



**DAKSHIN HARYAN BIJLI  
VITRAN NIGAM**

**TECHNICAL DIARY**

**'OP' CIRCLE**

**FARIDABAD**

**(AS ON 31-03-2007)**

## INDEX

<b>Sr. No.</b>	<b>Description</b>	<b>Page No.</b>
1	District Wise / Division Wise S/Stn. Abstract	1
2	District Wise / Division Wise S/Stn. Detail	.2-3
3	Detail of 11 KV Feeders	.4-11
4	Important Telephone of District Administration	.12.
5	Power Map	13
6	Single Line Diagram of 220/132/66/33 KV S/Stns.	.14-31
7	Telephone No.of DHBVN Circle Administration	.32-40
8	Transmission Line Data	41
9	Division Wise 11 KV Feeders Load Detail	.42-48
10	Division Wise 33 KV S/Stn. Load Detail	49
11	Capacitor Bank Detail	50-51

1	Division Wise Sub-Stations						
Faridabad District							
Sr. No	Name of Divn.	No. of S/Stn.in KV					Total
		400	220	132	66	33	
1	Old Faridabad	-	1	-	7	2	10
2	OP Faridabad	-	-	-	4	-	4
3	Ballabgarh	1	2	-	11	1	15
4	Palwal	-	1	-	7	-	8
	<b>Total</b>	<b>1</b>	<b>4</b>		<b>29</b>	<b>3</b>	<b>37</b>

<b>2 District wise / Division Wise detail of Sub Station wise power T/F installed in respect of (OP) Circle Faridabad</b>			
<b>Sr. No.</b>	<b>Name of S/Stn.</b>	<b>Capacity of T/F in MVA</b>	<b>Voltage level in KV</b>
<b>Faridabad Divn</b>			
1	66 KV A-2	12.5/16	66/11
		12.5/16	66/11
		12.5/16	66/11
2	66 KV FCI	12.5/16	66/11
		12.5/16	66/11
		12.5/16	66/11
3	66 KV OSWAL	10	66/11
		12.5/16	66/11
4	66 KV DABRIWALA	12.5/16	66/11
<b>Old Faridabad</b>			
1	220 KV A3 PALLA	100	220/66
		100	220/66
		12.5/16	66/11
		12.5/16	66/11
		12.5/16	66/11
		8	66/33
2	66 KV A-4	12.5/16	66/11
		12.5/16	66/11
		10/12.5	66/33
3	66 KV NH-3	10/12.5	66/11
		6	66/11
4	66 KV S/STN SECTOR-	12.5/16	66/11
5	66 KV SECTOR-31	12.5/16	66/11
		12.5/16	66/11
6	66 KV FORD	12.5/16	66/11
		12.5/16	66/11
7	66 KV USA	10/12.5	66/11
8	66 KV BHOPANI	12.5/16	66/11
9	33 KV M/ROAD	6.3	33/11
		6.3	33/11
10	33 KV ESCORTS	4	33/11
		4	33/11
		6.3	33/11
<b>Ballabgarh Divn.</b>			
1	400 KV Samaypur	3X315	400/220
2	220 KV Ballabgarh	3X100	220/66
		1X20+16	66/33
		1X10/12.5	66/11
3	220 KV PALI	45/60	220/66
		7.5	66/11
4	66 KV S/STN BADROLA	12.5/16	66/11
		10/12.5	66/33
5	66 KV JHAR SETELY	12.5/16	66/11
		12.5/16	66/11
6	66 KV HYDERABAD	12.5/16	66/11
		12.5/16	66/11
7	66 KV DHOIJ	12.5/16	66/11
		12.5/16	66/11
8	66 KV NORTHERN	12.5/16	66/11
9	66 KV ESCORTS-II	12.5/16	66/11
10	66 KV G/STEEL	10/12.5	66/11
11	66 KV A-5	12.5/16	66/11
		12.5/16	66/11

12	66 KV PARTAP STEEL	7.5	66/11
13	66 KV IDGAH	10/12.5	66/11
		12.5/16	66/11
14	66 KV CHHAINSA	12.5/16	66/11
15	33 KV FATEHPUR	5	33/11
<b>Palwal Divn.</b>			
1	220 KV Megpur PWL	100	220/66
		100	220/66
		12.5/16	66/11
2	66 KV HODAL	12.5/16	66/11
		8	66/11
3	66 KV CHANDHUT	12.5/16	66/11
4	66 KV PALWAL	10	66/11
		12.5/16	66/11
		12.5/16	66/11
5	66 KV HASSANPUR	12.5/16	66/11
6	66 KV Allawalpur	12.5/16	66/11
7	66 KV AURANGABAD	12.5/16	66/11
8	66 KV Bhagola	12.5/16	66/11

<b>3</b>		<b>DETAILS OF 11 KV FEEDERS OF FARIDABAD CIRCLE</b>						
<b>Faridabad District</b>								
<b>Sr. No.</b>	<b>Name of Divn.</b>	<b>Rural</b>	<b>Urban</b>	<b>Independent</b>	<b>Industrial</b>	<b>Essential</b>	<b>Mixed</b>	<b>Total</b>
1	Faridabad	-	28	-	19	-	-	47
2	Old Faridabad	6	55	-	31	-	-	92
3	Balabgarh	28	26	-	44	-	-	98
4	Palwal	36	9	-	10	-	-	55
	<b>Total</b>	<b>70</b>	<b>118</b>	<b>-</b>	<b>104</b>	<b>-</b>	<b>-</b>	<b>292</b>

**Detail of 11 KV feeders whether Urban, Rural, Industrial & independent under (OP) Circle Faridabad**

Sr No.	Name of S/Stn.	11 KV Feeder	Nature of Feeder
--------	----------------	--------------	------------------

**OP DIVN. OLD FARIDABAD**

<b>1</b>	<b>33 KV M/ROAD</b>		
1		IND CLUTCH-AUTO	Indl
2		11 KV USHA SPINNING	Indl
3		SKN	Indl
4		SANTOSH	Indl
5		INTERLINKING USA	Indl
<b>2</b>	<b>33 KV ESCORTS</b>		
6		SECTOR-15-A	Urban
7		SECTOR-16-A	Urban
8		CKT. HOUSE	Urban
9		IND TELE. EXCH.	Indl
10		IND ESCORT-I	Indl
11		IND THOMSON	Indl
12		SECTOR-15-B	Urban
13		IND DELTON CABLE	Indl
<b>3</b>	<b>220 KV A3 PALLA</b>		
14		PALLA	Urban
15		TILPAT	Urban
16		ASHOKA	Urban
17		IND PETS	Indl
18		J.V.V.	Indl
19		L.F.M.	Indl
20		ESCORTS PALLA	Indl
21		TALBROS	Indl
22		I.G.C.	Indl
23		SECTOR-28 (NHPC)	Urban
24		SECTOR-37	Urban
25		K. KALAN	Rural
26		D.L.F.	Urban
27		N.A.P.	Urban
28		S.A.P.	Urban
<b>4</b>	<b>66 KV A-4</b>		
29		NEW SECTOR-16	Urban
30		CITY	Urban
31		SECTOR-17	Urban
32		SECTOR-18	Urban
33		BHOOD COLONY	Urban
34		IND SUNFLAG	Indl
35		PUBLIC HEALTH A-4	Urban
36		KHERI KALAN	Rural
37		SECTOR-19	Urban
38		INDRA COMPLEX	Urban
39		MCF DISPOSAL	Indl
40		BASELWA	Urban

<b>5</b>	<b>66 KV NH-3</b>		
41		O/G NH-4	Urban
42		S.G.M. C	Urban
43		S.G.M. B	Urban
44		SAINIK COLONY-1	Urban
45		BADKHAL	Urban
46		PNB/NEHRU GROUND	Urban
47		METRO FEEDER	Urban
48		ESI	Indl
49		SAINIK COLONY-2	Urban
50		B.K.Hospital	Indl
<b>6</b>	<b>66 KV S/STN SECTOR-46</b>		
51		SECTOR 21-D	Urban
52		SECTOR 21-A & B	Urban
53		SECTOR 21-C	Urban
54		MEWLA M.PUR	Urban
55		SECTOR-46	Urban
56		GREEN FIELD 1	Urban
57		GREEN FIELD 2	Urban
<b>7</b>	<b>66 KV SECTOR-31</b>		
58		SECTOR-28 P-I	Urban
59		SECTOR-29	Urban
60		DLF	Urban
61		SECTOR-31	Urban
62		SECTOR-28 P-II	Urban
63		HSIDC	Indl
64		SHAHI EXPORT	Indl
65		SECTOR-27/NEW CITY	Urban
66		HAVELS	Indl
67		ESCORTS	Indl
<b>8</b>	<b>66 KV FORD</b>		
68		IND ESCORT-III	Indl
69		NEW SECTOR-15	Urban
70		SECTOR-14 MKT	Urban
71		IND ESCORTS FORD	Indl
72		SECTOR-9 WEST	Urban
73		PRERNA DHAM	Urban
74		IND I.O.C.	Indl
75		SECTOR-14	Urban
76		SECTOR-9 EAST	Urban
77		SECTOR-16	Urban
78		IND P/HEALTH FORD	Indl



<b>9</b>	<b>66 KV USA</b>		
79		S/KUND	Urban
80		BHARAT CARPET	Indl
81		S.O.S. BALGRAM	Urban
82		M/ROAD INTERLINKING	Indl
83		IND J/STEEL	Indl
84		11 KV NHPC	Urban
85		A/PUR	Urban
86		E/GARDEN	Urban
87		TOURIST COMPLEX	Urban
<b>10</b>	<b>66 KV BHOPANI</b>		
88		MAHATPUR FEEDER	Rural
89		BHOPANI	Rural
90		JASANA FEEDER	Rural
91		IND VASUNDRA	Indl
92		NACHOLI	Rural

#### OP Divn. Faridabad

<b>1</b>	<b>66 KV A-2</b>		
1		IND XPRO INDIA	Indl
2		RING MAIN-III	Urban
3		TOWN SHIP	Urban
4		IND LAUL MILL	Indl
5		PUBLIC HEALTH	Indl
6		THERMAL COLONY	Urban
7		PNB/NEHRU GROUND	Urban
8		NH. 5	Urban
9		SANJAY COLONY	Urban
10		TIKONA PARK	Urban
11		NEELAM	Urban
12		RING MAIN I	Urban
13		IND KELVINATOR	Indl
14		IND ESCORTS	Indl
15		RINGMAIN-II	Urban
16		IND ESCORT HOSPITAL	Indl
17		MUJESAR	Urban
<b>2</b>	<b>66 KV FCI</b>		
18		S.G.M. NAGAR	Urban
19		O/G NH-III	Urban
20		PARBATIA COLONY	Urban
21		RING ROAD	Urban
22		PALI	Urban
23		KAPRA COLONY	Urban
24		HARD WARE	Indl
25		NH-I	Urban
26		O/G NH.-2	Urban
27		JANTA COLONY	Urban
28		O/G Outer Road	Urban
29		JAWAHAR COLONY-I	Urban
30		IND AIR FORCE	Indl
31		JAWAHAR COLONY-II	Urban
32		DABUA COLONY	Urban
33		Pali Road	Urban

<b>3</b>	<b>66 KV OSWAL</b>		
34		ROLLING MILL	Indl
35		SANJAY COLONY	Urban
36		IND HINDUSTAN WIRE	Indl
37		SAPNA TEXTILE	Indl
38		IND LAKHANI	Indl
39		IND INVEL	Indl
40		EICHER COLONY	Urban
<b>4</b>	<b>66 KV DABRIWALA</b>		
41		SECTOR- 24	Indl
42		COTTON MILL	Indl
43		SECTOR-22 & 23	Urban
44		IND JAYCO	Indl
45		INDUSTRIAL DABRIWALA	Indl
46		IND PUNJAB INDS.	Indl
47		F.S.I.A.	Indl

#### OP Divn. Ballabgarh

<b>1</b>	<b>66 KV S/STN BADROLA</b>		
1		PANHERA	Rural
2		DALALPUR	Rural
3		TIGAON	Rural
4		ARWA	Rural
5		NEEMKA	Rural
6		MANJHAWALI	Rural
7		CHANDPUR/ATALI	Rural
8		KURALI	Rural
<b>2</b>	<b>66 KV JHAR SETELY</b>		
9		SEEKRI	Rural
10		IND IOC	Indl
11		SUNFED	Urban
12		IND ORIENT STEEL	Indl
13		HUDA SEC-58	Indl
14		11 KV JCB	Indl
15		IRCON	Indl
16		AUTO METER	Indl
17		IND M.M. CASTING	Indl
18		HSIDC	Indl
19		IND B/PETROLIUM	Indl
20		SECTOR-59 FDR	Indl
<b>3</b>	<b>66 KV HYDERABAD</b>		
21		INDUSTRIAL H/BAD	Indl
22		TELEFUNKEN	Indl
23		SECTOR-55	Urban
24		N/HIGHWAY	Indl
25		PHEALTH H/BAD	Indl
26		IND HIGH POLYMER	Indl
27		IND NTPC	Indl
28		BHAGWATI OXY.	Indl
29		CONT.PROCESS	Indl
30		IND HYDRABAD	Indl
31		GOUNCHI	Urban
32		NEW 11KV SAMAYPUR	Rural
33		IND. Teekam Saha	Indl
34		OSWAL GLOBLE	Indl

<b>4</b>	<b>66 KV DHOIJ</b>		
35		PAKHAL	Rural
36		O/G ckt-3	Indl
37		O/G C-4	Indl
38		D-1 DHOIJ	Indl
39		D-1 DHOIJ	Indl
40		O/G DHOIJ	Rural
41		O/G Ckt-1	Indl
42		O/G Ckt-2	Indl
<b>5</b>	<b>66 KV NORTHERN INDIA</b>		
43		IND VXL	Indl
44		IND ORIENT GENERAL	Indl
45		IND HEINLEHMAN	Indl
46		IND BHATIA CUTTER HAMMER	Indl
47		BONEY	Indl
48		SANJAY MEMORIAL	Indl
49		11 KV SOHNA ROAD	Urban
<b>6</b>	<b>66 KV ESCORTS-II</b>		
50		IND ESCORTS MSD	Indl
51		IND GEMOTER	Indl
52		INTERLINKING	Indl
53		SECTOR-20B	Urban
54		SECTOR-11	Urban
<b>7</b>	<b>66 KV G/STEEL</b>		
55		IND STAR WIRE (EXPORT)	Indl
56		CIVIL HOSPITAL	Urban
<b>8</b>	<b>66 KV A-5</b>		
57		MIRJAPUR DISPOSAL	Rural
58		SECTOR-10	Urban
59		RAGHUVVEER COLONY	Urban
60		MOHNA ROAD	Urban
61		DEEG.	Rural
62		IND E.S.I.	Urban
63		HOUSING BOARD	Urban
64		IND P/HEALTH M/DISPOSAL	Urban
65		SECTOR-8 MCF	Urban
66		SECTOR-8	Urban
67		BALLABGARH-I	Urban
68		SECTOR-3	Urban
69		TIGAON FEEDERS	Urban
<b>9</b>	<b>66 KV PARTAP STEEL</b>		
70		SECTOR-6-II	Indl
71		SECTOR-4	Urban
72		GURGAON CANAL	Urban
<b>10</b>	<b>66 KV IDGAH</b>		
73		SECTOR-6-1	Indl
74		SOVERN	Indl
75		CHAWLA COLONY	Urban
76		SECTOR-7	Urban
77		IND B.D. GHAI	Indl
78		BALLABGARH-III	Urban
79		IND C.R.I.	Indl
80		P/HEALTH IDGAH	Indl
81		IND SHAYAM TEXTILE	Indl
82		SECTOR-4	Urban

<b>11</b>	<b>66 KV CHHAINSA</b>		
83		NARYALA	Rural
84		CHHAINSA	Rural
85		ATALI	Rural
86		NARAHWALI	Rural
87		KHADAR	Rural
88		MOHNA	Rural
89		JALAKA FEEDER	Rural
90		11 KV SHEIKHPUR	Rural
91		P/HEALTH - I CHHAINSA	Rural
92		P/HEALTH - II CHHAINSA	Rural
<b>12</b>	<b>220 KV PALI</b>		
93		BHAKRI FEEDER	Urban
94		Bajri FEEDER	Urban
<b>13</b>	<b>33 KV FATEHPUR BILIOCH</b>		
95		FATEHPUR	Rural
96		DAYALPUR	Rural
97		PANHERA	Rural
98		JAWAN	Rural

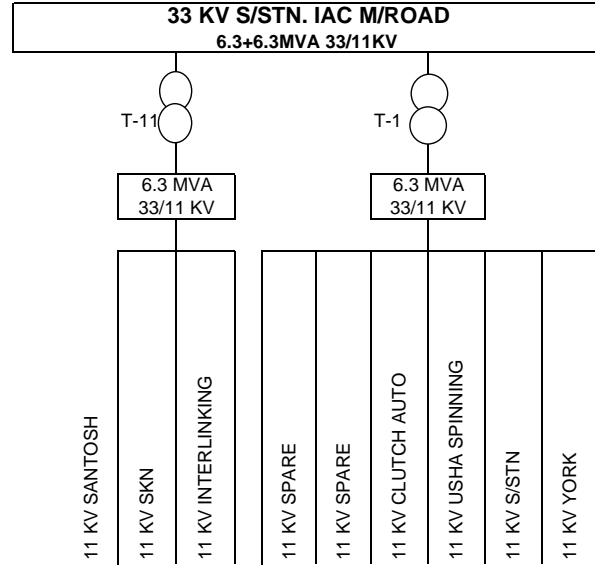
#### OP Divn. Palwal

<b>1</b>	<b>66 KV HASSANPUR</b>		
1		HASSANPUR	Rural
2		KASHIPUR	Rural
3		TAPPA	Rural
4		BHIDUKI	Rural
5		KHAMBHI	Rural
<b>2</b>	<b>220 KV Megpur PWL</b>		
6		DHATIR	Rural
7		RURAL(PWL)	Rural
8		IND DOABA MILK PLANT	Indl
9		IND BALLARPUR PALWAL	Indl
10		PRITHLA I/A	Indl
11		PATLI GATE	Urban
12		HUDA SEC-2	Urban
13		DUDHOLA	Rural
14		TEHERKI	Rural
15		11KV STP	Indl
<b>3</b>	<b>66 KV HODAL</b>		
16		O/G HODAL-1	Urban
17		HODAL-2	Urban
18		AURANGABAD	Rural
19		BAHIN	Rural
20		BHIDUKI	Rural
21		BORAKA	Rural
22		DABCHIK	Rural
23		HODAL-3	Urban
24		BAHIN W/S	Rural
<b>4</b>	<b>66 KV CHANDHUT</b>		
25		G HORI	Rural
26		SUJAWARI	Rural
27		MEESA	Rural
28		BAROLI	Rural
29		CHANDHUT	Rural
30		11 KV DSPI	Indl

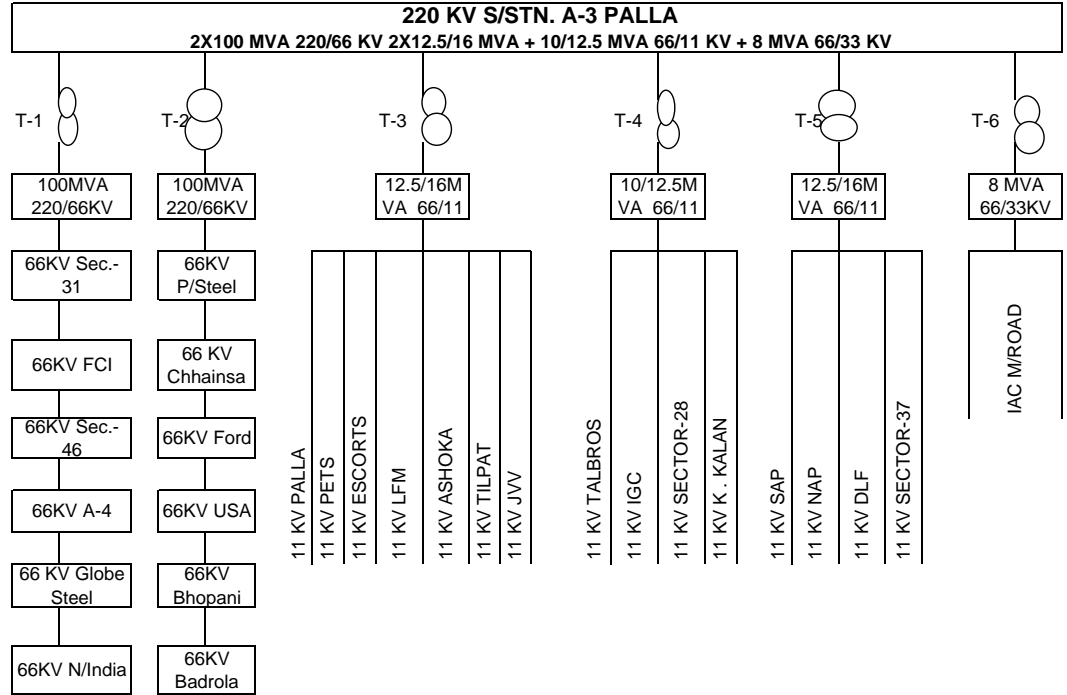
<b>5</b>	<b>66 KV PALWAL</b>		
31		ALLAWALPUR	Rural
32		PELAK PUMP HOUSE	Rural
33		CITY-III	Urban
34		SIHOLE	Rural
35		I.T.I.	Urban
36		BAMNI KHERA	Rural
37		BATA	Rural
38		CITY-I	Urban
39		CITY-II	Urban
40		PRITHLA	Rural
<b>6</b>	<b>66 KV Allawalpur</b>		
41		Katesra	Rural
42		Alawalpur	Rural
43		Lalpura	Rural
44		Pelak Pump House	Indl
45		Amarpur	Rural
46		SADARPUR	Rural
<b>7</b>	<b>66 KV AURANGABAD</b>		
47		BAMNI KHERA	Rural
48		AURANGABAD	Rural
49		IND BALLARPUR /SOLAKA	Indl
50		11 KV R.P.S VIKASH	Indl
<b>8</b>	<b>66 KV Bhagola</b>		
51		Harfali	Rural
52		Prithala INDL	Indl
53		Asawati	Rural
54		Tatarpur	Indl
55		Agwanpur	Rural

4 List of local Administration Phones						
Name of Office	Office	Resi	Mobile	Name of Office	office	Resi
<b>D.C. Faridabad</b>	2227935	2227272	9999376788	<b>H.U.D.A</b>		
	2227936			Administrator	4007576	2290370
<b>FAX</b>		2226262		Fax	2227676	
A.D.C. Faridabad	2227922	2269200	9811201844	Estate Officer	2370086	2241419
City Magistrate	2227934		9871939318	<b>S.E., HUDA</b>	2220690	
SDM Faridabad	2227868	2414339	9910064140	Xen HUDA	2282911	2285634
SDM Ballabgarh	2304500	2241915	9873028990	District Town Planner	2285609	2326644
SDM Palwal	232700	232701		<b>S.E., Public Health</b>	2222828	
SDM Hodal	235836	235700		S.E.,ADV.,PWD B&R	2285396	
SDM Hathin	261480			Xen PWD B&R	2288187	
DPRO Faridabad	2285565	2245888		S.E. N.H.	2281164	2283074
DDPO	2227938	2280175	9891140121	Xen. N.H.	2241386	
<b>SSP Faridabad</b>	2226263	2285032	9911826001	<b>S.E. Irrigation</b>	2288016	2283205
ASP Faridabad	2226264		9811826002	Xen -do-	2288504	2222375
DSP H.Q	2226266		9811826003	Xen -do- Mech	2288078	2221960
DSP Ballabgarh	2242806	2286476	9811826006	Xen P. Health No. 1	2282481	2290940
DSP NIT			9811826005	Xen P. Health No. 2	2401685	2290940
DSP Palwal	232800	232821		Xen P.Health Palwal	259907	
DSP Hodal	235864	235834		<b>Hospitals</b>		
SHO Central	2285967		9911826013	CMO Faridabad	2415623	
Police Control room	100			B. K. Hospital	2416169	
	2280101			Ambulance	102	
SHO Mujessar	2232610		9911826016	Escort Hospital	2416096	
DRO	2227937				2416097	
<b>M.C.F. Faridabad</b>				ESI Hospital	2213032	
PBX	2415549			Civil Hospital BIP	2241362	
Commissioner, MCF	2416464	2416565				
<b>FAX:</b>	2416465					
Jt. Commissioner, Fbd	2411946	2264581		<b>Telephones</b>		
JT. Comm., oldFbd	2288174	2241605		G.M.	2280033	
	2284399			DGM	2286493	
Jt. Comm. Ballabgarh	2241849			D.E.T. Sec-23	2440000	
Mayor, MCF	2411914			SDO T Sec-23	2233521	
Camp Office				JE T. Sec-23	2232521	
S.E. MCF	2415549	2415260		Complaints, 198	2232198	
Xen. MCF	2415549			<b>Hotels</b>		
Xen MCF Old Fbd	2288174			Magpie- 2290404	2288083	2296789
Xen MCF Ballabgarh	2247525	2232650		Surajkund, Rajhans	2252054-57	
ZTO Faridabad	2415549	2427400		Fax	2252842	
ZTO Old Faridabad	2288174			Badhkal Lake	2246901	
ZTO Ballabgarh	2241849	2410626		Golf Club	2414810	
Financial Contoller	2415549			Hotal Delite		
G.M. Industries	2412990	2416191		Circuit House Sec-16	22882162	
District Session Judge	2286698	2295340				
Presi.Consumer Fourm	2262290	2262291				
Haryana Bhavan ND	23386131					

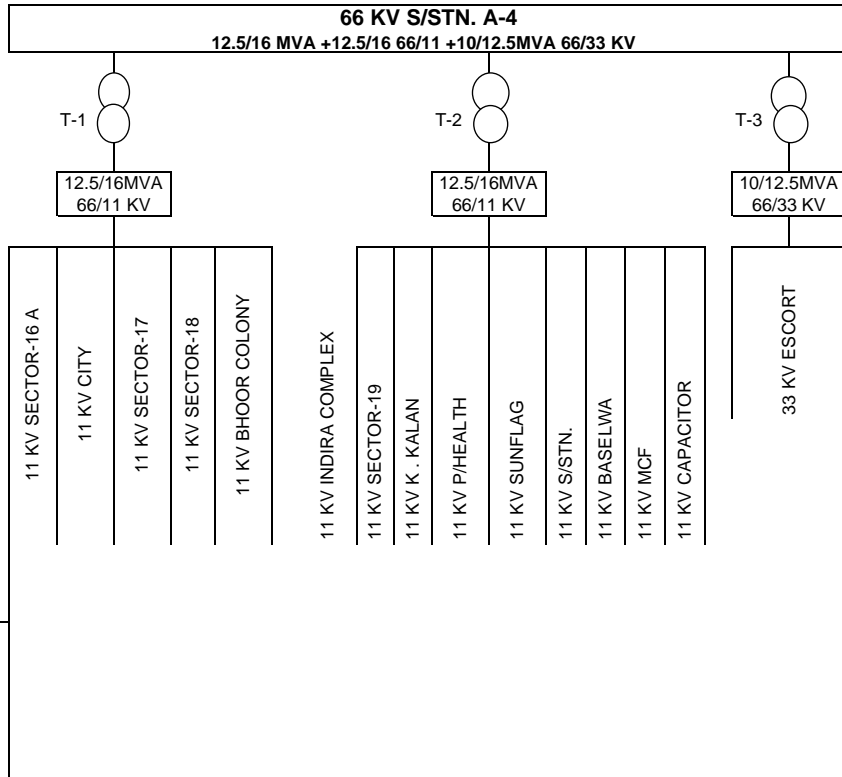
**SCHEMATIC DIAGRAM OF 33 KV SUB STATION IAC FBD**



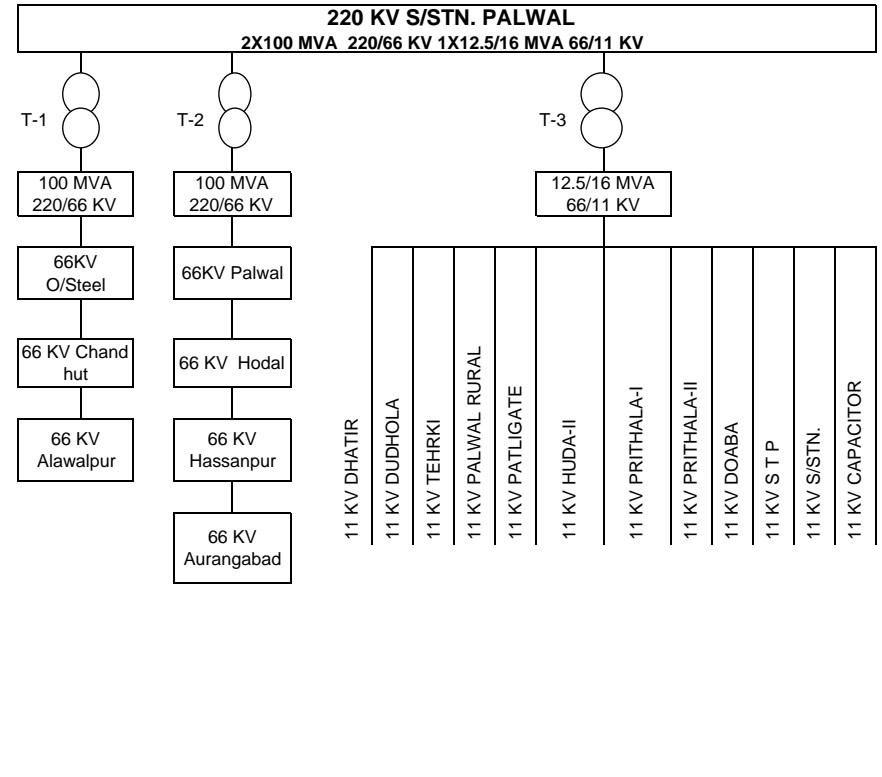
**SCHEMATIC DIAGRAM OF 220 KV SUB STATION A-3 PALLA**



**SCHEMATIC DIAGRAM OF 66 KV SUB STATION A-4**

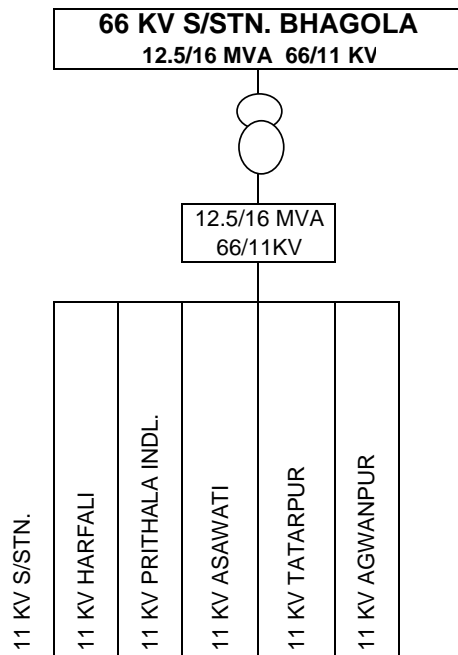


**SCHEMATIC DIAGRAM OF 220 KV SUB STATION PALWAL**

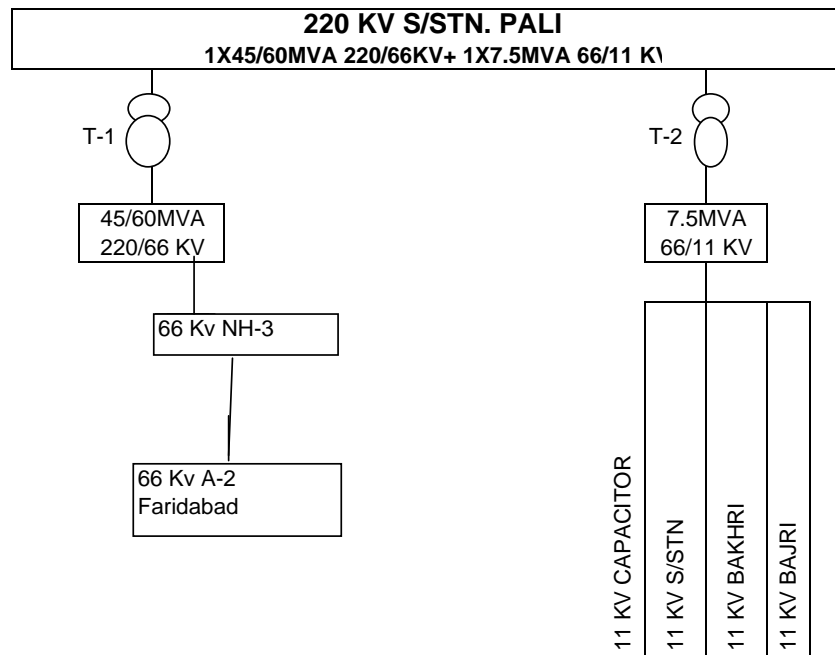


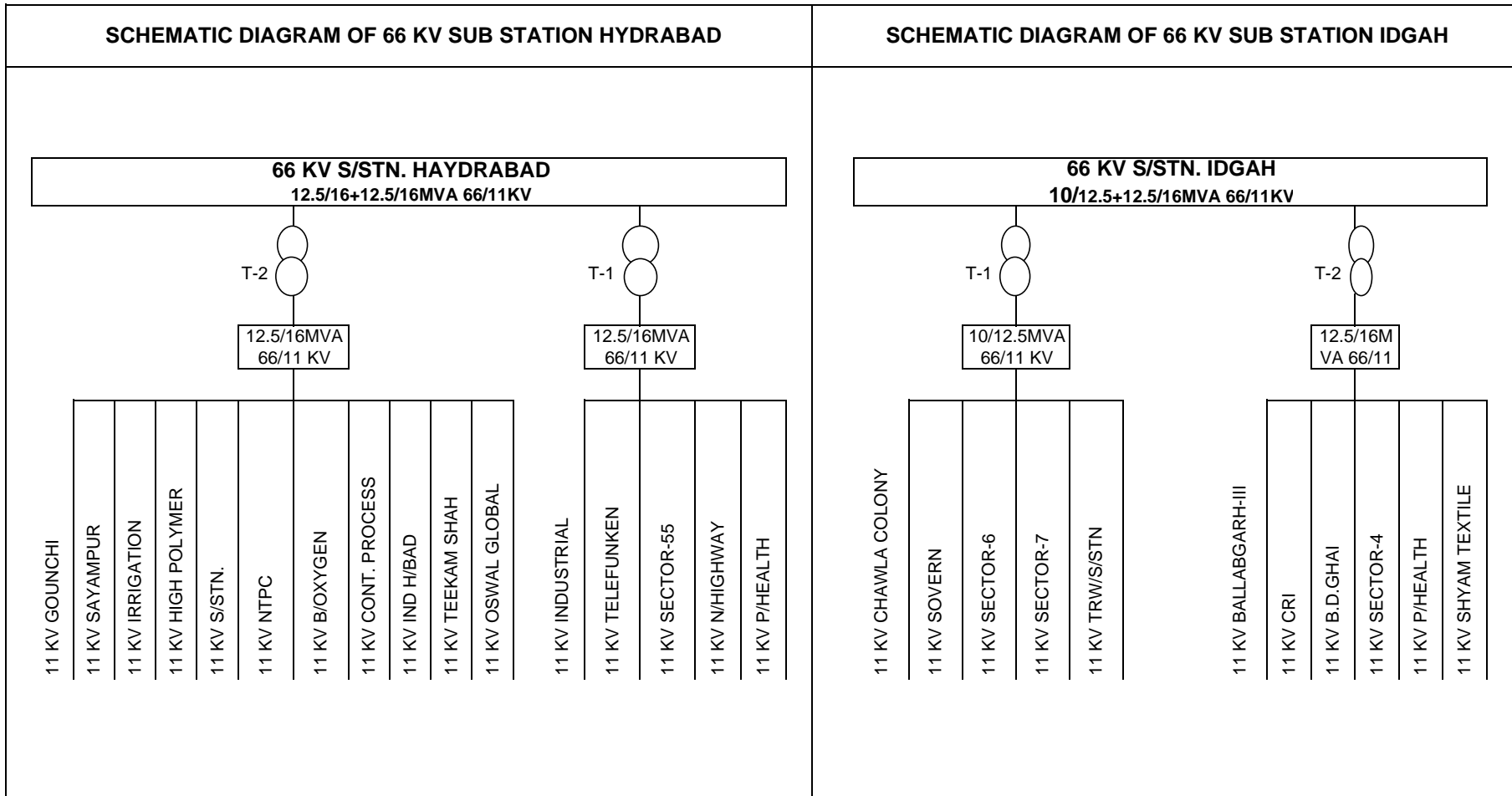


**SCHEMATIC DIAGRAM OF 66 KV SUB STATION BHAGOLA**

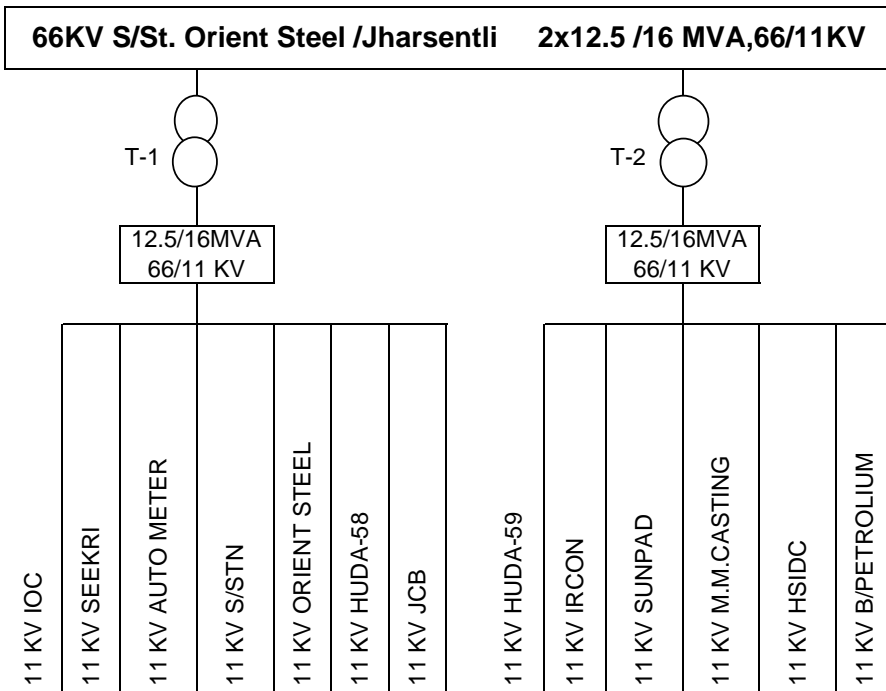


**SCHEMATIC DIAGRAM OF 220 KV SUB STATION PALI**

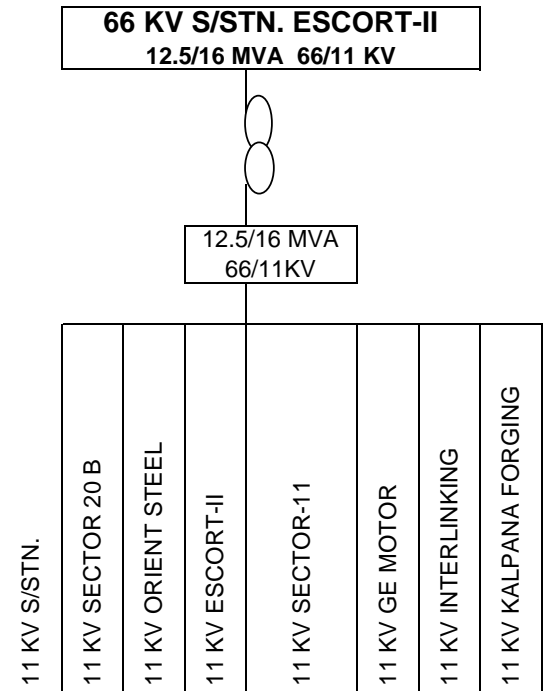




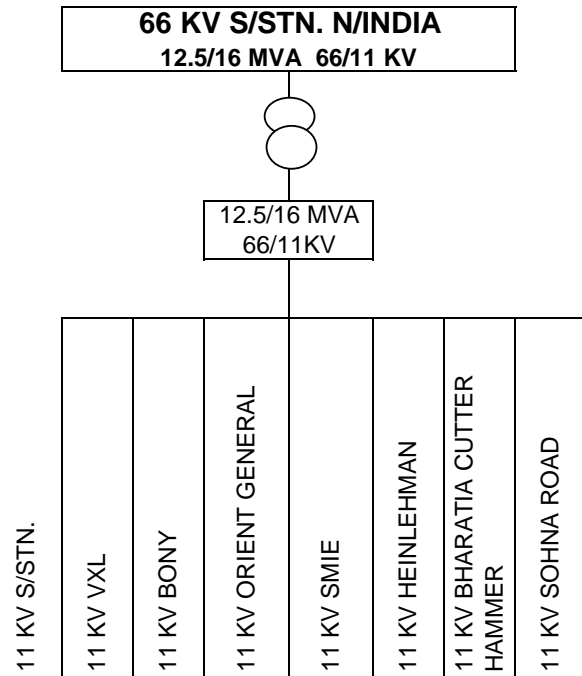
**SCHEMATIC DIAGRAM OF 66 KV SUB STATION ORIENT STEEL (JHARSETLY)**



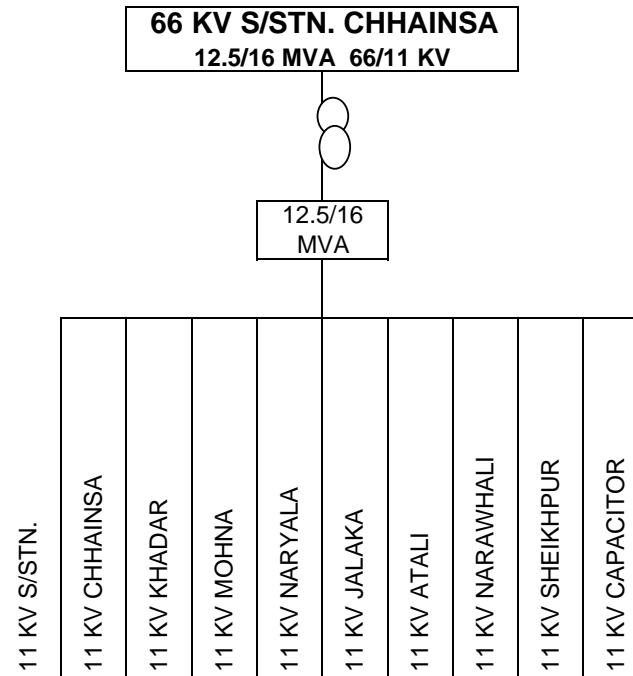
**SCHEMATIC DIAGRAM OF 66 KV SUB STATION ESCORT-II**



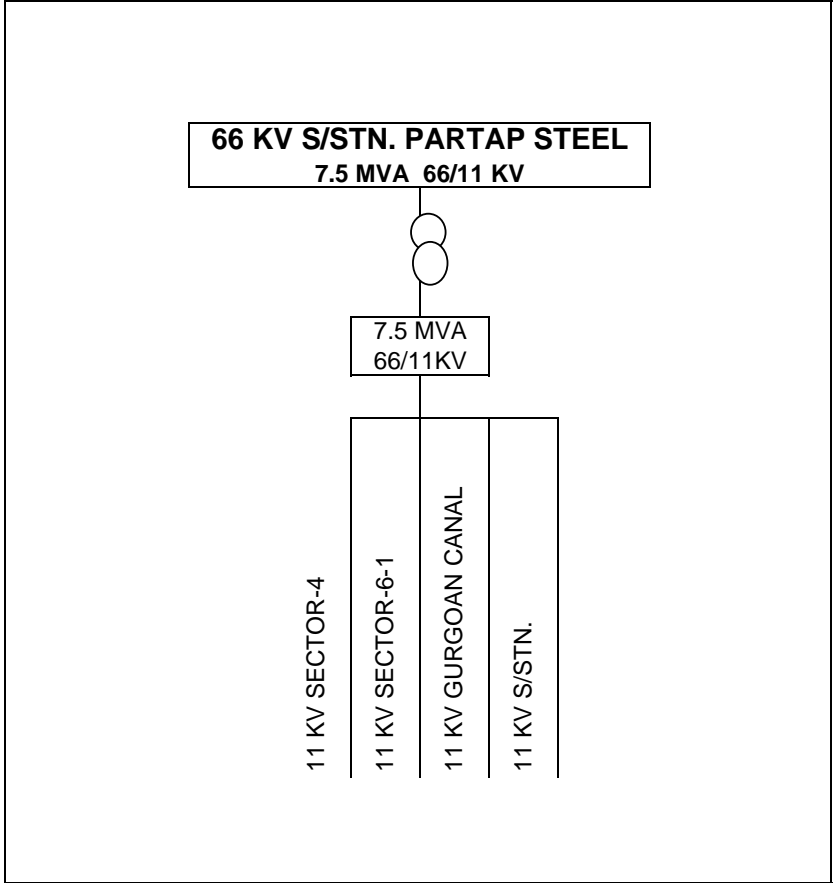
**SCHEMATIC DIAGRAM OF 66 KV SUB STATION N/INDIA**



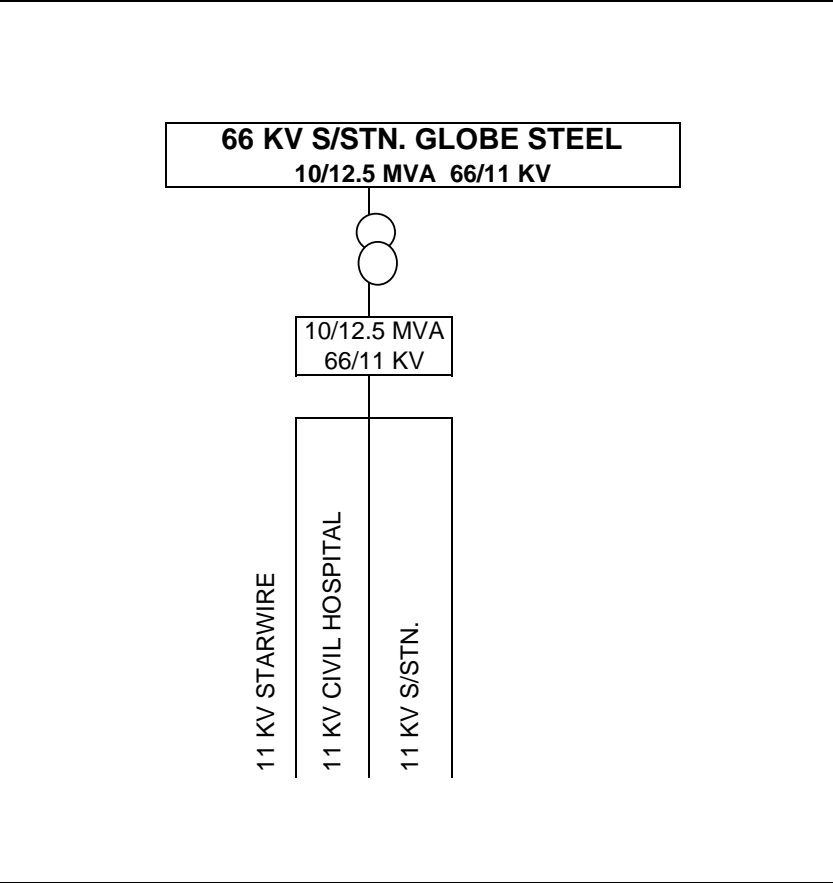
**SCHEMATIC DIAGRAM OF 66 KV SUB STATION CHHAINSA**



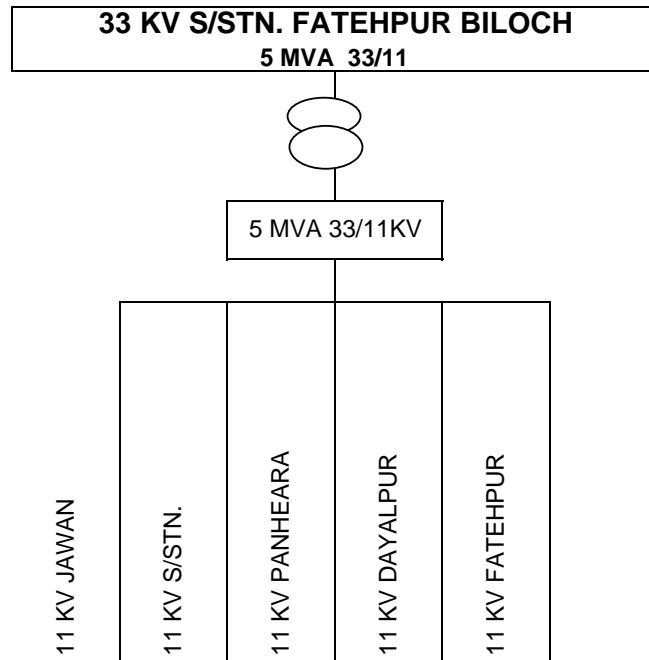
**SCHEMATIC DIAGRAM OF 66 KV SUB STATION PARTAP STEEL**



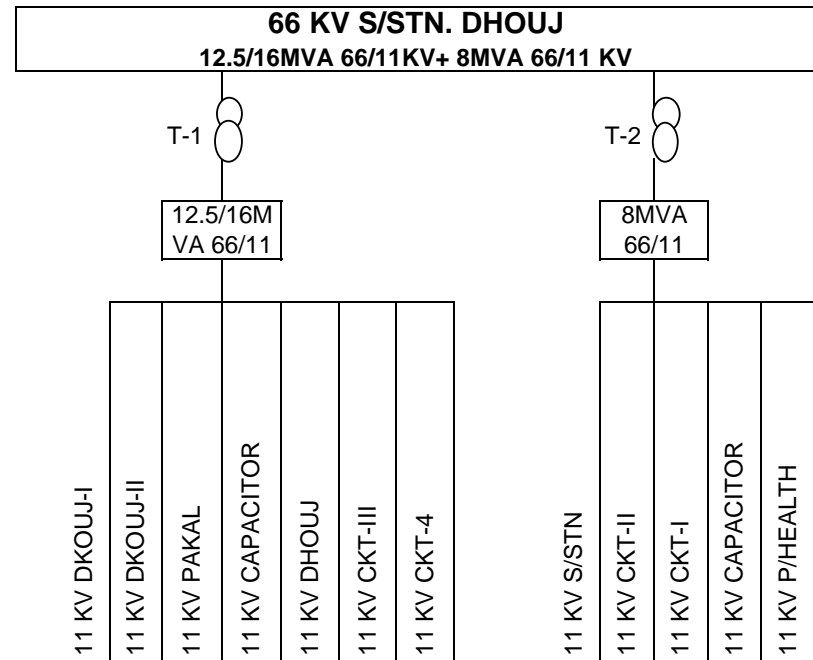
**SCHEMATIC DIAGRAM OF 66 KV SUB STATION GLOBE STEEL**



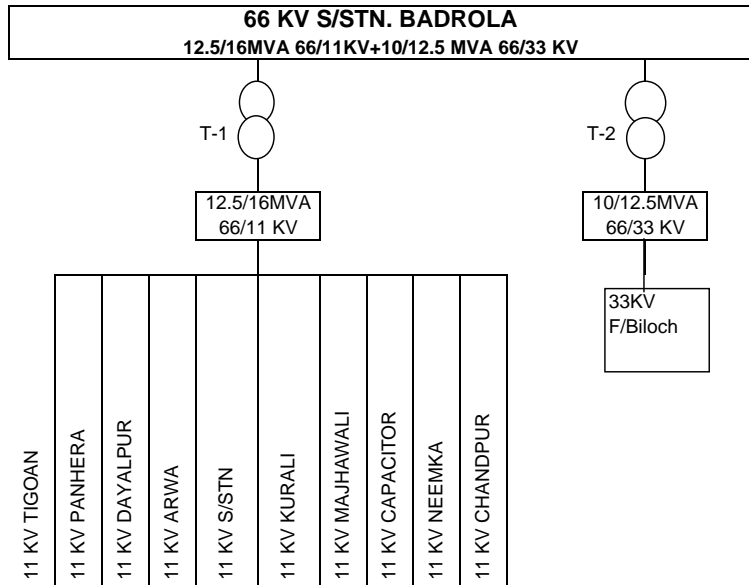
**SCHEMATIC DIAGRAM OF 33 KV SUB STATION FATEHPUR BILOCH**



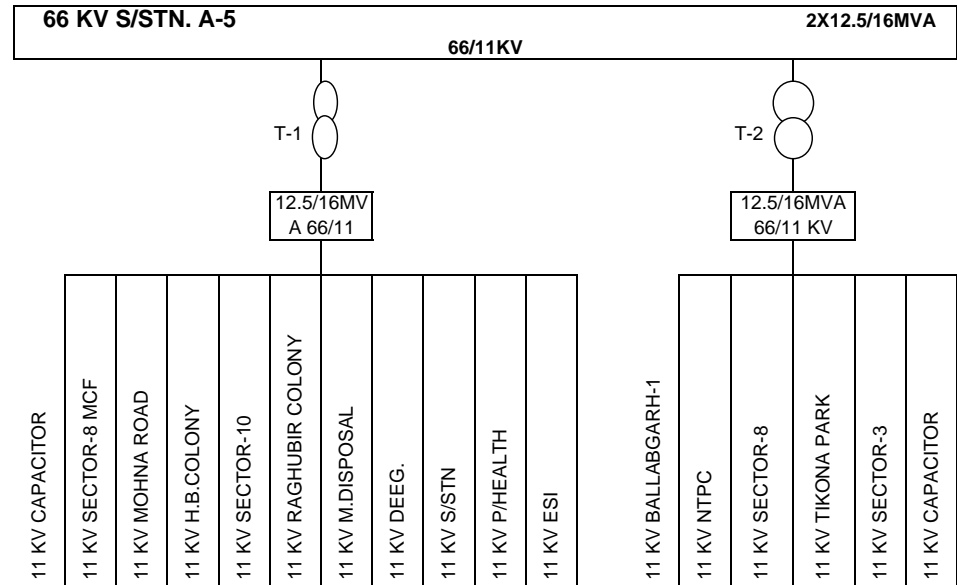
**SCHEMATIC DIAGRAM OF 66 KV SUB STATION DHOJJ**



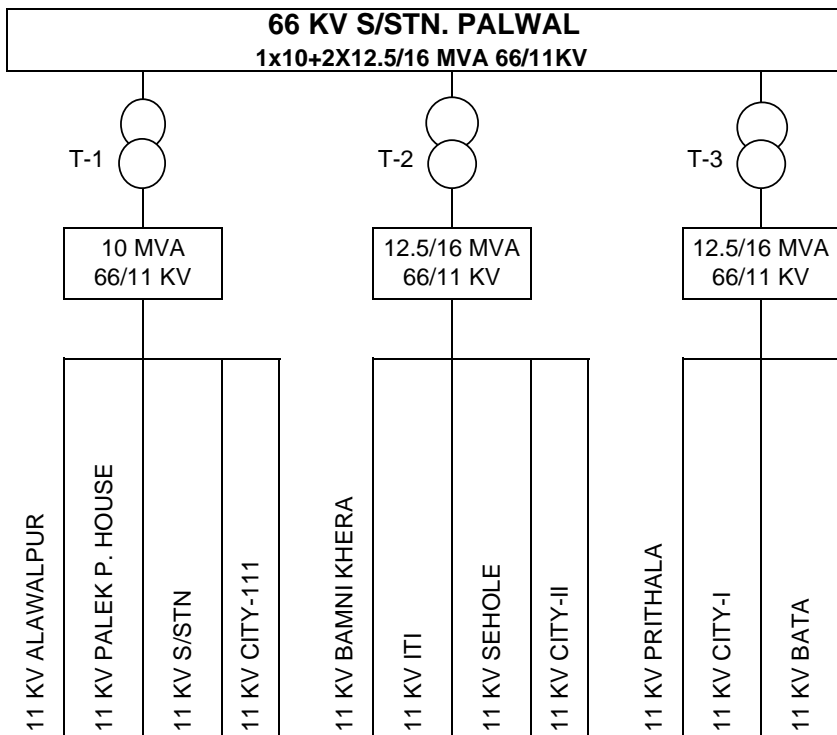
**SCHEMATIC DIAGRAM OF 66 KV SUB STATION BADROLA**



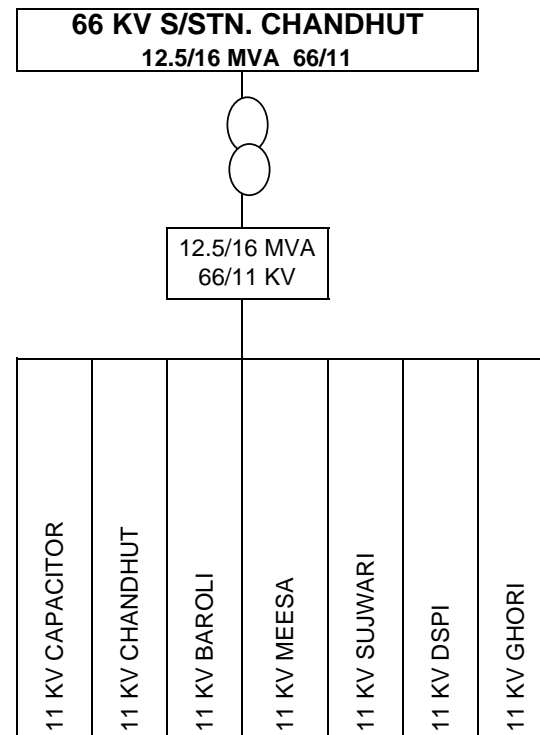
**SCHEMATIC DIAGRAM OF 66 KV SUB STATION A-5**



**SCHEMATIC DIAGRAM OF 66 KV SUB STATION PALWAL**

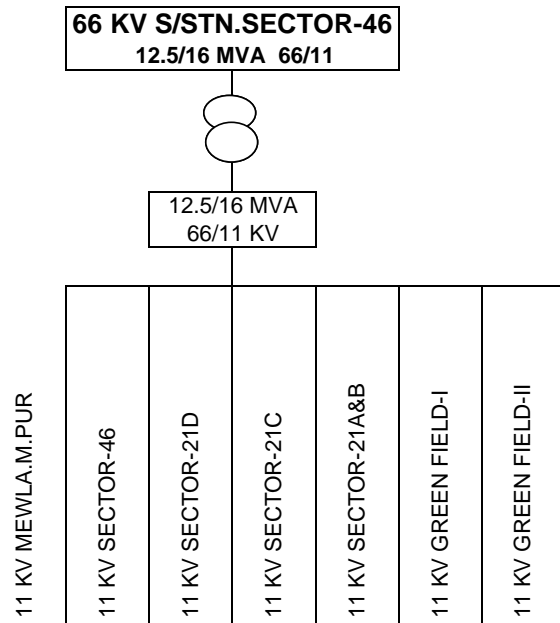


**SCHEMATIC DIAGRAM OF 66 KV SUB STATION CHANDHUT**

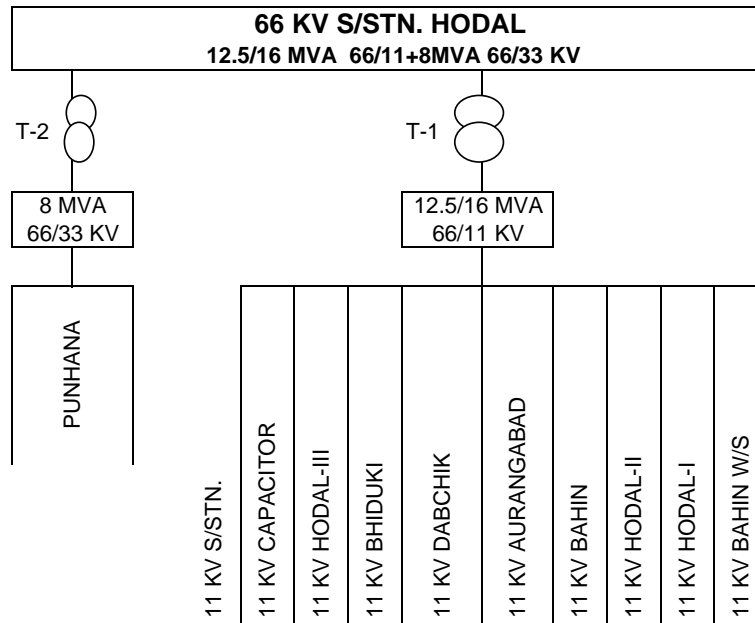




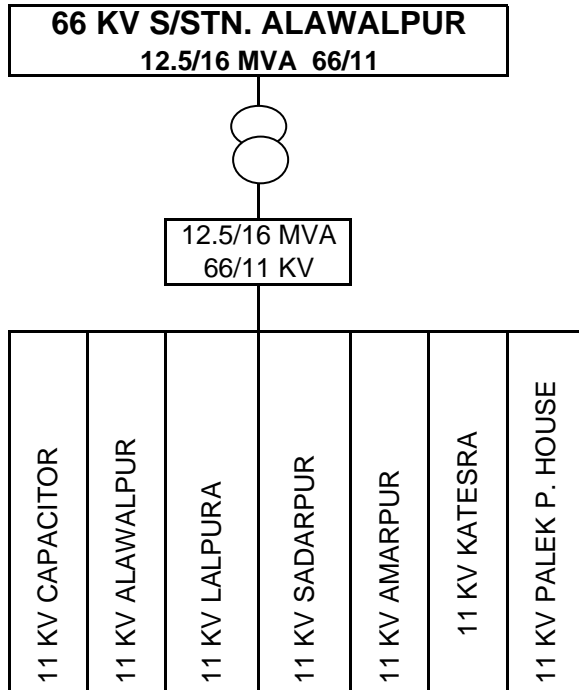
**SCHEMATIC DIAGRAM OF 66 KV SUB STATION SECTOR-46**



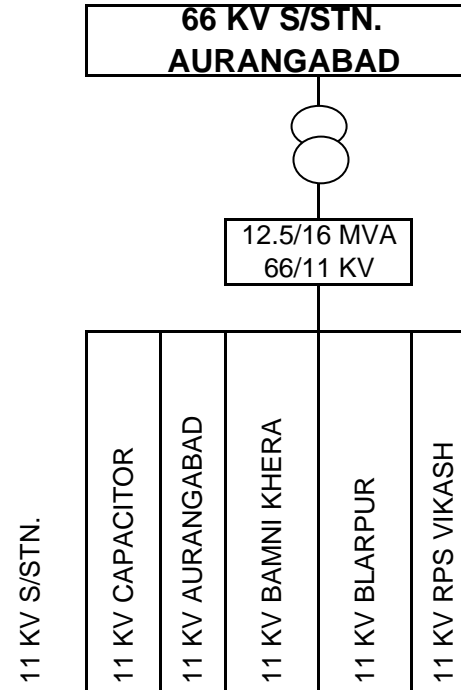
**SCHEMATIC DIAGRAM OF 66 KV SUB STATION HODAL**



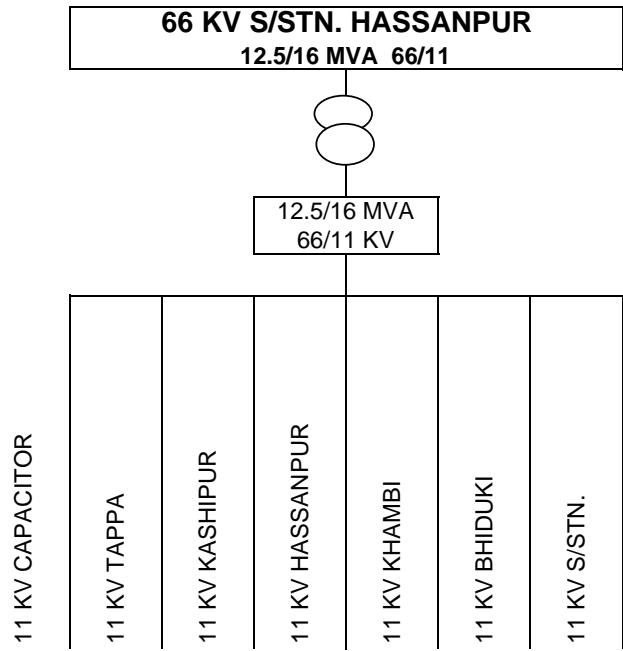
**SCHEMATIC DIAGRAM OF 66 KV SUB STATION  
ALAWALPUR**



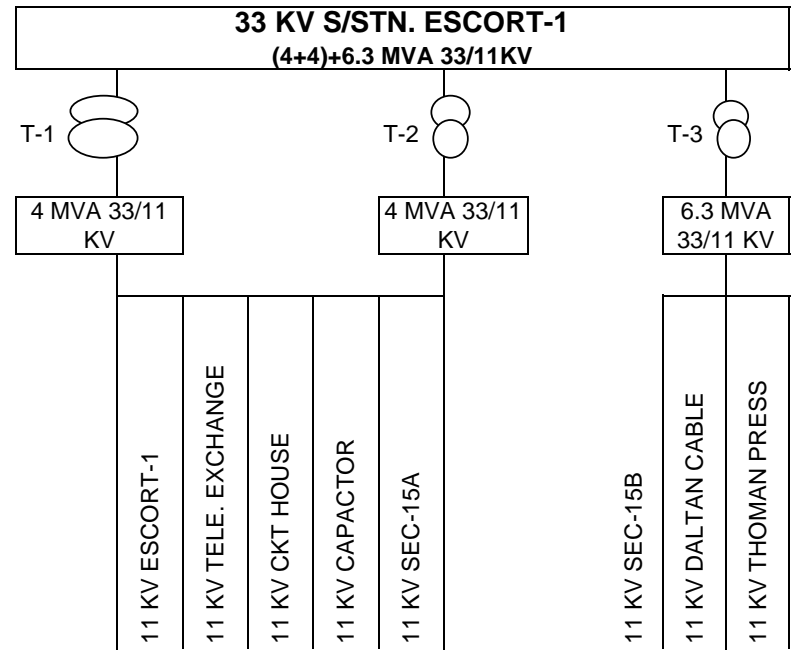
**SCHEMATIC DIAGRAM OF 66 KV SUB STATION  
AURANGABAD**



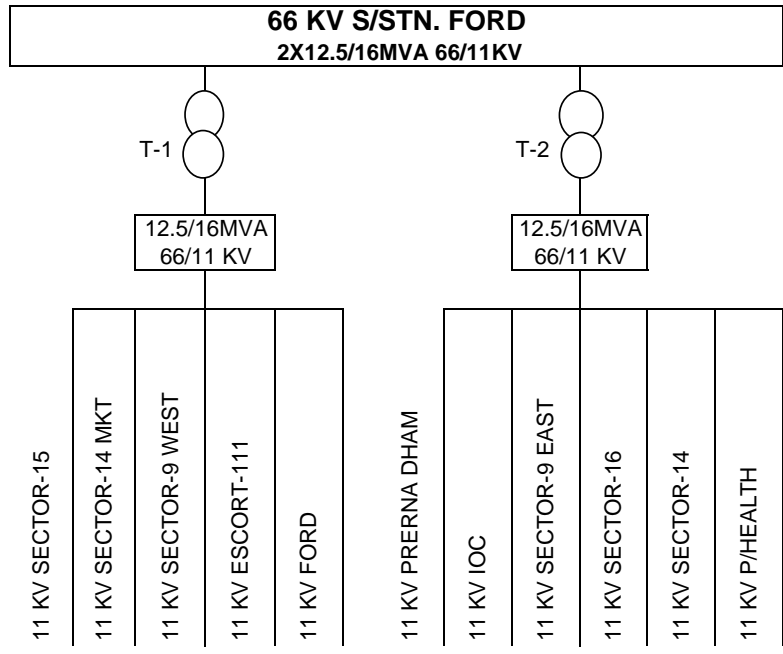
**SCHEMATIC DIAGRAM OF 66 KV SUB STATION HASSANPUR**



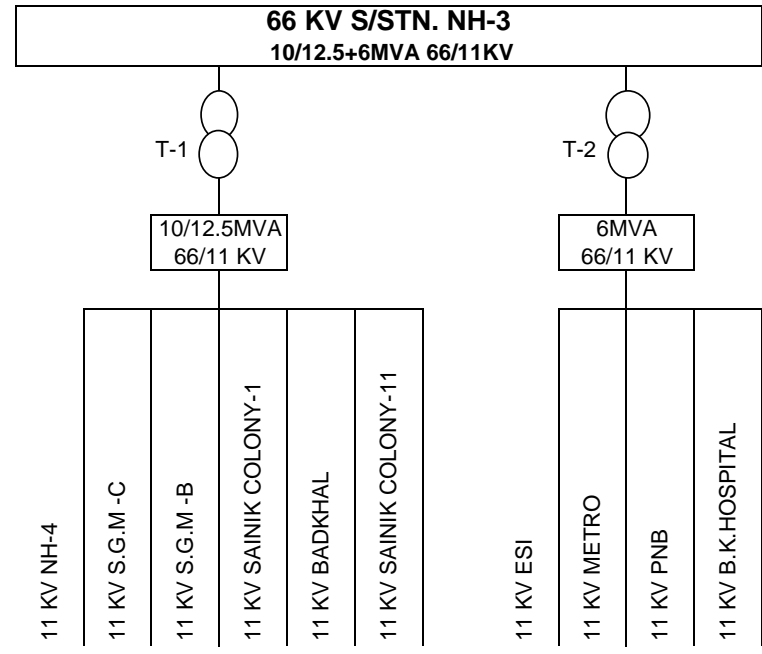
**SCHEMATIC DIAGRAM OF 33 KV SUB STATION ESCORT-1**

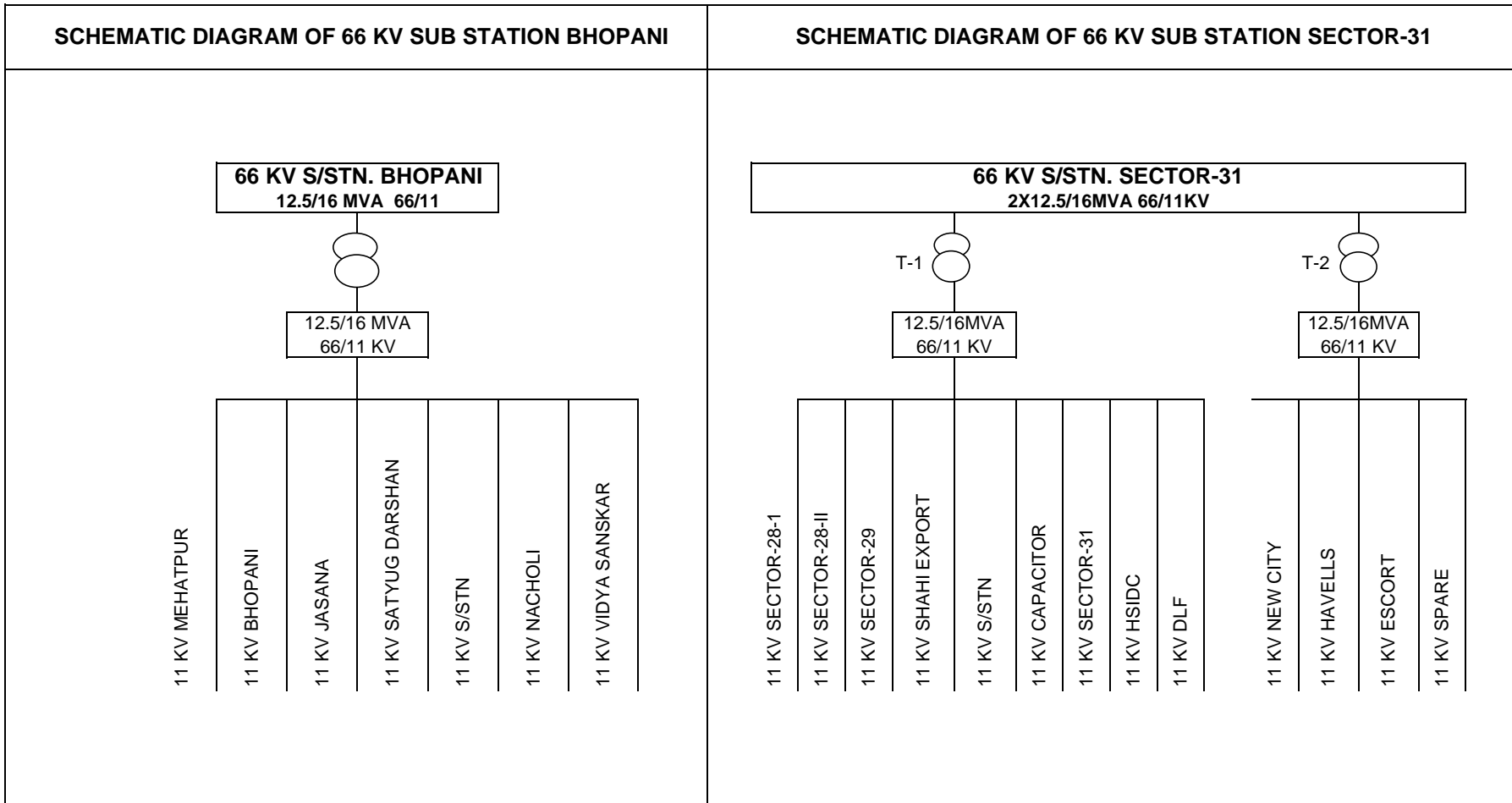


**SCHEMATIC DIAGRAM OF 66 KV SUB STATION FORD**



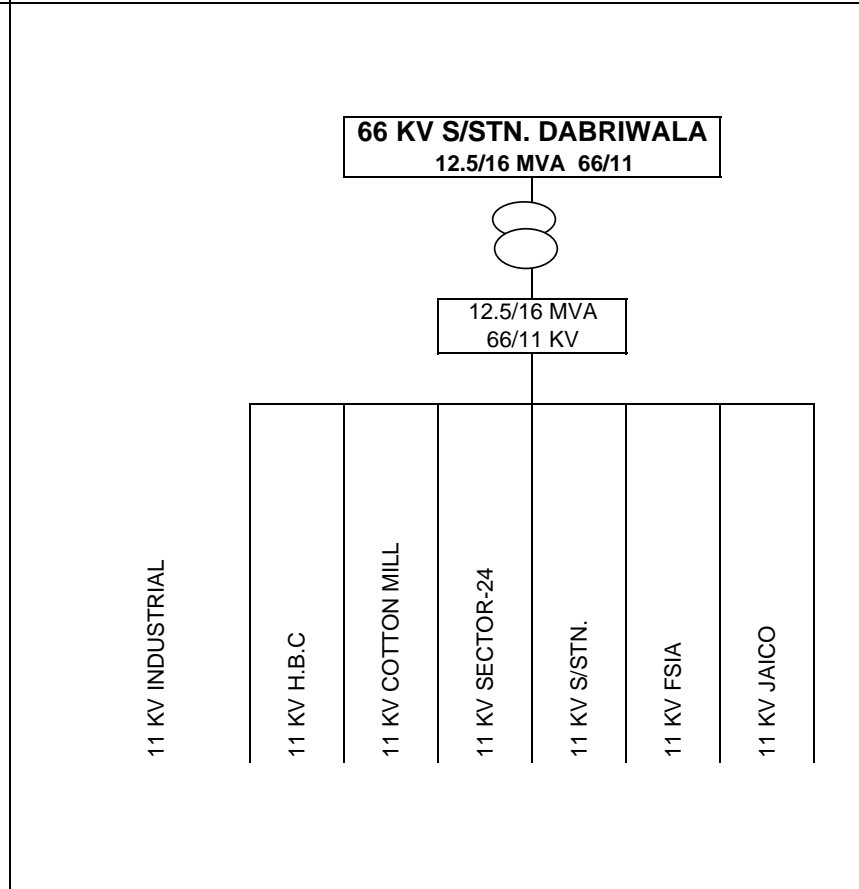
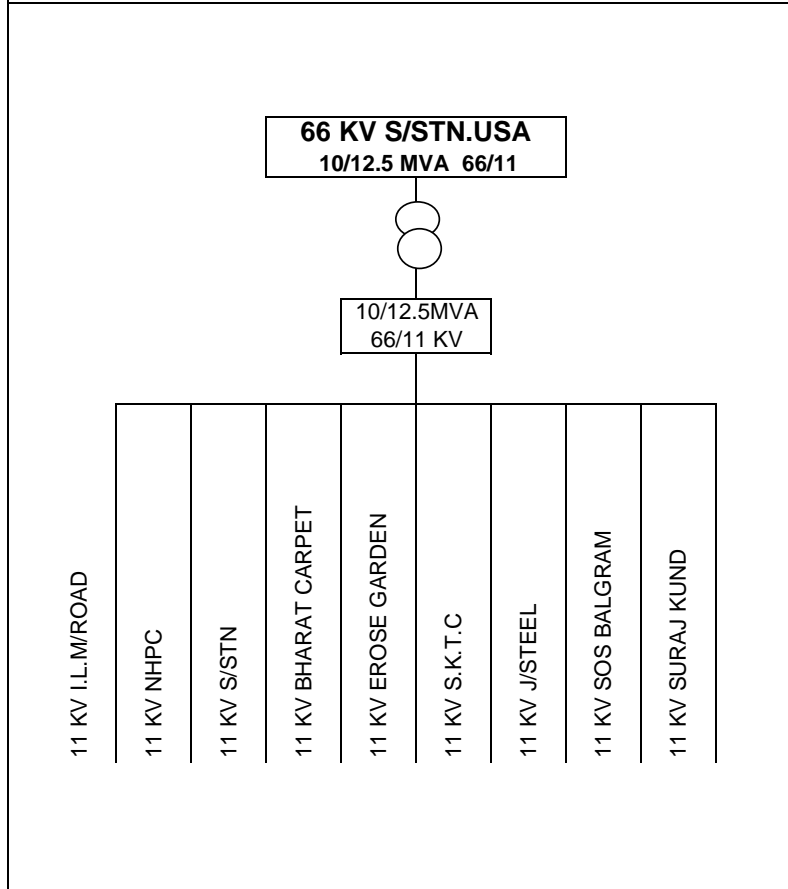
**SCHEMATIC DIAGRAM OF 66 KV SUB STATION NH-3**



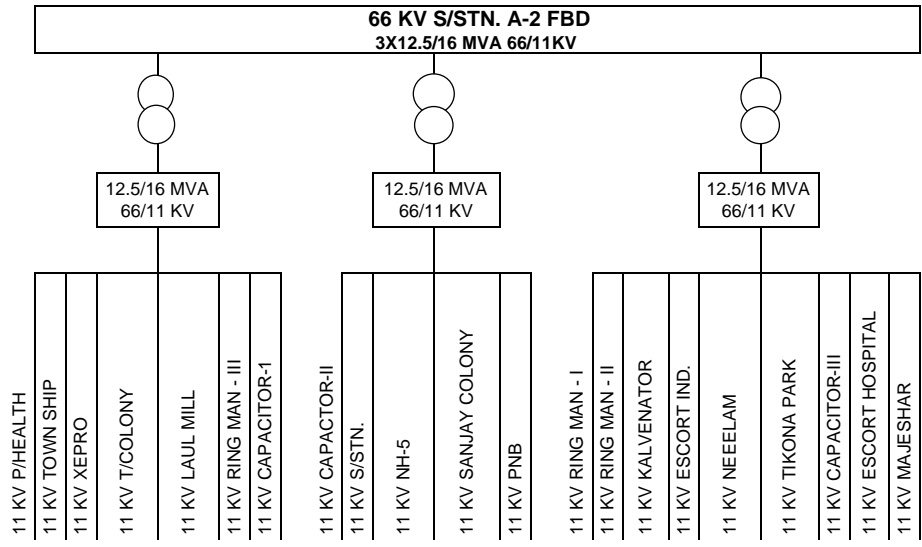


**SCHEMATIC DIAGRAM OF 66 KV SUB STATION USA**

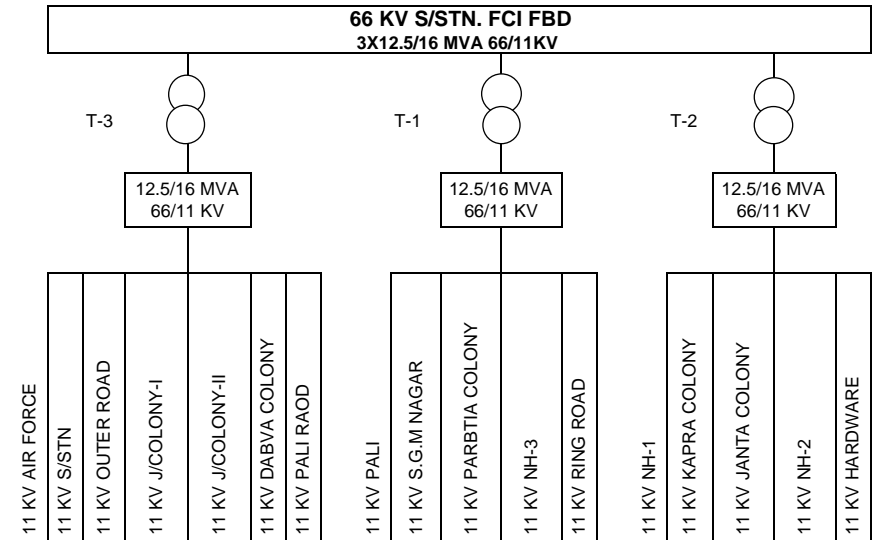
**SCHEMATIC DIAGRAM OF 66 KV SUB STATION DABRIWALA**



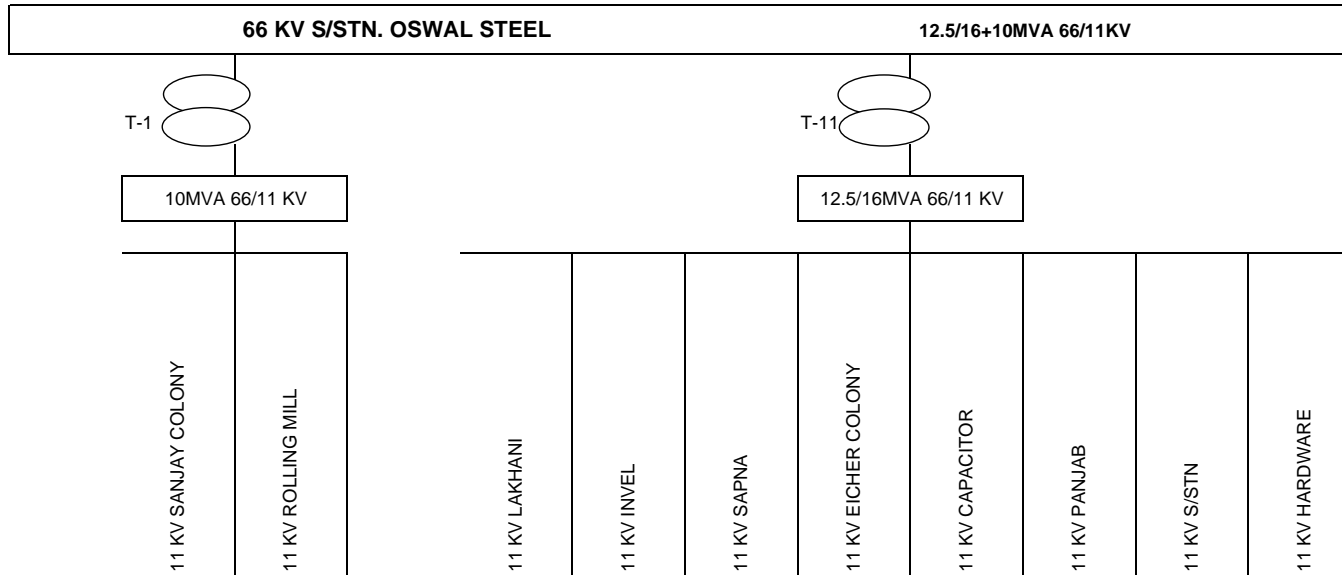
**SCHEMATIC DIAGRAM OF 66 KV SUB STATION A-2 FBD**



**SCHEMATIC DIAGRAM OF 66 KV SUB STATION FCI FBD**



**SCHEMATIC DIAGRAM OF 66 KV SUB STATION OSWAL STEEL**





**DATA OF 11 KV FEEDERS IN RESPECT OF (OP) CIRCLE, FARIDABAD.**

SR NO.	NAME OF 11 KV FEEDER	Urban/ indl Rural/Mixed Rural Urban	NAME OF S/STN	NAME OF SUB-DIVN.	NAME OF OP DIVN.
1	K. KALAN (A-3)	RURAL	220 KV A-3	KHERI KALAN	OLD F/BAD
2	GOODYEAR	INDP.	220 KV BBMB BGARH	I/A B/GARH	B/GARH
3	BAJREE	M/URBAN	220 KV PALI	PALI	B/GARH
4	BHAKRI	M/URBAN	220 KV PALI	PALI	B/GARH
5	J.V.V.	INDL	220 Palla	WEST	OLD F/BAD
6	PATLI GATE	URBAN	220 PALWAL	CITY	PALWAL
7	11 KV HUDA	URBAN	220 PALWAL	CITY	PALWAL
8	11 KV STP	IND	220 PALWAL	CITY	PALWAL
9	RURAL	RURAL	220 PALWAL	CITY	PALWAL
10	DHATIR	RURAL	220 PALWAL	S/U PALWAL	PALWAL
11	DOABA MILK PLANT (IND.)	INDP.	220 PALWAL	S/U PALWAL	PALWAL
12	DUDHOLA	RURAL	220 PALWAL	S/U PALWAL	PALWAL
13	PRITHLA (IND.)-11	INDL	220 PALWAL	S/U PALWAL	PALWAL
14	PRITHLA (IND.)-1	INDL	220 PALWAL	S/U PALWAL	PALWAL
15	TEHERKI	RURAL	220 PALWAL	S/U PALWAL	PALWAL
16	66KV RAILWAY (IND.)	INDP.	220KV BGARH	S/URBAN	B/GARH
17	CKT. HOUSE	URBAN	33 KV ESCORT-1	EAST F/BAD	OLD F/BAD
18	DELTON CABLE (IND.)	INDP.	33 KV ESCORT-1	EAST F/BAD	OLD F/BAD
19	ESCORT-I (IND.)	INDP.	33 KV ESCORT-1	EAST F/BAD	OLD F/BAD
20	SECTOR-15-A	URBAN	33 KV ESCORT-1	EAST F/BAD	OLD F/BAD
21	SECTOR-15-B	URBAN	33 KV ESCORT-1	EAST F/BAD	OLD F/BAD
22	TELE. EXCH. (IND.)	INDP.	33 KV ESCORT-1	EAST F/BAD	OLD F/BAD
23	THOMSON (IND.)	INDP.	33 KV ESCORT-1	EAST F/BAD	OLD F/BAD
24	DAYALPUR-II	RURAL	33 KV F/PUR BILOCH.	CHHAINSA	B/GARH
25	FATEHPUR	RURAL	33 KV F/PUR BILOCH.	CHHAINSA	B/GARH
26	PANHERA-11	RURAL	33 KV F/PUR BILOCH.	CHHAINSA	B/GARH
27	JAWAN	RURAL	33 KV F/PUR BILOCH.	CHHAINSA	B/GARH
28	Clutch Auto	INDL	33KV IAC	M/ROAD	OLD F/BAD
29	Usha Spining	INDL	33KV IAC	M/ROAD	OLD F/BAD
30	SKN	INDL	33KV IAC	M/ROAD	OLD F/BAD
31	Yark	INDL	33KV IAC	M/ROAD	OLD F/BAD
32	Santosh	INDL	33KV IAC	M/ROAD	OLD F/BAD
33	BSL Casting	INDL	66 KV	NO.3	F/BAD
34	NEELAM	URBAN	66 KV A-2	NO.1	F/BAD
35	TIKONA PARK	URBAN	66 KV A-2	NO.1	F/BAD
36	TOWN SHIP	URBAN	66 KV A-2	NO.1	F/BAD
37	ESCORTS (IND.)	INDP.	66 KV A-2	NO.3	F/BAD
38	KELVINATOR (IND.)	INDP.	66 KV A-2	NO.3	F/BAD
39	LAUL MILL-11(IND)	INDP.	66 KV A-2	NO.3	F/BAD
40	MUJESAR	URBAN	66 KV A-2	NO.3	F/BAD
41	PUBLIC HEALTH	INDL	66 KV A-2	NO.3	F/BAD
42	RING MAIN -11	URBAN	66 KV A-2	NO.3	F/BAD
43	RING MAIN I	URBAN	66 KV A-2	NO.3	F/BAD
44	RING MAIN-III	URBAN	66 KV A-2	NO.3	F/BAD
45	SANJAY COLONY-1	URBAN	66 KV A-2	NO.3	F/BAD
46	THERMAL COLONY	URBAN	66 KV A-2	NO.3	F/BAD
47	XPRO INDIA (IND.)	INDP.	66 KV A-2	NO.3	F/BAD

48	ESCORT HOSPITAL(IND.)	INDP.	66 KV A-2	NO.5	F/BAD
50	NH. 5	URBAN	66 KV A-2	NO.5	F/BAD
51	P.N.B.	URBAN	66 KV A-2	NO.5	F/BAD
52	SEC-16A	URBAN	66 KV A-4	EAST F/BAD	OLD F/BAD
53	SECTOR-17	URBAN	66 KV A-4	EAST F/BAD	OLD F/BAD
54	SUNFLAG (IND.)	INDP.	66 KV A-4	EAST F/BAD	OLD F/BAD
55	INDRA COMPLEX	URBAN	66 KV A-4	KHERI KALAN	OLD F/BAD
56	K. KALAN (A-4)	RURAL	66 KV A-4	KHERI KALAN	OLD F/BAD
57	PUBLIC HEALTH	URBAN	66 KV A-4	KHERI KALAN	OLD F/BAD
58	BASELWA	URBAN	66 KV A-4	WEST	OLD F/BAD
59	BHOOD COLONY	URBAN	66 KV A-4	WEST	OLD F/BAD
60	CITY	URBAN	66 KV A-4	WEST	OLD F/BAD
61	MCF DISPOSAL	URBAN	66 KV A-4	WEST	OLD F/BAD
62	SECTOR-18	URBAN	66 KV A-4	WEST	OLD F/BAD
63	SECTOR-19	URBAN	66 KV A-4	WEST	OLD F/BAD
64	MIRJAPUR DISPOSAL	RURAL	66 KV A-5	BADROLA	B/GARH
65	N.T.P.C. CITY-I (IND.)	INDP.	66 KV A-5	BADROLA	B/GARH
66	HOUSING BOARD	URBAN	66 KV A-5	CITY 11 B/GARH	B/GARH
67	PUBLIC HEALTH	URBAN	66 KV A-5	CITY 11 B/GARH	B/GARH
68	SECTOR-3	URBAN	66 KV A-5	CITY 11 B/GARH	B/GARH
69	TIGAON FEEDERS	URBAN	66 KV A-5	CITY 11 B/GARH	B/GARH
70	BALLABGARH-I	URBAN	66 KV A-5	CITY1	B/GARH
71	MOHNA ROAD	URBAN	66 KV A-5	CITY1	B/GARH
72	RAGHUVVEER COLONY	URBAN	66 KV A-5	CITY1	B/GARH
73	E.S.I. (IND.)	INDP.	66 KV A-5	I/A B/GARH	B/GARH
74	SECTOR-10	URBAN	66 KV A-5	I/A B/GARH	B/GARH
75	SECTOR-7	URBAN	66 KV A-5	I/A B/GARH	B/GARH
76	SECTOR-8 MCF	URBAN	66 KV A-5	I/A B/GARH	B/GARH
77	DEEG.	RURAL	66 KV A-5	S/URBAN	B/GARH
78	11KV Amarpur	RURAL	66 KV ALLAWALPUR	S/U PALWAL	PALWAL
79	11KV Pelak Pump House-1	INDL	66 KV ALLAWALPUR	S/U PALWAL	PALWAL
80	11KV Sadarpur	RURAL	66 KV ALLAWALPUR	S/U PALWAL	PALWAL
81	Alawalpur	RURAL	66 KV ALLAWALPUR	S/U PALWAL	PALWAL
82	Katesra	RURAL	66 KV ALLAWALPUR	S/U PALWAL	PALWAL
83	Lalpara	RURAL	66 KV ALLAWALPUR	S/U PALWAL	PALWAL
84	AURANGABAD	RURAL	66 KV AURANGABAD	DEEGHOT	PALWAL
85	BALLARPUR IND.	INDL	66 KV AURANGABAD	DEEGHOT	PALWAL
86	BAMINIKHERA	RURAL	66 KV AURANGABAD	DEEGHOT	PALWAL
87	BATA	RURAL	66 KV AURANGABAD	DEEGHOT	PALWAL
88	RPS VIKASH	IND	66 KV AURANGABAD	DEEGHOT	PALWAL
89	ARWA	RURAL	66 KV BADROLA	BADROLA	B/GARH
90	CHANDPUR	RURAL	66 KV BADROLA	BADROLA	B/GARH
91	DAYALPUR	RURAL	66 KV BADROLA	BADROLA	B/GARH
92	KURALI	RURAL	66 KV BADROLA	BADROLA	B/GARH
93	MANJHAWALI	RURAL	66 KV BADROLA	BADROLA	B/GARH
94	NEEMKA	RURAL	66 KV BADROLA	BADROLA	B/GARH
95	PANHERA-1	RURAL	66 KV BADROLA	BADROLA	B/GARH
96	TIGAON	RURAL	66 KV BADROLA	BADROLA	B/GARH

97	BHOPANI	RURAL	66 KV BHOPANI	KHERI KALAN	OLD F/BAD
98	JASANA	RURAL	66 KV BHOPANI	KHERI KALAN	OLD F/BAD
99	KAMRA	RURAL	66 KV BHOPANI	KHERI KALAN	OLD F/BAD
100	MAHATPUR	RURAL	66 KV BHOPANI	KHERI KALAN	OLD F/BAD
101	VASUNDRA(IND)	INDP.	66 KV BHOPANI	KHERI KALAN	OLD F/BAD
102	BAROLI	RURAL	66 KV CHANDHUT	S/U PALWAL	PALWAL
103	CHANDHUT	RURAL	66 KV CHANDHUT	S/U PALWAL	PALWAL
104	GHORI	RURAL	66 KV CHANDHUT	S/U PALWAL	PALWAL
105	MEESA	RURAL	66 KV CHANDHUT	S/U PALWAL	PALWAL
106	DSPI	INDL	66 KV CHANDHUT	S/U PALWAL	PALWAL
107	SUJAWARI	RURAL	66 KV CHANDHUT	S/U PALWAL	PALWAL
108	NARHAWALI	RURAL	66 KV CHHAINSA	CHHAINSA	B/GARH
109	ATALI	RURAL	66 KV CHHAINSA	CHHAINSA	B/GARH
110	CHHANSA	RURAL	66 KV CHHAINSA	CHHAINSA	B/GARH
111	JALAKA FEEDER	RURAL	66 KV CHHAINSA	CHHAINSA	B/GARH
112	KHADAR	RURAL	66 KV CHHAINSA	CHHAINSA	B/GARH
113	MOHNA	RURAL	66 KV CHHAINSA	CHHAINSA	B/GARH
114	NARYALA	RURAL	66 KV CHHAINSA	CHHAINSA	B/GARH
115	SHEKH PUR	RURAL	66 KV CHHAINSA	CHHAINSA	B/GARH
116	P/HEALTH-11	INDP.	66 KV CHHAINSA	CHHAINSA	B/GARH
117	PUBLIC HEALTH -1	INDP.	66 KV CHHAINSA	CHHAINSA	B/GARH
118	COTTON MILL	INDL	66 KV D/WALA	NO.3	F/BAD
119	F.S.I.A.	URBAN	66 KV D/WALA	NO.3	F/BAD
120	INDUSTRIAL	INDL	66 KV D/WALA	NO.3	F/BAD
121	JAYCO (IND.)	INDP.	66 KV D/WALA	NO.3	F/BAD
122	PUNJAB INDUSTRIES (IND.)	INDP.	66 KV D/WALA	NO.3	F/BAD
123	SECTOR- 24	URBAN	66 KV D/WALA	NO.3	F/BAD
124	SECTOR-22 & 23	URBAN	66 KV D/WALA	NO.3	F/BAD
125	CIRCUIT-1	INDL	66 KV DHAUJ	PALI	B/GARH
126	CIRCUIT-2	INDL	66 KV DHAUJ	PALI	B/GARH
127	CIRCUIT-3	INDL	66 KV DHAUJ	PALI	B/GARH
128	CIRCUIT-4	INDL	66 KV DHAUJ	PALI	B/GARH
129	D-1 DHOJ	INDL	66 KV DHAUJ	PALI	B/GARH
130	D-11 DHOJ	INDL	66 KV DHAUJ	PALI	B/GARH
131	O/G DHOJ	RURAL	66 KV DHAUJ	PALI	B/GARH
132	PAKHAL	RURAL	66 KV DHAUJ	PALI	B/GARH
133	GEMOTER (IND.)	INDP.	66 KV ESCORT-11	EAST F/BAD	OLD F/BAD
134	SECTOR-11	URBAN	66 KV ESCORT-11	EAST F/BAD	OLD F/BAD
135	SECTOR-20B	URBAN	66 KV ESCORT-11	EAST F/BAD	OLD F/BAD
136	PUBLIC HEALTH (IND.)	INDP.	66 KV ESCORT-11	EAST F/BAD	OLD F/BAD
137	AIR FORCE (IND)	INDP.	66 KV FCI	J/COLONY	F/BAD
138	JANTA COLONY	URBAN	66 KV FCI	J/COLONY	F/BAD
139	JAWAHAR COLONY-I	URBAN	66 KV FCI	J/COLONY	F/BAD
140	JAWAHAR COLONY-II	URBAN	66 KV FCI	J/COLONY	F/BAD
141	KAPRA COLONY	URBAN	66 KV FCI	J/COLONY	F/BAD
142	PARBATIA COLONY	URBAN	66 KV FCI	J/COLONY	F/BAD
143	NH-I	URBAN	66 KV FCI	NO.1	F/BAD
144	DABUA COLONY	URBAN	66 KV FCI	NO.2	F/BAD
145	11KV NH.-2	URBAN	66 KV FCI	NO.2	F/BAD

146	11KV Outer Road	URBAN	66 KV FCI	NO.2	F/BAD
147	RING ROAD	URBAN	66 KV FCI	NO.2	F/BAD
148	HARD WARE	INDL	66 KV FCI	NO.3	F/BAD
149	Pali Road	URBAN	66 KV FCI	NO.3	F/BAD
150	Pali	URBAN	66 KV FCI	PALI	B/GARH
151	NEW SECTOR-16	URBAN	66 KV FORD	EAST F/BAD	OLD F/BAD
152	ESCORT-III (IND.)	INDP.	66 KV FORD	EAST F/BAD	OLD F/BAD
153	ESCORTS FORD (IND.)	INDP.	66 KV FORD	EAST F/BAD	OLD F/BAD
154	I.O.C. (IND.)	INDP.	66 KV FORD	EAST F/BAD	OLD F/BAD
155	NEW SECTOR-15	URBAN	66 KV FORD	EAST F/BAD	OLD F/BAD
156	PRERNA DHAM	URBAN	66 KV FORD	EAST F/BAD	OLD F/BAD
157	SEC-14	URBAN	66 KV FORD	EAST F/BAD	OLD F/BAD
158	SEC-14 MKT	URBAN	66 KV FORD	EAST F/BAD	OLD F/BAD
159	SEC-16	URBAN	66 KV FORD	EAST F/BAD	OLD F/BAD
160	SEC-9 EAST	URBAN	66 KV FORD	I/A B/GARH	B/GARH
161	SECTOR-9 WEST	URBAN	66 KV FORD	I/A B/GARH	B/GARH
162	CIVIL HOSPITAL	URBAN	66 KV G/STEEL	CITY 11 B/GARH	B/GARH
163	STAR WIRE (EXPORT) (IND.)	INDP.	66 KV G/STEEL	CITY 11 B/GARH	B/GARH
164	BHIDUKI	RURAL	66 KV HASSANPUR	HASSANPUR	PALWAL
165	HASSANPUR	RURAL	66 KV HASSANPUR	HASSANPUR	PALWAL
166	KASHIPUR	RURAL	66 KV HASSANPUR	HASSANPUR	PALWAL
167	KHAMBHI	RURAL	66 KV HASSANPUR	HASSANPUR	PALWAL
168	TAPPA	RURAL	66 KV HASSANPUR	HASSANPUR	PALWAL
169	AURANGABAD	RURAL	66 KV HODAL	HODAL	PALWAL
170	BAHIN	RURAL	66 KV HODAL	HODAL	PALWAL
171	BAHIN W/S	INDL	66 KV HODAL	HODAL	PALWAL
172	BHIDUKI	RURAL	66 KV HODAL	HODAL	PALWAL
173	BORAKA	RURAL	66 KV HODAL	HODAL	PALWAL
174	DABCHIK	INDL	66 KV HODAL	HODAL	PALWAL
175	HODAL-2	URBAN	66 KV HODAL	HODAL	PALWAL
176	HODAL-3	URBAN	66 KV HODAL	HODAL	PALWAL
177	O/G HODAL-1	URBAN	66 KV HODAL	HODAL	PALWAL
178	BHAGWATI OXY. (IND.)	INDP.	66 KV HYD	S/URBAN	B/GARH
179	CONT.PROCESS (IND.)	INDP.	66 KV HYD	S/URBAN	B/GARH
180	GAUCHHI	RURAL	66 KV HYD	S/URBAN	B/GARH
181	HIGH POLYMER (IND.)	INDP.	66 KV HYD	S/URBAN	B/GARH
182	HYDRABAD (IND.)	INDP.	66 KV HYD	S/URBAN	B/GARH
183	INDUSTRIAL	INDL	66 KV HYD	S/URBAN	B/GARH
184	N/HIGHWAY	URBAN	66 KV HYD	S/URBAN	B/GARH
185	NTPC (IND.)	INDP.	66 KV HYD	S/URBAN	B/GARH
186	PUBLIC HEALTH	URBAN	66 KV HYD	S/URBAN	B/GARH
187	SECTOR-55	URBAN	66 KV HYD	S/URBAN	B/GARH
188	OSWAL GLOBAL	INDL	66 KV HYD	S/URBAN	B/GARH
189	TECUMSEH (IND)	INDP.	66 KV HYD	S/URBAN	B/GARH
190	TELEFUNKEN	INDL	66 KV HYD	S/URBAN	B/GARH
191	CHAWLA COLONY	URBAN	66 KV IDGAH	CITY 11 B/GARH	B/GARH
192	BALLABGARH-III	URBAN	66 KV IDGAH	CITY 1	B/GARH
193	B.D. GHAI (IND.)	INDP.	66 KV IDGAH	I/A B/GARH	B/GARH

194	C.R.I. (IND.)	INDP.	66 KV IDGAH	I/A B/GARH	B/GARH
195	PUBLIC HEALTH	URBAN	66 KV IDGAH	I/A B/GARH	B/GARH
196	SECTOR-4	URBAN	66 KV IDGAH	I/A B/GARH	B/GARH
197	SECTOR-6	INDL	66 KV IDGAH	I/A B/GARH	B/GARH
198	SECTOR-8	URBAN	66 KV IDGAH	I/A B/GARH	B/GARH
199	SHAYAM TEXTILE	INDL	66 KV IDGAH	I/A B/GARH	B/GARH
200	SOVERN	INDL	66 KV IDGAH	I/A B/GARH	B/GARH
201	ORIENT STEEL (IND.)	INDP.	66 KV JHARSTLY	S/URBAN	B/GARH
202	AUTO METER	INDL	66 KV JHARSTLY	S/URBAN	B/GARH
203	BHARAT PETROLIUM (IND.)	INDP.	66 KV JHARSTLY	S/URBAN	B/GARH
204	COMPETENT ALLOY	URBAN	66 KV JHARSTLY	S/URBAN	B/GARH
205	HSIDC SEC-59	INDL	66 KV JHARSTLY	S/URBAN	B/GARH
206	HUDA SEC-59	URBAN	66 KV JHARSTLY	S/URBAN	B/GARH
207	IOC (IND)	INDP.	66 KV JHARSTLY	S/URBAN	B/GARH
208	IRCON	INDL	66 KV JHARSTLY	S/URBAN	B/GARH
209	IRIGATION	INDL	66 KV JHARSTLY	S/URBAN	B/GARH
210	M.M. CASTING (IND.)	INDP.	66 KV JHARSTLY	S/URBAN	B/GARH
211	ORIENT STEEL (IND.)	INDP.	66 KV JHARSTLY	S/URBAN	B/GARH
212	SECTOR-58 FDR	INDL	66 KV JHARSTLY	S/URBAN	B/GARH
213	SEEKRI	RURAL	66 KV JHARSTLY	S/URBAN	B/GARH
214	SUNPED	URBAN	66 KV JHARSTLY	S/URBAN	B/GARH
215	JCB	INDL	66 KV JHARSTLY	S/URBAN	B/GARH
216	SOHNA ROAD	URBAN	66 KV N/INDIA	CITY 11 B/GARH	B/GARH
217	BHATIA CUTTER HAMMER (IND.)	INDP.	66 KV N/INDIA	I/A B/GARH	B/GARH
218	BONEY	INDL	66 KV N/INDIA	I/A B/GARH	B/GARH
219	HEINLEHMAN (IND.)	INDP.	66 KV N/INDIA	I/A B/GARH	B/GARH
220	INTERLINKING	INDL	66 KV N/INDIA	I/A B/GARH	B/GARH
221	ORIENT GENERAL (IND.)	INDP.	66 KV N/INDIA	I/A B/GARH	B/GARH
222	SANJAY MEMORIAL	INDL	66 KV N/INDIA	I/A B/GARH	B/GARH
223	VXL (IND.)	INDP.	66 KV N/INDIA	I/A B/GARH	B/GARH
224	METRO FEEDER	URBAN	66 KV NH-3	NO.2	F/BAD
225	ESI	URBAN	66 KV NH-3	NO.4	OLD F/BAD
226	O/G NH-III	URBAN	66 KV NH-3	NO.4	OLD F/BAD
227	S.G.M. NAGAR	URBAN	66 KV NH-3	NO.4	OLD F/BAD
228	SAINIK COLONY-1	URBAN	66 KV NH-3	NO.4	OLD F/BAD
229	SAINIK COLONY-11	URBAN	66 KV NH-3	NO.4	OLD F/BAD
230	NEHRU GROUND	URBAN	66 KV NH-3	NO.5	F/BAD
231	B.K.Hospital	URBAN	66 KV NH-3	NO.5	F/BAD
232	EICHER COLONY	URBAN	66 KV OSWAL	NO.3	F/BAD
233	HINDUSTAN WIRE (IND.)	INDP.	66 KV OSWAL	NO.3	F/BAD
234	INVEL (IND.)	INDP.	66 KV OSWAL	NO.3	F/BAD
235	LAKHANI(IND)	INDP.	66 KV OSWAL	NO.3	F/BAD
236	ROLLING MILL	INDL	66 KV OSWAL	NO.3	F/BAD
237	SANJAY COLONY-11	URBAN	66 KV OSWAL	NO.3	F/BAD
238	SAPNA TEXTILE	INDL	66 KV OSWAL	NO.3	F/BAD
239	GURGAON CANAL	URBAN	66 KV P/STEEL	CITY 11 B/GARH	B/GARH
240	SECTOR-4-1	URBAN	66 KV P/STEEL	I/A B/GARH	B/GARH
241	SECTOR-6-2	INDL	66 KV P/STEEL	I/A B/GARH	B/GARH
242	I.T.I.	URBAN	66 KV PALWAL	CITY	PALWAL

243	CITY-I	URBAN	66 KV PALWAL	CITY	PALWAL
244	CITY-II	URBAN	66 KV PALWAL	CITY	PALWAL
245	CITY-III	URBAN	66 KV PALWAL	CITY	PALWAL
246	BHAMNI KHERA	RURAL	66 KV PALWAL	DEEGHOT	PALWAL
247	ALLAWALPUR	RURAL	66 KV PALWAL	S/U PALWAL	PALWAL
248	PELAK PUMP HOUSE-11	RURAL	66 KV PALWAL	S/U PALWAL	PALWAL
249	PRITHLA	RURAL	66 KV PALWAL	S/U PALWAL	PALWAL
250	SEHOLE	RURAL	66 KV PALWAL	S/U PALWAL	PALWAL
251	DLF	URBAN	66 KV SEC-31	WEST	OLD F/BAD
252	SECTOR-27/NEW CITY	URBAN	66 KV SEC-31	WEST	OLD F/BAD
253	SECTOR-28 P-I	URBAN	66 KV SEC-31	WEST	OLD F/BAD
254	SECTOR-28 P-II	URBAN	66 KV SEC-31	WEST	OLD F/BAD
255	SECTOR-29	URBAN	66 KV SEC-31	WEST	OLD F/BAD
256	SECTOR-31	URBAN	66 KV SEC-31	WEST	OLD F/BAD
257	HSIDC	URBAN	66 KV SEC-31	WEST	OLD F/BAD
258	SHAHI EXPORT	URBAN	66 KV SEC-31	WEST	OLD F/BAD
259	MEWLA M.PUR	URBAN	66 KV SEC-46	NO.4	OLD F/BAD
260	SECTOR 21-A & B	URBAN	66 KV SEC-46	NO.4	OLD F/BAD
261	SECTOR 21-C	URBAN	66 KV SEC-46	NO.4	OLD F/BAD
262	SECTOR 21-D	URBAN	66 KV SEC-46	NO.4	OLD F/BAD
263	SECTOR-46	URBAN	66 KV SEC-46	NO.4	OLD F/BAD
264	J/STEEL (IND.)	INDP.	66 KV USA	NO.4	OLD F/BAD
265	ESCORTS MSD (IND.)	INDP.	66KV ESCORTS	I/A B/GARH	B/GARH
266	Tal Bross	INDL	66KV PALLA	M/ROAD	OLD F/BAD
267	I.G.C.	INDL	66KV PALLA	M/ROAD	OLD F/BAD
268	Palla	Urban	66KV PALLA	M/ROAD	OLD F/BAD
269	Tilpat	Urban	66KV PALLA	M/ROAD	OLD F/BAD
270	Ashoka Enclave	Urban	66KV PALLA	M/ROAD	OLD F/BAD
271	NAP	INDL	66KV PALLA	M/ROAD	OLD F/BAD
272	SAP	INDL	66KV PALLA	M/ROAD	OLD F/BAD
273	DLF	INDL	66KV PALLA	M/ROAD	OLD F/BAD

7

## Telephone No. of DHBVN Circle Administration

<u>OP CIRCLE FBD.</u>	<u>MOBILE NO.</u>	<u>OFFICE</u>	<u>CENTEX NO.</u>	<u>RESI.</u>
<b>S/Shri</b>				
<b>V.K.Seth,G.M</b>	<b>9313423180</b>	<b>1292233277</b>	<b>463</b>	<b>2238117(Fax)</b>
<b>D.G.M/Works</b>	<b>9312290668</b>	<b>0129-2443234</b>		<b>2232261CHD</b>
<b>R.C.Dahiya,SDO/Const.</b>	<b>9312290669</b>			
<b>OP DIVN. FBD.</b>				
<b>K.C.Aggarwal/Xen/Fbd</b>	<b>9313423181</b>	<b>0129-2233377</b>	<b>464</b>	<b>2443095</b>
<b>Shyambir Saini/ SDO-1</b>	<b>9313423188</b>	<b>0129-2415693</b>	<b>502</b>	
	<b>9313423182</b>			
<b>Neeraj Tyagi / J E (F)</b>	<b>9313423184</b>			
<b>Ram Parshad /AFM</b>	<b>9313423183</b>			
	<b>9350426835</b>			
<b>A.K.Goel,SDO No.2</b>	<b>9313423187</b>			
<b>Bhart Bhushan,JE</b>	<b>9313423191</b>			
<b>Sundeeep Kr.Godra,JE</b>	<b>9313423192</b>			
<b>R.S.Beniwal SDONo.3</b>	<b>9313423189</b>	<b>0129-2233396</b>	<b>465</b>	
<b>Kamal Dhiman,J.E</b>	<b>9313423193</b>			
<b>S.P.Singh,JE</b>	<b>9313423195</b>			
<b>Devi Charan, AFM</b>	<b>9313423196</b>			
<b>T.K.Rao,AFM</b>	<b>9312290694</b>			
<b>J.C.Bisla,SDO No.5</b>	<b>9313423185</b>	<b>0129-2412496</b>	<b>498</b>	
<b>Sanjay Jain,JE</b>	<b>9313423198</b>			
<b>Chander Mohan,JE</b>	<b>9313423197</b>			
<b>R.K.Saini,JE</b>	<b>9313423199</b>			
<b>N.L.Chawla SDO J/C</b>	<b>9313423186</b>	<b>0129-2470141</b>	<b>532</b>	
<b>Rattan Singh</b>	<b>9313423200</b>			
<b>Joginder Singh,JE.</b>	<b>9350426900</b>			
<b>Sumar SinghHDM</b>	<b>9312290696</b>			
<b>Vinder Singh,AFM</b>	<b>9350426801</b>			
<b><u>COMPLAINT CENTRES</u></b>				
<b>NH-1</b>	<b>9350426807</b>	<b>0129-2415624</b>	<b>501</b>	
<b>NH-2</b>	<b>9313423190</b>	<b>0129-2412454</b>	<b>497</b>	
	<b>9350426808</b>			
<b>Dabua Colony</b>	<b>9350426809</b>			
<b>NH-5</b>	<b>9350426802</b>	<b>0129-2415717</b>	<b>503</b>	
<b>2 A SUB-STN.</b>	<b>9350426804</b>	<b>0129-2232011</b>	<b>459</b>	
<b>Sec-22</b>	<b>9350426805</b>	<b>0129-2232633</b>	<b>461</b>	
<b>Dabriwala C/Centre</b>	<b>9350426806</b>			
<b>Complaint Centre,J/C</b>	<b>9350426810</b>			
<b>C/Centre Air Force Rd</b>	<b>9350426911</b>			
<b>PNB (CHD)</b>	<b>9350426803</b>			

<b>OP DIVN.OLD FBD.</b>				
R.N.Garg / Xen/Old Fbd	9350426812	0129-2286251	491	
P.K.Chauhan,SDO East	9350426819	0129-2288001	492	
Prem Singh,JE,Escort	9350426813	0129-2283125	490	
DevinderPal/J E Sec-15	9350426815			
Inder Singh,AFM	9350426814			
Schedva, SDO/West	9350426818	0129-2292980	493	
P.P.Rana,JE/FaridPark,C/s	9350427825			
Sec-28Complaint Centre	9350426826			
Sh.Om Parkash,AFM	9350426838			
C.CentreFaridpark	9350426837			
CCC Sec-23	9350426823			
Bhagwan Dass, AFM	9350426824			
Kuldip Atri, SDO/Kheri	9350426820	0129-2229337	453	
Rajan Singh,SSA	9350426821			
Manish Wadhwa,JE	9350426822			
Chuni Lal L.M	9312290699			
M.L.ROHILA SDO,M/R	9350426817	0129-2275541	487	
Hawa Singh,JE/JMA C/S	9350426832			
	9312290697			
Rahul Yadav,JE/IA C/S	9350426834			
Ram Niwas Gupta,AFM	9350426833			
M.S Verma,JE(Rtd)	9350426836			
Narender Singh,AFM	9350426831			
Jitender Dhull,SDO No.4	9350426816	0129-2412547	499	
Man Mohan,JE/NH-3 C/S	9350426827	0129-2412807	500	
Dharam Raj,LM	9350426828			
Satish Kumar,JE	9350426829			
J.P.Sharma,JE/NH-4 C/S	9350426830	0129-2412250	496	
<b>COMPLAINT CENTRES</b>				
Escorts Complaint Centre	9350426840	0129-2283125	490	
Sector-15,Complaint Centre	9350426839			
Sector-16,Complaint Centre	9350426841			
Palla Complaint Centre	9350426847			
IAC Complaint Centre	9350426846	0129-2275820	488	
USA Complaint Centre	9350426844			
JMA Complaint Centre	9350426845			
NH-3 Complaint Centre	9350426842	0129-2412807	500	
NH-4 Complaint Centre	9350426843	2412250	496	
Sec-28 Complaint Centre	9350426824			
FaridPark Complaint Centre	9350426838			
Baselwa Complaint Centre	9350426848			



(OP) Divn.Ballabgarh				
SK Chhabra, XEN B/garh	9350426849	0129-2446449	528	2426900
Sattar Khan,SDO, I/A	9350426855	0129-2244317	433	
R.K.Chhokar,JE	9350426860			
R.K.Mehta,JE	9350426861			
Sunil Kumar,JE	9350426862			
H.K.Taygi,SDO City-I	9350426856	0129-2247257	437	
Ram Pal,AFM	9350426850			
Vinod Kumar,JE	9350426852			
Jawahar Singh,JE	9350426851			
D.S.Hooda SDO City-II	9350426854	0129-2241293	429	
Ram Parshad,JE	9350426857			
Satbir ,AFM	9350426858			
Brij Mohan,JE.	9350426859			
Neeraj Khandekar, SDO S/U	9350426853	0129-2232948	462	
Dharambir,JE	9350426864			
Harkishan AFM	9350426863			
Ashok Khatri,JE	9350426866			
S S Rawat SDO Badrola	9312290663	0129-2401240	495	
T.D.Manocha,JE	9911039311(P)			
Gyain L.M,	9312290700			
Mahavir Singh,J.E/HDM	931229701			
Kishan Lal,SDO Pali	9312290664	0129-2470301	534	
Pardeep Yadav,JE	9312290702			
R.P.Malik,AFM	9312290703			
Dinesh Sharma,J.E	9312290704			
S.P.Bhatia,SDOChhainsa	9416215122(p)	0129-2209217	449	
Rakesh Singh,AFM	9818844699(P)			
Janak Chaudhary,JE	9891304501(P)			
Gulab Singh AFM	9416633871(p)			
<b>COMPLAINT CENTRES</b>				
<b>Ballabgarh division</b>				
C/Centre-Sec-55	9350426865			
Uncha Gaon City-I	9350426867			
Akash Cinema City-I	9350426868			
Sector-3, City-II	9350426869			
Chawal Col.City.II	9350426870			
Idgah	9350426871			
Sector-7	9350426872			
Sec-10,I/A Area	9350426873			
Sec-25 (Hyderabad) S/U	9350426874			
Jharsetli S/U	9350426875			

Palwal division,XEN	9354996211	01275-252105	252705	
K.S.Chauhan,SDO-City	9354996212	01275-252215		
Kuldeep Singh,JE	9354996276			
Sunil Dutt,JE	9354996277			
Gurubex Singh,JE/F	9354996278			
Sunder Lal,AFM	9354996279			
Fateh Singh,AFM	9354996280			
Mitter Sain,AFM	9354996281			
Kashmir Chand.L.M	9354996282			
Vijay shanker,SDO S/U PWL	9354996213	01275-252107		
Satbir Singh,JE	9354996283			
Ravinder Kumar,JE	9354996284			
S.M.Sharma,JE	9354996285			
Indu Sekhar,AFM	9354996286			
Ashok Kumar,AFM	9354996287			
Bhagirath,AFM	9354996288			
S.S.Rai,SDO Hodal	9354996215	01275-235521		
V.S.Rawat,JE	9354996293			
Veer Pal,JE	9354996294			
Badan Singh,JE	9354996295			
Roop Lal,AFM	9354996296			
R.S.Jakhar,JE Deghot	9315473705			
Dharambir AFM	9312290706			
Lal chand,L.M	9312290707			
Prem Singh,SDO Hassanpur		01275-271225		

Complaints to be lodged	Gen. No. 1912			
By public/ consumers				
Bijli Suvidha Kendra	9313423178	0129-2443428	2443169	
	9313423179	0129-2443429		
Customer Care Centre				
SDO /CCC	9350426855	0129-y2230900		
J.E./CCC	9313423184			
M.D. Hisar		01662-221724(O)	221892(O)	
Director/ (OP)	9812556600	01662-220438		
Director/Project	9812206666	01662-220432		
C.E. (OP) Delhi	9313423102	011-28313780		
OP Circle Faridabad	Mobile No.	Office	Centex No.	Resl.
S/Shri				
V.K. Seth, G.M	9313423180	0129-2233277	463	
V.P. Gupta Dy. G.M./Works	9312290668	0129-2443234		
R.C. Dahiya, SDO/Const.	9312290669			
OP Divn. Faridabad				
K.C. Aggarwal/Xen/Faridabad	9313423181	0129-2233377	464	2443095
Shyambir Saini/ SDO-1	9313423188	0129-2415693	502	
K.B. Grover / JE(F)	9313423182			
Neeraj Tyagi / JE (F)	9313423184			
Ram Parshad /AFM	9313423183			
R.C. Dahiya / JE	9313423185			
A.K. Goel, SDO No.2	9313423187			
Bhart Bhushan, JE	9313423191			
Sundeeep Kr. Godra, JE	9313423192			
R.S. Beniwal SDO No.3	9313423189	0129-2233396	265	
Kamal Dhiman, JE	9313423193			
S.P. Singh, JE	9313423195			
Devi Charan, AFM	9313423196			
T.K. Rao, AFM	9312290694			
J.C. Bisla, SDO No.5	9313423185	0129-2412492	498	
Sanjay Jain, JE	9313423198			
Chander Mohan, JE	9313423197			
R.K. Saini, JE	9313423199			
Sh. Vikas Mohan, SDO J/C	9313423186	0129-2470141	532	
Rattan Singh	9313423200			
Joginder Singh, JE.	9350426900			
Sumar Singh HDM	9312290696			
Vinder Singh, AFM	9350426801			
COMPLAINT CENTRES				
NH-1	9350426807	0129-2415624	501	
NH-2	9313423190	0129-2412454	497	
	9350426808			
Dabua Colony	9350426809			
NH-5	9350426802	0129-2415717	503	
2 A SUB-STN.	9350426804	0129-2232011	459	
Sec-22	9350426805	0129-2232633	461	
Dabriwala C/Centre	9350426806			
Complaint Centre, J/C	9350426810			
C/Centre Air Force RD	9350426811			
PNB (CHD)	9350426803			

OP DIVN. OLD FBD.				
P.Pmittal / Xen/Old Fbd	9350426812	0129-2286251	491	
P.K. Chauhan, SDO East	9350426819	0129-2288001	492	
Prem Singh, JE, Escort	9350426813	0129-2283125	490	
Devinder Pal/ JE Sec-15	9350426815			
Inder Singh, AFM	9350426814			
Schedva, SDO/West	9350426818	0129-2292980	493	
P.P Rana, JE/FaridPark, C/s	9350427825			
Sec-28 Complaint Centre	9350426826			
Sh. Om Parkas, AFM	9350426838			
C.Centre FaridPark	9350426837			
CCC Sec-23	9350426823			
Bhagwan Dass, AFM	9350426824			
Kuldip Atri, SDO/Kheri	9350426820	0129-2229337	453	
Rajan Singh, SSA	9350426821			
Manish Wadhwa, JE	9350426822			
Chuni Lal L.M	9312290699			
M.L. Rohila SDO, M/R	9350426817	0129-2275541	487	
Hawa Singh, JE/JMA C/S	9350426832			
	9350426897			
Rahul Yadav, JE/IA C/S	9350426834			
Ram Niwas Gupta, AFM	9350426833			
M.S. Verma, JE (Rtd)	9350426836			
Narender Singh, AFM	9350426831			
Jitender Dhull, SDO No. 4	9350426816	0129-2412547	499	
Man Moha, JE/NH-3 C/S	9350426827	0129-2412807	500	
Dharam Raj. LM	9350426828			
Satish Kumar, JE	9350426829			
J.P. Sharma, JE/NH-C/S	9350426830	0129-2412250	496	
COMPLAINT CENTRES				
Escorts Complaint Centre	9350426840	0129-2283126	490	
Sector-15, Complaint Centre	9350426839			
Sector-16, Complaint Centre	9350426841			
Palla Complaint Centre	9350426847			
IAC Complaint Centre	9350426846	0129-2275820	488	
USA Complaint Centre	9350426844			
JMA Complaint Centre	9350426845			
NH-3 Complaint Centre	9350426842	0129-2412807	500	
NH-4 Complaint Centre	9350426843	0129-2412250	496	
Sec-28 Complaint Centre	9350426824			
Faridpark Complaint Centre	9350426838			
Baselwa Complaint Centre	9350426848			
OP DIVN. BALLABGARH				
SK Chhabra, Xen B/Garh	9350426859	0129-2446449	528	2426900
Sattar Khan, SDO, I/A	9350426855	0129-2244317	433	
R.K.Chhokar, JE	9350426860			
R.K. Mehta, JE	9350426861			
Sunil Kumar, JE	9350426862			

H.K. Taygi, SDO City-1	9350426856	0129-2247257	437
Ram Pal, AFM	9350426850		
Vinod Kumar, JE	9350426852		
Jawahar Singh, JE	9350426851		
D.S. Hooda SDO City-II	9350426854		
Ram Parsad, JE	9350426857		
Satbir, AFM	9350426858		
Brij Mohan, JE	9350426859		
S.S.Rawat, SDO S/U	9350426853	0129-2232948	462
Dharambir, JE	9350426864		
Harkishan AFM	9350426863		
Ashok Khatri, JE	9350426866		
R.K. Gambhir SDO Badrola	9312290663	0129-2401240	495
T.D. Manocha, JE	9911039311(P)		
Gyain L.M	9312290700		
Mahavir Singh, JE/HDM	9312290701		
Kishan Lal, SDO Pali	9312290664	0129-2470301	534
Pardeep Yadav, JE	9312290702		
R.P. Malik, AFM	9312290703		
Dinesh Sharma, JE	9312290704		
N.L. Dubey, SDO Chhalnsa	9416215122(P)	0129-2209217	449
Rakesh Singh, AFM	9818844699(P)		
Janak Chaudhary, JE	9891304501(P)		
Gulab Singh AFM	9416633871(P)		
COMPLAINT CENTRES			
Ballabgarh Division			
C/Centre Sec-55	9350426865		
Uchna Gaon City-I	9350426867		
Akash Cinema City-I	9350426868		
Sector-3, City-II	9350426869		
Chawal Col. City-II	9350426870		
Idgah	9350426871		
Sector-7	9350426872		
Sec-10, I/A Area	9350426873		
Sec-25 (Hyderabad) S/U	9350426874		
Jharsetli	9350426875		
Palwal Division, Xen	9354996211	01275-252105	252705
Prem Singh, SDO-City	9354996212	01275-252215	
Kuldeep Singh, JE	9354996276		
Sunil Dutt, JE	9354996277		
Gurubex Singh, JE/F	9354996278		
Sunder Lal, AFM	9354996279		
Fateh Singh, AFM	9354996280		
Mitter Sain, AFM	9354996281		
Kashmir Chand, LM.	9354996282		
Vijay Shanker, SDO S/U PWL	9354996213	01275-252107	
Satbir Singh, JE	9354996283		
Ravinder Kumar, JE	9354996284		
S.M. Sharma, JE	9354996285		
Indu Sekhar, AFM	9354996286		
Ashok Kumar, AFM	9354996287		
Bhagirath, AFM	9354996288		

S.S. Ray, SDO Hodal	9354996215	01275-235521		
V.S. Rawat, JE	9354996293			
Veer Pal, JE	9354996294			
Badan Singh, JE	9354996295			
Roop Lal, AFM	9354996296			
R.S. Jakhar, JE Deghot	9315473705			
Dharambir AFM	9312290706			
Lal Chand, L.M.	9312290707			
N.L. Ohawla, SDO Hassanpur	9813814907(P)	01275-271225		
Xen. C/S Ballabgarh	9312290695			
S.E. M&P Faridabad	9350008250	0129-2440320	2440320	2440336(F)
Xen. M&P Faridabad	9312290680			
Naresh Kakkar, SDO M&P	9312290683			
Mahavir Singh, SDO M&P	9312290682			
D.P. Tyagi, SDO M&P	9312290681			
Xen/Const. F/Bad	9350170724			
Xen/Enf	9350426876		9350347170	
AEE/Enf. Parmod Kr.	9350426880			
AEE/Enf. R.K. Vohra	9350426881			
Bhatia L.O.	9350426877			
Bijli Suividha Kendra	9350426878	0129-2443428		
Gen No. 1912	9350426879	0129-2443429		
		2443169		
		21238118		

<b>Telephone Directory (Contant no of 220/66/33 KV S/Stn in respect of (OP) Circle Faridabad</b>			
<b>SR. NO.</b>	<b>NAME OF S/STN.</b>	<b>STD CODE</b>	<b>TELEPHONE NO.</b>
<b>Faridabad Divn</b>			
1	66 KV A-2	95-129	2234532-33
2	66 KV FCI	95-129	2482089
3	66 KV OSWAL	95-129	2230273
4	66 KV DABRIWALA	95-129	2233888
<b>Old Faridabad</b>			
1	220 KV A3 PALLA	95-129	2275634-2273639
2	66 KV A-4	95-129	2275016
3	66 KV NH-3	95-129	2427050
4	66 KV S/STN SECTOR-46	95-129	2437475
5	66 KV SECTOR-31	95-129	2277292
6	66 KV FORD	95-129	2283050
7	66 KV USA	95-129	2511620
8	66 KV BHOPANI	95-129	2201067
9	33 KV M/ROAD	95-129	2275820
10	33 KV ESCORTS	95-129	2283125
<b>Ballabagrh Divn.</b>			
1	220 KV PALI	95-129	2481088
2	66 KV S/STN BADROLA	95-129	2401240
3	66 KV JHARSETELY	95-129	2307581
4	66 KV HYDERABAD	95-129	2234169
5	66 KV DHOUJ	95-129	2206221
6	66 KV NORTHERN INDIA	95-129	2305023
7	66 KV ESCORTS-II	95-129	2292807
8	66 KV G/STEEL	95-129	2241363
9	66 KV A-5	95-129	2241009
10	66 KV PARTAP STEEL	95-129	2247691
11	66 KV IDGAH	95-129	2241218
12	66 KV CHHAINSA	95-129	2209204
13	33 KV FATEHPUR BILIOCH	95-129	2204962
<b>Palwal Divn.</b>			
1	220 KV Megpur PWL	95-1275	207704
2	66 KV HODAL	95-1275	235576
3	66 KV CHANDHUT	95-1275	276767
4	66 KV PALWAL	95-1275	252719
5	66 KV HASSANPUR	95-1275	271471
6	66 KV Allawalpur	95-1275	268432
7	66 KV AURANGABAD	95-1275	9354112503
8	66 KV Bhagola	95-1275	9354112504

8 <b>Tranmission Line Detail and Divn Wise 33 KV line details (Feeding end, Length, Size of conductor, Max Load) In respect of (OP) Circle Faridabad.</b>							
Sr. No.	Detail of 33 KV Line	Name of feedeing end S/Stn	Voltage level in KVA	No of Ckt	Length (in KM)	Size of ACSR	Max. Load recorded during 2006-07 (Amps)
1	220 KV A-3 Palla to IAC M/Road	IAC M/Road	33/11	S/C	3.5	0.2 Sq	120
2	66 KV A-4 to Escort-1	Escort-1	33/11	S/C	6	0.1 Sq	200
3	66 KV Badrola to Fateh pur Biloch	Fatehpur Biloch	33/11	S/C	15	0.75 Sq	80
4	220 KV BBMB to Good Year	Good Year		S/C	4.2	0.75 Sq	Consumer S/Stn.



<b>9</b>					
<b>Detail of Division Wise feeder load detail of Faridabad Circle</b>					
<b>OP Divn. Old Faridabad</b>					
<b>Sr no.</b>	<b>Name of S/Stn.</b>	<b>11 KV Feeder</b>	<b>Size of Conductor</b>	<b>Length of line in KM</b>	<b>Max Load on 11 KV Feeder during 2006-07 in Amp.</b>
<b>1</b>	<b>33 KV M/ROAD</b>				
1		IND CLUTCH-AUTO	3/8 SWG	0.5	60
2		11 KV USHA SPINNING	3/8 SWG	2.1	100
3		SKN	3/8 SWG,80 MM	12	260
4		SANTOSH	3/8 SWG	1.8	190
5		INTERLINKING USA	3/8 SWG	5	90
<b>2</b>	<b>33 KV ESCORTS</b>				
6		SECTOR-15-A	3/8 SWG	1.5	180
7		SECTOR-16-A	3/8 SWG	8	120
8		CKT. HOUSE	3/8 SWG	1.8	120
9		IND TELE. EXCH.	3/8 SWG	4	20
10		IND ESCORT-I	3/8 SWG	1.2	180
11		IND THOMSON	3/8 SWG	0.2	30
12		SECTOR-15-B	3/8 SWG	0.6	150
13		IND DELTON CABLE	3/8 SWG	3	10
<b>3</b>	<b>220 KV A3 PALLA</b>				
14		PALLA	3/8 SWG,80 MM	2.6	300
15		TILPAT	3/8 SWG	9.8	190
16		ASHOKA	3/8 SWG,80 MM	4.3	300
17		IND PETS	3/8 SWG	0.8	10
18		J.V.V.	3/8 SWG	0.8	100
19		L.F.M.	3/8 SWG,80 MM	3.2	260
20		ESCORTS PALLA	3/8 SWG,80 MM	3	290
21		TALBROS	3/8 SWG,80 MM	6.1	300
22		I.G.C.	3/8 SWG,80 MM	8.2	280
23		SECTOR-28 (NHPC)	3/8 SWG	1.5	140
24		SECTOR-37	3/8 SWG,80 MM	6.2	280
25		K. KALAN	3/8 SWG	15	60
26		D.L.F.	3/8 SWG,80 MM	7.6	300
27		N.A.P.	3/8 SWG,80 MM	1.3	250
28		S.A.P.	3/8 SWG	2.8	200
<b>4</b>	<b>66 KV A-4</b>				
29		NEW SECTOR-16	3/8 SWG,80 MM	5	240
30		CITY	3/8 SWG,80 MM	5	230
31		SECTOR-17	3/8 SWG	8.5	170
32		SECTOR-18	3/8 SWG	2	140
33		BHOOD COLONY	3/8 SWG	25	130
34		IND SUNFLAG	3/8 SWG	2.8	45
35		PUBLIC HEALTH A-4	3/8 SWG	3	60
36		KHERI KALAN	3/8 SWG,80 MM	6.2	320
37		SECTOR-19	3/8 SWG,80 MM	5.5	240
38		INDRA COMPLEX	3/8 SWG,80 MM	5.5	240
39		MCF DISPOSAL	3/8 SWG	20	5
40		BASELWA	3/8 SWG	8	130

<b>5</b>	<b>66 KV NH-3</b>				
41		O/G NH-4	3/8 SWG	2	140
42		S.G.M. C	3/8 SWG	2	180
43		S.G.M. B	3/8 SWG	2	170
44		SAINIK COLONY-1	3/8 SWG	2	110
45		BADKHAL	3/8 SWG	1	110
46		PNB/NEHRU GROUND	3/8 SWG	1	130
47		METRO FEEDER	3/8 SWG	4	90
48		ESI	3/8 SWG	5	100
49		SAINIK COLONY-2	3/8 SWG	2	50
50		B.K.Hospital	3/8 SWG	3.2	20
<b>6</b>	<b>66 KV S/STN SECTOR-46</b>				
51		SECTOR 21-D	3/8 SWG	2	130
52		SECTOR 21-A & B	3/8 SWG	2	200
53		SECTOR 21-C	3/8 SWG	2	150
54		MEWLA M.PUR	3/8 SWG	5	60
55		SECTOR-46	3/8 SWG	3.5	160
56		GREEN FIELD 1	3/8 SWG	1	ON
57		GREEN FIELD 2	3/8 SWG	2	90
<b>7</b>	<b>66 KV SECTOR-31</b>				
58		SECTOR-28 P-I	3/8 SWG	0.5	90
59		SECTOR-29	3/8 SWG,80 MM	3.2	220
60		DLF	3/8 SWG	4.5	50
61		SECTOR-31	3/8 SWG	7.6	150
62		SECTOR-28 P-II	3/8 SWG	3.5	200
63		HSIDC	3/8 SWG,80 MM	6.5	230
64		SHAHI EXPORT	3/8 SWG	3.5	70
65		SECTOR-27/NEW CITY	3/8 SWG,80 MM	4.5	270
66		HAVELS	3/8 SWG,80 MM	3.5	240
67		ESCORTS	3/8 SWG,80 MM	3.2	300
<b>8</b>	<b>66 KV FORD</b>				
68		IND ESCORT-III	3/8 SWG	2	160
69		NEW SECTOR-15	3/8 SWG,80 MM	0.2	270
70		SECTOR-14 MKT	3/8 SWG	4.5	120
71		IND ESCORTS FORD	3/8 SWG,80 MM	2	300
72		SECTOR-9 WEST	3/8 SWG,80 MM	2	240
73		PRERNA DHAM	3/8 SWG,80 MM	1	250
74		IND I.O.C.	3/8 SWG	1.5	100
75		SECTOR-14	3/8 SWG,80 MM	0.5	220
76		SECTOR-9 EAST	3/8 SWG	4	120
77		SECTOR-16	3/8 SWG,80 MM	5	300
78		IND P/HEALTH FORD	3/8 SWG	5.8	ON
<b>9</b>	<b>66 KV USA</b>				
79		S/KUND	3/8 SWG,80 MM	12.5	210
80		BHARAT CARPET	3/8 SWG	1.2	20
81		S.O.S. BALGRAM	3/8 SWG	7.5	120
82		M/ROAD INTERLINKING	3/8 SWG	5	150
83		IND J/STEEL	3/8 SWG	5	160
84		11 KV NHPC	3/8 SWG	3.5	5
85		A/PUR	3/8 SWG	5	35
86		E/GARDEN	3/8 SWG,80 MM	3.2	240
87		TOURIST COMPLEX	3/8 SWG	5	40

<b>10</b>	<b>66 KV BHOPANI</b>				
88		MAHATPUR FEEDER	3/8 SWG	7	10
89		BHOPANI	3/8 SWG	15	140
90		JASANA FEEDER	3/8 SWG	7	180
91		IND VASUNDRA	3/8 SWG	0.3	10
92		NACHOLI	3/8 SWG	8	90

**OP Divn. Faridabad**

<b>1</b>	<b>66 KV A-2</b>				
1		IND XPRO INDIA	3/8 SWG	4	70
2		RING MAIN-III	3/8 SWG	1	200
3		TOWN SHIP	3/8 SWG,80 MM	3	240
4		IND LAUL MILL	3/8 SWG	4	ON
5		PUBLIC HEALTH	3/8 SWG,80 MM	1	280
6		THERMAL COLONY	3/8 SWG	4.5	80
7		PNB/NEHRU GROUND	3/8 SWG	1.2	170
8		NH. 5	3/8 SWG,80 MM	3.4	360
9		SANJAY COLONY	3/8 SWG,80 MM	4	300
10		TIKONA PARK	3/8 SWG	4.4	110
11		NEELAM	3/8 SWG	3	160
12		RING MAIN I	3/8 SWG,80 MM	3	240
13		IND KELVINATOR	3/8 SWG	3.5	60
14		IND ESCORTS	3/8 SWG	0.8	80
15		RINGMAIN-II	3/8 SWG	3.2	130
16		IND ESCORT HOSPITAL	3/8 SWG	3	60
17		MUJESAR	3/8 SWG	2.7	80
<b>2</b>	<b>66 KV FCI</b>				
18		S.G.M. NAGAR	3/8 SWG	0.6	150
19		O/G NH-III	3/8 SWG,80 MM	6	300
20		PARBATIA COLONY	3/8 SWG	2.5	200
21		RING ROAD	3/8 SWG	1	80
22		PALI	3/8 SWG	32	90
23		KAPRA COLONY	3/8 SWG,80 MM	6	220
24		HARD WARE	3/8 SWG	4	130
25		NH-I	3/8 SWG	1.3	130
26		O/G NH.-2	3/8 SWG,80 MM	4	250
27		JANTA COLONY	3/8 SWG	5.5	130
28		O/G Outer Road	3/8 SWG	3	160
29		JAWAHAR COLONY-I	3/8 SWG	5.7	190
30		IND AIR FORCE	3/8 SWG	3.5	20
31		JAWAHAR COLONY-II	3/8 SWG	4.2	100
32		DABUA COLONY	3/8 SWG,80 MM	4.2	210
33		Pali Road	3/8 SWG	4.5	90
<b>3</b>	<b>66 KV OSWAL</b>				
34		ROLLING MILL	3/8 SWG,80 MM	2.2	220
35		SANJAY COLONY	3/8 SWG,80 MM	5.3	250
36		IND HINDUSTAN WIRE	3/8 SWG,80 MM	1.7	260
37		SAPNA TEXTILE	3/8 SWG,80 MM	1	250
38		IND LAKHANI	3/8 SWG,80 MM	1.2	230
39		IND INVEL	3/8 SWG	2.3	100
40		EICHER COLONY	3/8 SWG	1	ON

<b>4</b>	<b>66 KV DABRIWALA</b>				
41		SECTOR- 24	3/8 SWG	2.3	160
42		COTTON MILL	3/8 SWG	2.3	170
43		SECTOR-22 & 23	3/8 SWG	1.2	190
44		IND JAYCO	3/8 SWG	3.1	60
45		INDUSTRIAL DABRIWALA	3/8 SWG,80 MM	1.2	250
46		IND PUNJAB INDS.	3/8 SWG	2.3	200
47		F.S.I.A.	3/8 SWG,80 MM	1.8	220

**OP Divn. Ballabgarh**

<b>1</b>	<b>66 KV S/STN BADROLA</b>				
1		PANHERA	3/8 SWG	17	170
2		DALALPUR	3/8 SWG,80 MM	30	280
3		TIGAON	3/8 SWG,80 MM	30	300
4		ARWA	3/8 SWG	25	140
5		NEEMKA	3/8 SWG	24	190
6		MANJHAWALI	3/8 SWG,80 MM	25	300
7		CHANDPUR/ATALI	3/8 SWG	48	130
8		KURALI	3/8 SWG,80 MM	10	230
<b>2</b>	<b>66 KV JHAR SETELY</b>				
9		SEEKRI	3/8 SWG	12	
10		IND IOC	3/8 SWG	15	160
11		SUNFED	3/8 SWG	41	60
12		IND ORIENT STEEL	3/8 SWG,80 MM	0.8	390
13		HUDA SEC-58	3/8 SWG	10	180
14		11 KV JCB	3/8 SWG	1.5	80
15		IRCON	3/8 SWG,80 MM	4	220
16		AUTO METER	3/8 SWG,80 MM	3.2	240
17		IND M.M. CASTING	3/8 SWG	4	60
18		HSIDC	3/8 SWG	2	180
19		IND B/PETROLIUM	3/8 SWG	4	40
20		SECTOR-59 FDR	3/8 SWG	0.2	100
<b>3</b>	<b>66 KV HYDERABAD</b>				
21		INDUSTRIAL H/BAD	3/8 SWG	4	200
22		TELEFUNKEN	3/8 SWG,80 MM	7	300
23		SECTOR-55	3/8 SWG	6	160
24		N/HIGHWAY	3/8 SWG	6	190
25		PHEALTH H/BAD	3/8 SWG	6.1	20
26		IND HIGH POLYMER	3/8 SWG	2	70
27		IND NTPC	3/8 SWG	3	20
28		BHAGWATI OXY.	3/8 SWG	6	110
29		CONT.PROCESS	3/8 SWG,80 MM	3	260
30		IND HYDRABAD	3/8 SWG	0.3	100
31		GOUNCHI	3/8 SWG	1	80
32		NEW 11KV SAMAYPUR	3/8 SWG	16	C/DAMAGE
33		IND. Teekam Saha	3/8 SWG	6	160
34		OSWAL GLOBLE	3/8 SWG	2.8	20

<b>4</b>	<b>66 KV DHOIJ</b>				
35		PAKHAL	3/8 SWG	43	130
36		O/G ckt-3	3/8 SWG,80 MM	15	300
37		O/G C-4	3/8 SWG,80 MM	15	300
38		D-I DHOIJ	3/8 SWG	1.5	20
39		D-II DHOIJ	3/8 SWG	4	100
40		O/G DHOIJ	3/8 SWG,80 MM	8	260
41		O/G Ckt-1	3/8 SWG	15	200
42		O/G Ckt-2	3/8 SWG	15	200
<b>5</b>	<b>66 KV NORTHERN INDIA</b>				
43		IND VXL	3/8 SWG	0.1	45
44		IND ORIENT GENERAL	3/8 SWG	2	20
45		IND HEINLEHMAN	3/8 SWG	1	15
46		IND BHATIA CUTTER HAMMER	3/8 SWG	0.5	85
47		BONEY	3/8 SWG,80 MM	0.5	300
48		SANJAY MEMORIAL	3/8 SWG	5	140
49		11 KV SOHNA ROAD	3/8 SWG	2.5	180
<b>6</b>	<b>66 KV ESCORTS-II</b>				
50		IND ESCORTS MSD	3/8 SWG	4	150
51		IND GEMOTER	3/8 SWG	5	130
52		INTERLINKING	3/8 SWG,80 MM	4	270
53		SECTOR-20B	3/8 SWG	4	130
54		SECTOR-11	3/8 SWG	1.5	130
<b>7</b>	<b>66 KV G/STEEL</b>				
55		IND STAR WIRE (EXPORT)	3/8 SWG,80 MM	0.4	550
56		CIVIL HOSPITAL	3/8 SWG	2.5	10
<b>8</b>	<b>66 KV A-5</b>				
57		MIRJAPUR DISPOSAL	3/8 SWG	13	120
58		SECTOR-10	3/8 SWG	28	160
59		RAGHUVVEER COLONY	3/8 SWG	6	80
60		MOHNA ROAD	3/8 SWG,80 MM	4	240
61		DEEG.	3/8 SWG	12	140
62		IND E.S.I.	3/8 SWG	25	10
63		HOUSING BOARD	3/8 SWG	2	60
64		IND P/HEALTH M/DISPOSAL	3/8 SWG	2.2	10
65		SECTOR-8 MCF	3/8 SWG	2.8	40
66		SECTOR-8	3/8 SWG,80 MM	3	240
67		BALLABGARH-I	3/8 SWG,80 MM	7	300
68		SECTOR-3	3/8 SWG,80 MM	15	210
69		TIGAON FEEDERS	3/8 SWG	3.5	120
<b>9</b>	<b>66 KV PARTAP STEEL</b>				
70		SECTOR-6-II	3/8 SWG	1	190
71		SECTOR-4	3/8 SWG	3	110
72		GURGAON CANAL	3/8 SWG	3	120

<b>10</b>	<b>66 KV IDGAH</b>				
73		SECTOR-6-1	3/8 SWG,80 MM	1	210
74		SOVERN	3/8 SWG	4.5	70
75		CHAWLA COLONY	3/8 SWG	3	190
76		SECTOR-7	3/8 SWG,80 MM	6	210
77		IND B.D. GHAI	3/8 SWG,80 MM	5	210
78		BALLABGARH-III	3/8 SWG,80 MM	3	290
79		IND C.R.I.	3/8 SWG	12	60
80		P/HEALTH IDGAH	3/8 SWG,80 MM	0.5	220
81		IND SHAYAM TEXTILE	3/8 SWG	5	90
82		SECTOR-4	3/8 SWG	4	100
<b>11</b>	<b>66 KV CHHAINSA</b>				
83		NARYALA	3/8 SWG	37	200
84		CHHAINSA	3/8 SWG	20	170
85		ATALI	3/8 SWG,80 MM	20	280
86		NARAHWALI	3/8 SWG	22	120
87		KHADAR	3/8 SWG,80 MM	3.2	300
88		MOHNA	3/8 SWG	27	180
89		JALAKA FEEDER	3/8 SWG	15	160
90		11 KV SHEIKHPUR	3/8 SWG	15	
91		P/HEALTH - I CHHAINSA	3/8 SWG	23	ON
92		P/HEALTH - II CHHAINSA	3/8 SWG	17	2
<b>12</b>	<b>220 KV PALI</b>				
93		BHAKRI FEEDER	3/8 SWG	4	170
94		Bajri FEEDER	3/8 SWG	19	160
<b>13</b>	<b>33 KV FATEHPUR BILIOCH</b>				
95		FATEHPUR	3/8 SWG	15	90
96		DAYALPUR	3/8 SWG	23	140
97		PANHERA	3/8 SWG	25	70
98		JAWAN	3/8 SWG	25	110

**OP Divn. Palwal**

<b>1</b>	<b>66 KV HASSANPUR</b>				
1		HASSANPUR	3/8 SWG	8	120
2		KASHIPUR	3/8 SWG	18	100
3		TAPPA	3/8 SWG	44	130
4		BHIDUKI	3/8 SWG	36	170
5		KHAMBHI	3/8 SWG	28	180
<b>2</b>	<b>220 KV Megpur PWL</b>				
6		DHATIR	3/8 SWG	32	80
7		RURAL(PWL)	3/8 SWG	36.5	80
8		IND DOABA MILK PLANT	3/8 SWG	15	10
9		IND BALLARPUR PALWAL	3/8 SWG	3	
10		PRITHLA I/A	3/8 SWG,80 MM	6.5	260
11		PATLI GATE	3/8 SWG	19.5	150
12		HUDA SEC-2	3/8 SWG	7	10
13		DUDHOLA	3/8 SWG	60	100
14		TEHERKI	3/8 SWG	4	140
15		11KV STP	3/8 SWG	6	10

<b>3</b>	<b>66 KV HODAL</b>				
16		O/G HODAL-1	3/8 SWG	42	140
17		HODAL-2	3/8 SWG	8	110
18		AURANGABAD	3/8 SWG	5	190
19		BAHIN	3/8 SWG	41	200
20		BHIDUKI	3/8 SWG	38	200
21		BORAKA	3/8 SWG	84	110
22		DABCHIK	3/8 SWG	4	10
23		HODAL-3	3/8 SWG	35	140
24		BAHIN W/S	3/8 SWG	8	10
<b>4</b>	<b>66 KV CHANDHUT</b>				
25		GHORI	3/8 SWG	60	120
26		SUJAWARI	3/8 SWG	35	140
27		MEESA	3/8 SWG	48	160
28		BAROLI	3/8 SWG	46	200
29		CHANDHUT	3/8 SWG	48	180
30		11 KV DSPI	3/8 SWG	7.5	TDCO
<b>5</b>	<b>66 KV PALWAL</b>				
31		ALLAWALPUR	3/8 SWG	20	120
32		PELAK PUMP HOUSE	3/8 SWG	18	70
33		CITY-III	3/8 SWG	7	170
34		SIHOLE	3/8 SWG	6	200
35		I.T.I.	3/8 SWG,80 MM	43	300
36		BAMNI KHERA	3/8 SWG	12	100
37		BATA	3/8 SWG,80 MM	26	260
38		CITY-I	3/8 SWG,80 MM	14	280
39		CITY-II	3/8 SWG,80 MM	15	275
40		PRITHLA	3/8 SWG,80 MM	14.5	320
<b>6</b>	<b>66 KV Allawalpur</b>				
41		Katesra	3/8 SWG	78	120
42		Alawalpur	3/8 SWG	6	120
43		Lalpura	3/8 SWG	18	170
44		Pelak Pump House	3/8 SWG	16	6
45		Amarpur	3/8 SWG	6	140
46		SADARPUR	3/8 SWG	16	150
<b>7</b>	<b>66 KV AURANGABAD</b>				
47		BAMNI KHERA	3/8 SWG	12	160
48		AURANGABAD	3/8 SWG	18	150
49		IND BALLARPUR /SOLAKA	3/8 SWG	20	20
50		11 KV R.P.S VIKASH	30 MM	5	200
<b>8</b>	<b>66 KV Bhagola</b>				
51		Harfali	30 MM	36	290
52		Prithala INDL	3/8 SWG,80 MM	12	300
53		Asawati	30 MM	22	110
54		Tatarpur	3/8 SWG,80 MM	17	180
55		Agwanpur	30 MM	15	100

<b>10 Divn wise detail of 33 KV S/STn with Capacity Maximum Load T/F wise Maximum Load of S/Stn in respect of (OP) Circle Faridabad</b>					
<b>SR. NO.</b>	<b>NAME OF S/STN.</b>	<b>Max Load of the S/Stn (In MVA)</b>	<b>Capacity of T/F (In MVA)</b>	<b>Voltage Level (In KV)</b>	<b>Maxi. Load recorded during 2006-07 (In MVA)</b>
<b>Old Faridabad</b>					
1	33 KV M/ROAD	3	6.3	33/11	160
		5	6.3	33/11	260
2	33 KV ESCORTS	8	2X4	33/11	420
		6.1	6.3	33/11	320
<b>Ballabagrh Divn.</b>					
1	33 KV FATEHPUR BILIOCH	5	5	33/11	260



<b>11 Detail of 11 KV Capacitors installed under (OP) Circle Faridabad.</b>						
Sr No.	Name of S/Stn	Volatge Rating of Capacitor in KV	Capacity at related Voltage in MVAR	No. of units forming the Capacitor in No.	Capacity of each unit in KVAR	Make
1	66 KV A-2					
	11 KV Capacitor- 1	11 KV	3	15	200	SHREEN
	11 KV Capacitor- II	11 KV	3	15	200	SHREEN
	11 KV Capacitor- III	11 KV	3	15	200	SHREEN
2	66 KV Jharsetly					
	11 KV Capacitor- 1	11 KV	3	15	200	SHREEN
	11 KV Capacitor- II	11 KV	3	15	200	SHREEN
3	66 KV A- 5					
	11 KV Capacitor- 1	11 KV	3	15	200	SHREEN
	11 KV Capacitor- II	11 KV	3	15	200	SHREEN
4	66 KV S/Stn. Chhainsa					
	11 KV Capacitor- 1	11 KV	3	15	200	SHREEN
	11 KV Capacitor- II	11 KV	3	15	200	SHREEN
5	66 KV A- 4					
	11 KV Capacitor- 1	11 KV	3	15	200	SHAKTI
	11 KV Capacitor- II	11 KV	3	30	200	SHREEN
6	66 KV Dhauj					
	11 KV Capacitor- 1	11 KV	3	15	200	MOHAN ELECTRIC
	11 KV Capacitor- II	11 KV	3	15	200	SHREEN
7	66 KV Globe Steel					
	11 KV Capacitor- 1	11 KV	3	15	200	SHREEN
	11 KV Capacitor- II	11 KV	3	15	200	SHREEN
8	66 KV Northen India					
	11 KV Capacitor- 1	11 KV	3	15	200	SHREEN
	11 KV Capacitor- II	11 KV	3	15	200	SHREEN
9	66 KV Hydrabad					
	11 KV Capacitor- 1	11 KV	3	15	200	SHREEN
	11 KV Capacitor- II	11 KV	3	15	200	SHREEN
10	66 KV Oswal Steel					
	11 KV Capacitor- 1	11 KV	3	15	200	SHREEN
	11 KV Capacitor- II	11 KV	3	15	200	SHREEN
11	66 KV Badrola					
	11 KV Capacitor- 1	11 KV		15	200	SHREEN
	11 KV Capacitor- II	11 KV		15	200	MOHAN ELECTRIC

12	66 KV Escort-II					
	11 KV Capacitor- 1	11 KV	3	15	200	SHREEN
	11 KV Capacitor- II	11 KV	3	15	200	SHREEN
13	66 KV Ford					
	11 KV Capacitor- 1	11 KV	3	15	200	SHREEN
	11 KV Capacitor- II	11 KV	3	15	200	SHREEN
14	66 KV Sec-31					
	11 KV Capacitor- 1	11 KV	3	15	200	SHREEN
	11 KV Capacitor- II	11 KV	3	15	200	SHREEN
15	66 KV Idgah					
	11 KV Capacitor- 1	11 KV	3	15	200	SHREEN
	11 KV Capacitor- II	11 KV	3	15	200	SHREEN
16	66 KV N/India					
	11 KV Capacitor- 1	11 KV	3	15	200	SHREEN
	11 KV Capacitor- II	11 KV	3	15	200	SHREEN
17	66 KV Palwal					
	11 KV Capacitor- 1	11 KV	3	15	200	SHREEN
	11 KV Capacitor- II	11 KV	3	15	200	SHREEN
	11 KV Capacitor- III	11 KV	6	30	200	SHREEN
18	66 KV Hodal					
	11 KV Capacitor- 1	11 KV	3	15	200	Jar Singh puriva
19	66 KV Chandhut					
	11 KV Capacitor- 1	11 KV	6	30	200	SHAKTI
20	66 KV Bhagola					
	11 KV Capacitor- 1	11 KV	6	30	200	SHREEN
21	220 KV Palla					
	66 KV Capacitor- 1	66 KV	20	144	600	SHREEN
	11 KV Capacitor- II	11 KV	3	30	200	SHREEN
	11 KV Capacitor- III	11 KV	3	30	200	SHREEN
22	220 KV Palwal					
	66 KV Capacitor- 1	66 KV	20	46	200 Each	SHREEN
	11 KV Capacitor- II	11 KV	6	30	200	SHREEN