



DAKSHIN HARYAN BIJLI VITRAN NIGAM

TECHNICAL DIARY

'OP' CIRCLE

BHIWANI

(AS ON 31-03-2007)

INDEX

Sr. No.	Description	Page No.
1	33 KV S/Stns., Ongoing Works	1
2	Approved 33 KV Works	.1.
3	Division Wise S/Stn. Detail	2-4.
4	District Wise S/Stn. Detail	5-6.
5	Detail of 11 KV Feeders	.7-11
6	Important Telephone of District Administration	.12-17
7	Power Map	18
8	Single Line Diagram of 220/132/33 KV S/Stns.	.19-38
9	Telephone No. of DHBVN Circle Administration	39-42
10	Transmission Line Data	43-44
11	Division Wise 11 KV Feeders Load Detail	45-50
12	Division Wise 33 KV S/Stn. Load Detail	51
13	Capacitor Bank Detail	52-53

**LIST OF ONGOING PROJECTS OF 33 KV S/STNS., UNDER OP
CIRCLE BHIWANI**

Sr. No.	Name of S/Stn.	Capacity
1	Kakroli Sardara	10 MVA, 33/11 KV T/F
2	Mandola	10 MVA, 33/11 KV T/F
3	Chhapar	10 MVA, 33/11 KV T/F
4	Kari Dharni	10 MVA, 33/11 KV T/F
5	Bapora	10 MVA, 33/11 KV T/F
6	Hassan	10 MVA, 33/11 KV T/F
7	Barlau	10 MVA, 33/11 KV T/F
8	Alampur	10 MVA, 33/11 KV T/F
9	Khudana	6.3/8 MVA, 33/11 KV T/F
10	Siswala	6.3/8 MVA, 33/11 KV T/F
11	Pichopakalan	1x5 MVA, 33/11 KV T/F
12	Patodi	6.3/8 MVA, 33/11 KV T/F
13	Kheri Batter	6.3/8 MVA, 33/11 KV T/F

2. LIST OF APPROVED 33 KV WORKS UNDER OP CIRCLE BHIWANI

Sr. No.	Name of S/Stn.	Capacity
1	Singhani	10 MVA, 33/11 KV T/F
2	Chehar Kalan	6.3/8 MVA, 33/11 KV T/F
3	Budhera	10 MVA, 33/11 KV T/F

3 Division Wise Sub-Stations

2

Sr. No	Name of Divn.	No. of S/Stn.in KV				Total
		400	220	132	33	
1	City Divn Bhiwani	1	1	3	6	11
2	SU Divn Bhiwani	0	0	5	8	13
3	OP Divn Ch.Dadri	0	1	5	10	16
	G.Total	1	2	13	24	40

4 District Wise Sub-Stations

Sr. No	Name of Distt.	No. of S/Stn.in KV				Total
		400	220	132	33	
1	Bhiwani	1	2	13	24	40

3

DIVISION WISE

3

LIST OF EXISTING 400KV,220 KV,132KV & 33KV

S/STNS UNDER 'OP' CIRCLE, BHIWANI AS ON 31.3.07.

S.No.	Name of S/Stn	Capacity of Power T/F installed	
		Nos	Voltage Ratio
OP CITY DIVN. BHIWANI			
400 KV S/Stn.			
1	400 KV S/Stn. BBMB Prem Nagar	1X500 MVA	400/220 KV
220 KV S/Stn.			
2	220KV S/Stn. Bhiwani	3X100MVA 1X10/16MVA	220/132 KV 132/11 KV
132 KV S/Stn.			
1	132KV S/Stn. Bhiwani	1X20/25MVA 1X10/16MVA 1X4MVA	132/33KV 132/11KV 33/11KV
2	132KV S/Stn. Tosham	1X10/16MVA	132/11KV
3	132KV S/Stn. I/Area Bhiwani	2X10/16MVA	132/11KV
33 KV S/Stn.			
1	33KV S/Stn. Chang	1x6.3/8MVA	33/11KV
2	33KV S/Stn. HUDA bhiwani	1x6.3/8MVA	33/11KV
3	33KV S/Stn. Tosham	1x6.3 MVA 2X4 MVA	33/11KV 33/11KV
4	33KV S/Stn. N/Canal	1x6.3MVA 1x4MVA	33/11KV 33/11KV
5	33KV S/Stn Khanak	1x6.3/8MVA	33/11KV
6	33KV S/Stn. Bawani Khera	2x4MVA	33/11KV
OP, S/U DIVISION Bhiwani			
132 KV S/Stn.			
1	132 KV S/Stn. Jui	2X10/16MVA 1X10/16MVA	132/33KV 132/11KV
2	132 KV S/Stn. Dhigawa	1X16/20MVA 2X10/16MVA	132/33KV 132/11KV
3	132 KV S/Stn. Loharu	2X10/16MVA	132/11KV
4	132 KV S/Stn. Behal	2X10/16MVA	132/11KV
5	132 KV S/Stn. Miran	1X20/25MVA 1X8MVA	132/33KV 132/11KV
33 KV S/Stn.			
1	33KV S/Stn. Devrala	2x6.3 MVA	33/11KV
2	33KV S/Stn. Dwarka	2X4 MVA	33/11KV
3	33KV S/Stn. Mithi	1X4MVA	33/11KV

4	33KV S/Stn. Serla	1X5 MVA	33/11KV
5	33KV S/Stn. Lohani	1X5MVA	33/11KV
		1X6.3/8MVA	33/11KV
6	33KV S/Stn. Nekipur	3x5MVA	33/11KV
7	33KV S/Stn. Siwani	1x5MVA	33/11KV
		1x6.3MVA	33/11KV
8	33KV S/Stn. Isherwal	1x6.3/8MVA	33/11KV
		1x6.3MVA	33/11KV
OP, DIVISION Ch.Dadri			
220 KV S/Stn.			
1	220KV S/Stn BBMB Dadri	2X100MVA	220/132KV
132 KV S/Stn.			
1	132 KV S/Stn.Badhra	1X10/16MVA	132/33KV
		1X10/16MVA	132/11KV
		1X5MVA	33/11KV
2	132 KV S/Stn. Atela Kalan	2X10/16MVA	132/11KV
		1X10/16MVA	132/33KV
3	132 KV S/Stn. Dadri-1	1X10/16MVA	132/11KV
		2X8/4/4MVA	132/33/3.3KV
		1X4MVA	33/11KV
4	132 KV S/Stn. Dadri-2	2X10/16MVA	132/33KV
		1X10/16MVA	132/11KV
5	132 KV S/Stn. Jhojhu	1X10/16MVA	132/33KV
		2X10/16MVA	132/11KV
33 KV S/Stn.			
1	33KV S/Stn. Lad	1x5MVA	33/11KV
		1x6.3/8MVA	33/11KV
2	33KV S/Stn. Berla	3x5MVA	33/11KV
3	33KV S/Stn. Mandhi	1x5MVA	33/11KV
		2x4MVA	33/11KV
4	33KV S/Stn. Sanjarwas	2x4MVA	33/11KV
		1x6.3MVA	33/11KV
5	33KV S/Stn. Makrana	1x5MVA	33/11KV
		1x4MVA	33/11KV
6	33KV S/Stn. Morwala	1x6.3MVA	33/11KV
7	33KV S/Stn. R.D.0	1x5MVA	33/11KV
		1x4MVA	33/11KV
8	33KV S/Stn. Rudrol	2x4MVA	33/11KV
		1x5MVA	33/11KV
		1x6.3MVA	33/11KV
9	33KV S/Stn. Kadma	3x5MVA	33/11KV
10	33KV S/Stn. Nandha	1x4MVA	33/11KV

LIST OF 33KV & ABOVE S/STNs UNDER BHIWANI DISTT.

S.No.	Name of S/Stn	Capacity of Power T/F installed	
		Nos	Voltage Ratio
	400 KV S/Stn.		
1	400 KV S/Stn. BBMB Prem Nagar	1X500 MVA	400/220 KV
	220 KV S/Stn.		
1	220KV S/Stn. Bhiwani	3X100MVA 1X10/16MVA	220/132 KV 132/11 KV
2	220KV S/Stn BBMB Dadri	2X100MVA	220/132KV
	132 KV S/Stn.		
1	132KV S/Stn. Bhiwani	1X20/25MVA 1X10/16MVA 1X4MVA	132/33KV 132/11KV 33/11KV
2	132KV S/Stn. Tosham	1X10/16MVA	132/11KV
3	132KV S/Stn. I/Area Bhiwani	2X10/16MVA	132/11KV
4	132 KV S/Stn. Jui	2X10/16MVA 1X10/16MVA	132/33KV 132/11KV
5	132 KV S/Stn. Dhigawa	1X16/20MVA 2X10/16MVA	132/33KV 132/11KV
6	132 KV S/Stn. Loharu	2X10/16MVA	132/11KV
7	132 KV S/Stn. Behal	2X10/16MVA	132/11KV
8	132 KV S/Stn. Miran	1X20/25MVA 1X8MVA	132/33KV 132/11KV
9	132 KV S/Stn. Badhra	1X10/16MVA 1X10/16MVA 1X5MVA	132/33KV 132/11KV 33/11KV
10	132 KV S/Stn. Atela Kalan	2X10/16MVA 1X10/16MVA	132/11KV 132/33KV
11	132 KV S/Stn. Dadri-1	1X10/16MVA 2X8/4/4MVA 1X4MVA	132/11KV 132/33/3.3KV 33/11KV
12	132 KV S/Stn. Dadri-2	2X10/16MVA 1X10/16MVA	132/33KV 132/11KV
13	132 KV S/Stn. Jhojhu	1X10/16MVA 2X10/16MVA	132/33KV 132/11KV
	33 KV S/Stn.		
1	33KV S/Stn. Chang	1x6.3/8MVA	33/11KV
2	33KV S/Stn. HUDA bhiwani	1x6.3/8MVA	33/11KV
3	33KV S/Stn. Tosham	1x6.3 MVA 2X4 MVA	33/11KV 33/11KV
4	33KV S/Stn. N/Canal	1x6.3MVA 1x4MVA	33/11KV 33/11KV
5	33KV S/Stn Khanak	1x6.3/8MVA	33/11KV
6	33KV S/Stn. Devrala	2x6.3 MVA	33/11KV
7	33KV S/Stn. Dwarka	2X4 MVA	33/11KV
8	33KV S/Stn. Mithi	1X4MVA	33/11KV
9	33KV S/Stn. Serla	1X5 MVA	33/11KV

10	33KV S/Stn. Lohani	1X5MVA	33/11KV
		1X6.3/8MVA	33/11KV
11	33KV S/Stn. Nekipur	3x5MVA	33/11KV
12	33KV S/Stn. Siwani	1x5MVA	33/11KV
		1x6.3MVA	33/11KV
13	33KV S/Stn. Isherwal	1x6.3/8MVA	33/11KV
		1x6.3MVA	33/11KV
14	33KV S/Stn. Lad	1x5MVA	33/11KV
		1x6.3/8MVA	33/11KV
15	33KV S/Stn. Berla	3x5MVA	33/11KV
16	33KV S/Stn. Mandhi	1x5MVA	33/11KV
		2x4MVA	33/11KV
17	33KV S/Stn. Sanjarwas	2x4MVA	33/11KV
		1x6.3MVA	33/11KV
18	33KV S/Stn. Makrana	1x5MVA	33/11KV
		1x4MVA	33/11KV
19	33KV S/Stn. Morwala	1x6.3MVA	33/11KV
20	33KV S/Stn. R.D.0	1x5MVA	33/11KV
		1x4MVA	33/11KV
21	33KV S/Stn. Rudrol	2x4MVA	33/11KV
		1x5MVA	33/11KV
		1x6.3MVA	33/11KV
22	33KV S/Stn. Kadma	3x5MVA	33/11KV
23	33KV S/Stn. Bawani Khera	2x4MVA	33/11KV
24	33KV S/Stn. Nandha	1x4MVA	33/11KV

7 DETAILS OF 11 KV FEEDERS OF BHIWANI CIRCLE								
Sr. No.	Name of Divn.	Rural	Urban	Independent	Indusrial	Essential	Mixed	Total
1	City Bhiwani	18	13	0	11	7	1	50
2	SU Bhiwani	67	1	2	1	5	1	77
3	'OP' Dadri	55	4	1	0	14	2	76
	Total	140	18	3	12	26	4	203

5) Detail of 11KV Feeders (Rural,Urban, Independent. Essential) District Bhiwani		
OP City Divn Bhiwani		
Sr. No.	Name of 11kv feeder	Feeder's Nature
S/Divn. Tosham		
1	Bapora	Rural
2	Jhhanvari	Rural
3	Patodi	Rural
4	Tosham	Rural
5	Biran	Rural
6	Baganwala	Industrial
7	Dadam	Industrial
8	Pinjokhra	Industrial
9	P.House No.2&3	Essential
10	Sungarpur	Rural
11	Khanak	Industrial
12	Muzadpur	Rural
13	Nalwa	Industrial
14	Nigana Canal	Essential
15	Bussan	Rural
16	Hassan	Rural
17	Dinod	Rural
S/Divn. Bawani Khera		
18	Dhanana	Rural
19	Pur	Rural
20	Bawani Khera	Urban
S/U S/Divn No.1 Bhiwani		
21	Elegant	Industrial
22	Hospital	Essential
23	Krishna Colony	Urban
24	BTM	Industrial
25	TIT	Industrial
26	W/Works	Essential
27	City	Urban
28	Workshop	Industrial
29	M.C.Colony	Urban
30	Industrial Area	Industrial
31	Vikas Nagar	Urban
32	Sec-13	Essential
33	Water works	Essential
34	Devsar	Rural
S/U S/Divn No.2 Bhiwani		
35	Haluwas	Mix.Urban
36	Anajmandi	Urban
37	Hindustan Gum	Industrial
38	Jui Canal	Essential
39	Prem Nagar	Urban
40	Bamla	Rural
41	Chang	Rural
42	Chang	Rural
43	Sai	Rural
44	Mithathal	Rural
45	Badesara	Rural
OP City S/Divn.		
46	Patram Gate	Urban
47	Shiv Nagar	Urban
48	Dinod Gate	Urban
49	Hanuman Gate	Urban
50	P/Gate	Urban

OP DIVN. CH.DADRI		
Sr. No.	Name of 11kv feeder	Feeder's Nature
S/U S/Divn Dadri		
1	Balkara	Rural
2	RD-62	Essential
3	Chirya	Rural
4	Gothra	Rural
5	Saroopgarh	Rural
6	Loharwara	Rural
7	Sampur	Rural
8	Harodi	Rural
City S/Divn Dadri		
9	Mahendergarh Road	Urban
10	Rawaldhi	Mix.Urban
11	Waterworks	Essential
12	Dadri City	Urban
13	Dadri Urban	Urban
14	Kitlana	Rural
15	CCI	Urban
16	Chirya Road	Urban
17	RD-0	Essential
18	RD-0	Essential
19	Ghikara Road	Mix.Urban
S/Divn Sanjarwas		
20	Phogat	Rural
21	Imlota	Rural
22	Aun	Rural
23	Sanga	Rural
24	RD-34	Essential
S/Divn Jhojhu Kalan		
25	Jhojhu	Rural
26	Pichopa	Rural
27	Ashawari	Rural
28	Adampur	Rural
29	Jawa	Rural
30	Rambas	Rural
31	Badal	Rural
32	Kalyana	Rural
33	Rudrol A	Rural
34	Rudrol B	Rural
35	Dagroli A	Rural
36	Dagroli B	Rural
37	Kanhra	Rural
38	PH No. 1&2	Essential
39	PH No. 5&6	Essential
40	PH No. 3&4	Essential
41	Gopalwas	Rural
42	Badrai	Rural
43	Kadma	Rural
44	Suhri	Rural
45	PH No. 1&2	Essential
46	Dagroli	Rural
S/Divn Atela Kalan		
47	Mehra	Rural
48	Tiwala	Rural
49	Sarangpur	Rural
50	Bilawal	Rural
51	Hadodi	Rural
52	Rampura	Rural
53	Dudiwala	Rural
54	PH No. 2	Essential
55	PH No. 4	Essential
56	PH No. 5	Essential
57	PH No. 3	Essential

S/Divn Badhra		
58	Bhandwa	Rural
59	Nandha	Rural
60	Hansawas	Rural
61	Kakroli	Rural
62	Hadodi	Rural
63	Mandhi	Rural
64	Mandhi	Rural
65	PH No. 6	Essential
66	PH No. 7&8	Essential
67	Chandwas	Rural
68	Dagroli	Rural
69	Nandha	Rural
70	Dhansari	Rural
71	Hooi	Rural
72	Pichopa	Rural
73	Bhandwa	Rural
74	Lad	Rural
75	Smasawas	Rural
76	Barwas	Rural
OP SU DIVN BHIWANI		
Sr. No.	Name of 11kv feeder	Feeder's Nature
S/Divn. Siwani		
1	Miran	Rural
2	Kalod	Rural
3	Siwani	Mix. Urban
4	Jhumpa	Rural
5	Rupana	Essential
6	Devsar	Rural
7	Jai Bhart	Industrial
8	PH No. 4to8	Essential
9	Gopalwas	Rural
10	Isharwal	Rural
11	Mithi	Rural
12	Bidhawan	Rural
S/Divn Loharu		
13	Fartia	Rural
14	Bishalwas	Rural
15	Gausala	Rural
16	Loharu	Urban
17	Gignou	Rural
18	Gothra	Rural
19	Sohansara	Rural
20	Pathrwa	Rural
21	Jhhumpa Kalan	Rural
22	Smasawas	Rural
23	Ahamdwas	Rural
24	Barwas	Rural
S/Divn Dhigawa		
25	Bithan	Rural
26	Kari	Rural
27	Bardu	Rural
28	Sirsali	Rural
29	Kharkari	Rural
30	D/Mandi	Rural
31	Singhani	Rural
32	Budhera	Rural
33	Jui Canal	Essential
34	D/Laxman	Rural
35	D/Rathi	Rural
36	Khorda	Rural
37	Nangal	Rural
38	Pahari	Rural
39	Chahar Kalan	Rural
40	Bussan	Rural
41	P/Health 4 to 8	Essential

42	Damkora	Rural
43	Sehar	Rural
44	Chahar Khurd	Rural
45	Dhana Jogi	Rural
	S/Divn Behal	
46	Paju	Rural
47	BRCM	Independent
48	Behal	Rural
49	Sirsi	Rural
50	Sorda	Rural
51	D/Khera	Rural
52	Patwan	Rural
53	Sudhws	Rural
54	Noonsar	Rural
55	Surpura	Rural
56	Gokalpura	Rural
57	Bidhnoi	Rural
58	Serla	Rural
59	Noonsar	Rural
	S/Divn Jui	
60	Kuralbas	Rural
61	Ladawas	Rural
62	Kairu	Rural
63	Jui Canal	Essential
64	Nangla	Rural
65	Jeetpura	Rural
66	Dawarka	Rural
67	Umarwas	Rural
68	Jui City	Rural
69	Hetampura	Rural
70	PH No. 2	Essential
71	Lalhana	Rural
72	Dawarka	Rural
73	Dandma	Rural
74	Devrala	Rural
75	Indiwali	Rural
76	Obra	Rural
77	JNV	Industrial

IMPORTANT TELEPHONE NO. OF DISTRICT ADMINISTRATION BHIWANI				
Name of officer	Post	(O) Phone	(R) Phone	Cell. No.
Mohinder Kumar I.A.S	DC	243535	243333	9416008299
Sanjay Kumar I.P.S	S.P	243700	243777	9416475434
W.S.Goyat I.A.S	ADC	242893	245061	9416212770
Vikas Gupta I.A.S	SECY.BOSE	243336	243394	9416002876
Y.C Bhardwaj HCS	SDM	242101	242102	9416265889
Pankaj Chaudhary HCS	CTM	242121	257979	9413199007
Jagbir Singh	GM ROADWAYS	242134	256674	9416193145
Ram Rattan	DSP(HQ)	242544	242755	9813500434
Ram Avtar Gupta	DRO	242172	256846	9416128688
H.K.Sharwa	DDPO	242771	243077	9416235502
Rajender PSD	TEHSILDAR BWN	242137		9416267548
Ami Chand	TEHSILDAR TSM	258352		9416164869
Radhey Shyam	TEHSILDAR B.KHERA	233035		
Chander Bhan	NT BWN	242137		9466559076
Lala Ram	N.T. TSM	258352		9416340798
Laxmi Narain	N.T.B.KHERA	233035		9416056770
Chandu Lal	TEHSILDAR ELECTION	246033		9416029549
Devender Gaud	DETC(ST)	242233	242033	9812112643
Amar Singh	DETC(EX)	244890		921610259
Jeet Singh	GM DIC	242425	242062	9896396815
B.R Vats	DEO	242410	245525	9416793136
M.C.Yadav	DPEO	244160		9416067574
Sultan Singh	DFSC	242125		9896570021
Vijay Kumar	DM CONFED	242016	245318	9416836739
A.K.Goel	DRUG INSPECTOR			9812156758
Chatter Singh	GM COOP.STORE	244836		9416525455
Virender Mehta	ADDL.			
Suman Sarot	SE B&R	242819	242119	9416373139
Mahender Pal HCS	LAO B&R			9416052557
A.K.Goel	XEN B&R	242436	242580	9416312986
Gopal Ram	XEN ELECT B&R			9812535796
Shadev Khera	XEN B&R	217156		9810692091
R.K.Singhal	S.E. PH.	242021	242020	9416997449
R.P.Garg	XEN NO. 1 PH	242004	217022	9416690022
Ranjit Choudhary	XEN NO. 2 PH	242002	242001	9215642001
S.S.Verma	XEN PH TSM	583774	247327	9416047327
Hawa Singh HCS	LAO IRRIG			9416033127
A.C.Sangi	SE YWS	242140	251318	9416288838

P.C.Mittal	SE LWS	242586	242639	9812258592
K.C.Sharma	XEN W.S.DIVN	242882	242139	
Dharam Pal Godara	XEN BWS IRRIGATION	242141	242766	9896090439
B.S.Saini	XEN SWS DIVN	242118	242715	9416134289
Ashok Dutta	XEN LIFT MECH.	242515	2426553	9315374566
R.N.Arighwal	XEN BOUND W.S.DIVN	242557	256793	9416290973
A.K.Vaid	XEN MECH			9812598606
Sh. Pahuja	XEN MECH			9812577666
S.K.Goel	XEN LWS DIVN	242866		9416622368
Suresh HUDA	SHO CITY	242711		9416359335
Vijay Singh	SHO CIVIL LINE	242665		9812127241
Vijay Pal	SHO SADAR	242722		9416131340
Azaib Singh	SHO B.KHERA	233033		
Kuldeep Singh	SHO TOSHAM	258233		

Important Telephone Numbers of District Administration Ch.Dadri Sub-Division (STD Code 01250)			
Name & Designation	Office	Residence	Mobile No.
Sh. S.S.Lohchaio SDO (Civil) Ch.Dadri	20053	220147	9416273815
Sh. Norang Dutt Bhatai Tohsildar Ch.Dadri	220173	220173	9416178801
Sh. Kamal Singh Nb. Tehsildar Bound Kalan			9416066832
Smt. Meet Dhankhar Nb. Tehsildar Ch.Dadri	220173		
BDPO, Dadri-1	220071		
Sh. Narender Malhotra BDPO-II Dadri	220074		9354514501
Secy. MC, Dadri	220056		
Secy. Market Committee, Dadri	220045		9812447715
Employment Officer ETO, Ch.Dadri	220171 220244		
Dr. H.L.Beniwal SMO Ch.Dadri	220019	220015	9812360881
Police Department Sh. Sunil Dalal DSP Ch.Dadri	220861	220862	9416607107
SHO, City Police Station Ch.Dadri	220863		
Sh. Ram Kumar Rathee SHO Sadar Police Stn., Ch.Dadri	220860		
Sh. Indiver Sharma SHO, Bound Kalan	242533		
SHO Badhra (01252)	253033		
Fire Brigade, Dadri	101		
Irrigation Deprarment			
Xen LWS Divn	220131	220492	9812598606
Xen LWS (Mech.Divn) Dadri	220058	220482	
Xen M.Garh Canal Divn. Dadri	220264		
Sh.R.K.Shehrawat Xen.B&R Divn.Dadri	220073	220174	9416054839
Sh.B.P.Tihal Xen.Public Health Dadri	220150		9416151481
Post Office(Main) Mandi Dadri	220077		
Post Office City Dadri	220044		
SBOP, Ch.Dadri	220051 220751		

PNB Ch.Dadri	220155		
--------------	--------	--	--

15

Oriental Bank of Conference,Dadri	220216		
UC	220788		
SDO,Telephone(Urban)	221020		
SDO,Rural Dadri	223456		
Maj. Narpender Singh MLA Dadri	224750		
Ch.Dharambir Singh MLA,Badhra	220027		

Contact Numbers of Officers/Department of Siwani				
Sr. No.	Description	Contact No. Office	Residence	Mobile
1	SDM Siwani	01255-277222	01255-277244	9812034345
2	DSP Siwani	01255-277333	01255-277444	9416511383
3	Tehsildar	01255-277222		
4	SDO/AGM,DHBVN	01255-277322		9812452749
5	B.D.P.O PWD B&R	01255-277390		
6	BEO Siwani			9416243063
7	SDO PWD B&R			9416302778
8	SDO Public Health	01255-277157		
9	SDO Agriculture			9416499156
10	SDO Panchayati Raj			9812599848
11	Secy. Mkt.Committee	01255-277230		
12	ATO Siwani	01255-277202		
13	SHO Siwani	01255-277233		
14	Hort. Department			
15	Asstt. Employment officer			9416499156
16	PLDB Bank	01255-277314		9416839003
17	SMO	01255-277245		
18	Mgr. Co. Op. Bank	01255-277274		
19	Industry Dev Officer			9255463181
20	S.M.R.J. Collage	01255-277305		
21	Principal G.S.S.S			9215240089
22	Principal G.G.S.S.S			9813327071
23	Principal SKPPS	01255-277624		
24	Principal VHS	01255-277723		
25	Mgr. SBI	01255-277270		
26	Post Office Siwani	01255-277280		

Contact Numbers of Officers/Department of Loharu				
Sr. No.	Description	Contact No. Office	Residence	Mobile
1	SDM Loharu	01252-277222		9872217221
2	Tehsildar Loharu			9416379591
3	BDPO Loharu	01252-258238		9416231949
4	S.C.P.O Loharu			9416284590
5	Complaint Centre Loharu	01252-258797		
6	APRO			
7	SDEO PWD B&R			
8	Xen PWD B&R Loharu			9416054839
9	Railway Station EA Loharu	01252-258214		9896011627
10	SDEO Public Health	01252-258133		9255149401
11	SDO Irrigation	01252-258233		
12	SDO Agriculture	01252-258320		
13	BEO Loharu			9416279063

14	Municipal Committee			9416360248
15	Market Committee	01252-258216		
16	Treasure	01252-258646		
17	Telephone Exchange	01252-258000		
18	Post Office Loharu	01252-258262		
19	PNB Bank Loharu	01252-258226		
20	HKGB	01252-258248		
21	RARDB	01252-258243		
22	CDPO	01252-258468		
23	Principal Govt. Collage	01252-258208		
24	Principal Polytechnic	01252-258746		
25	Civil Hospital	01252-258211		
26	Central Co. Op.Bank	01252-258232		
27	DSP	01252-258960	258244	
28	SHO Loharu	01252-258203		
29	Secy. Marketing Committee Behal	951255265236		
30	A.F.S.O. Loharu			9416247195

Contact Numbers of Officers/Department of Behal

Sr. No.	Description	Contact No. Office	Residence	Mobile
1	SHO Police Station Behal	01255-265233		
2	SDO Public Health			9416573620
3	BDPO Behal			9896778386
4	Niab Tehsildar			9992020108
5	BEO			9416501069
6	Vetnary Surgeon			9255146825

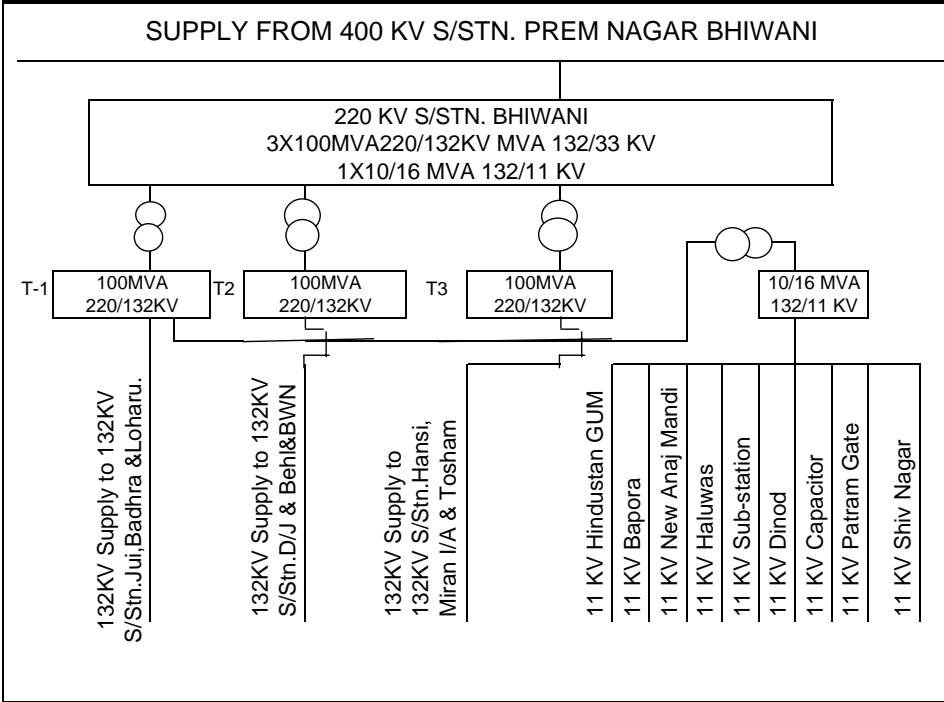
Contact Numbers of Officers/Department of Jui

Sr. No.	Description	Contact No. Office	Residence	Mobile
1	Xen Irrigation Department	242515		
2	SDO Irrigation Department			9812598535
3	Xen Public Health			9416690022
4	SDO Public Health S/Divn. No.3			9255149401
5	SDO Public Health S/Divn. No.1			9354120220
6	SDO P.H.Behal			9416573620
7	Principal Jawahar navodya Vidhyalya, Devrala	01253-281536		
8	Medical Officer PHC Kairu	01253-283308		

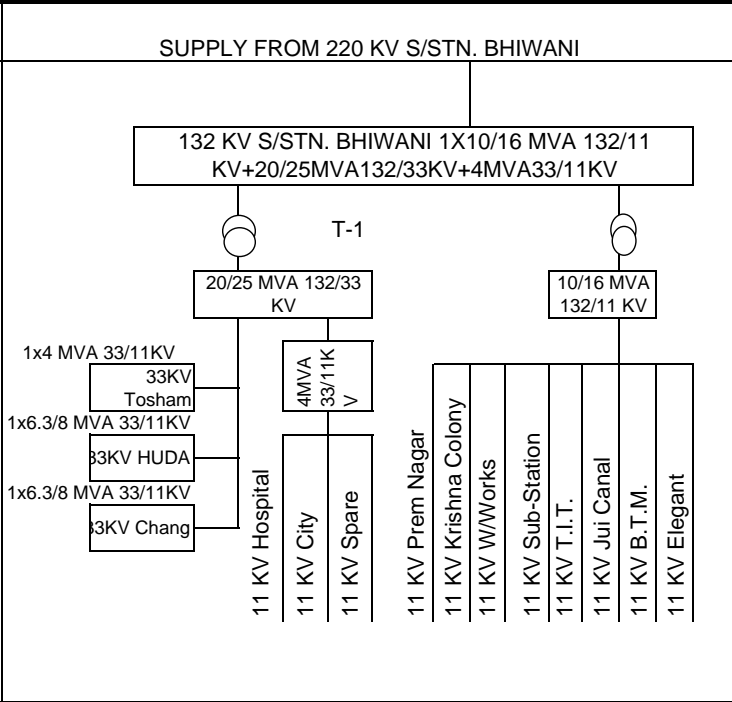
Contact Numbers of Officers/Department of Jui

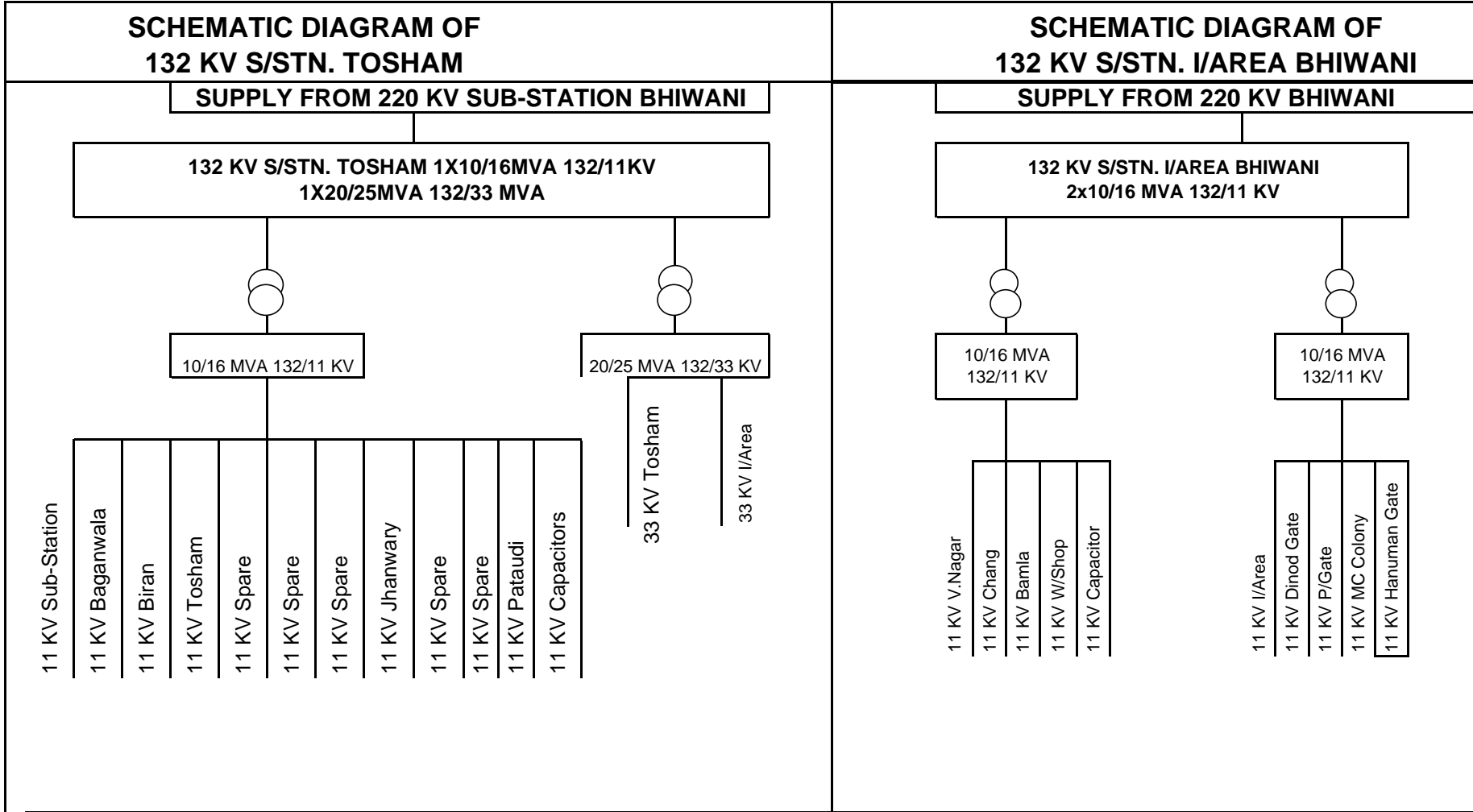
Sr. No.	Description	Contact No. Office	Residence	Mobile
1	SHO Loharu	01252-258203		
2	S.B.P.Bank D/Jattan			9416523250
3	Govt. Sr.Secondary School D/Jattan			9416863157

**SCHEMATIC DIAGRAM OF
220 KV SUB STATION BHIWANI**



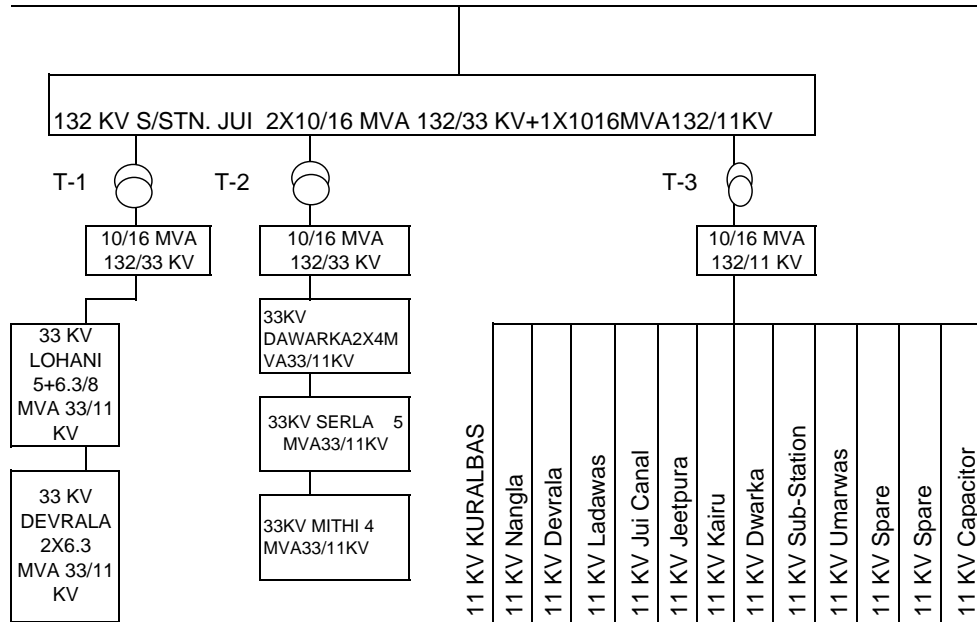
**SCHEMATIC DIAGRAM OF
132 KV SUB STATION BHIWANI**





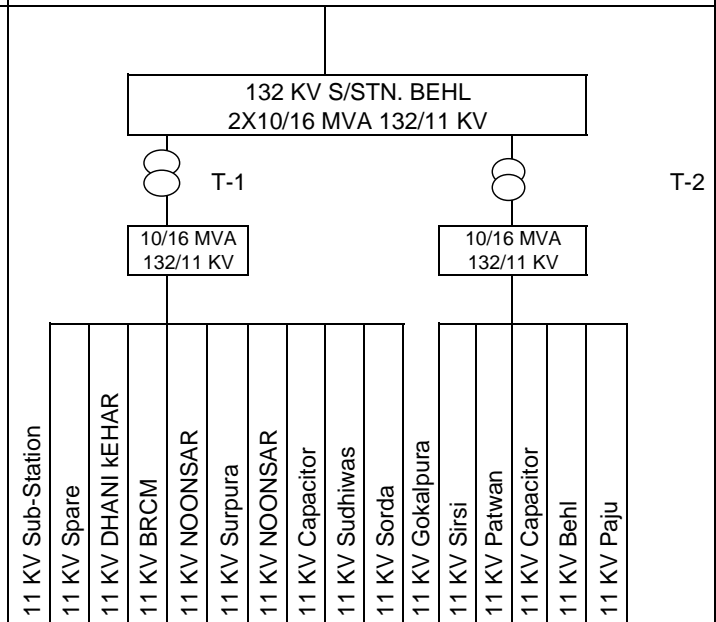
**SCHEMATIC DIAGRAM OF
132 KV SUB STATION JUI**

SUPPLY FROM 220 KV S/STN. BHIWANI



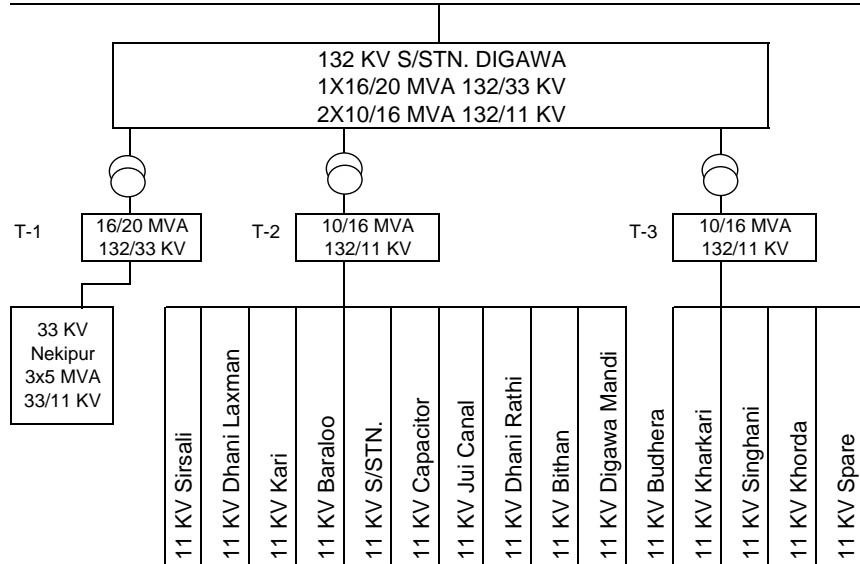
**SCHEMATIC DIAGRAM OF
132 KV SUB STATION BEHL**

SUPPLY FROM 220 KV S/STN. BHIWANI VIA 132KV
S/STN. JUI & DIGAWA



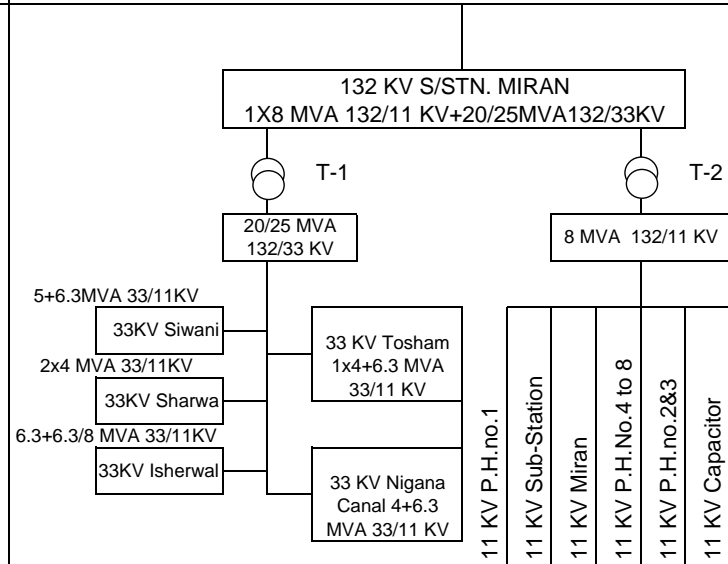
**SCHEMATIC DIAGRAM OF
132 KV SUB STATION DIGAWA**

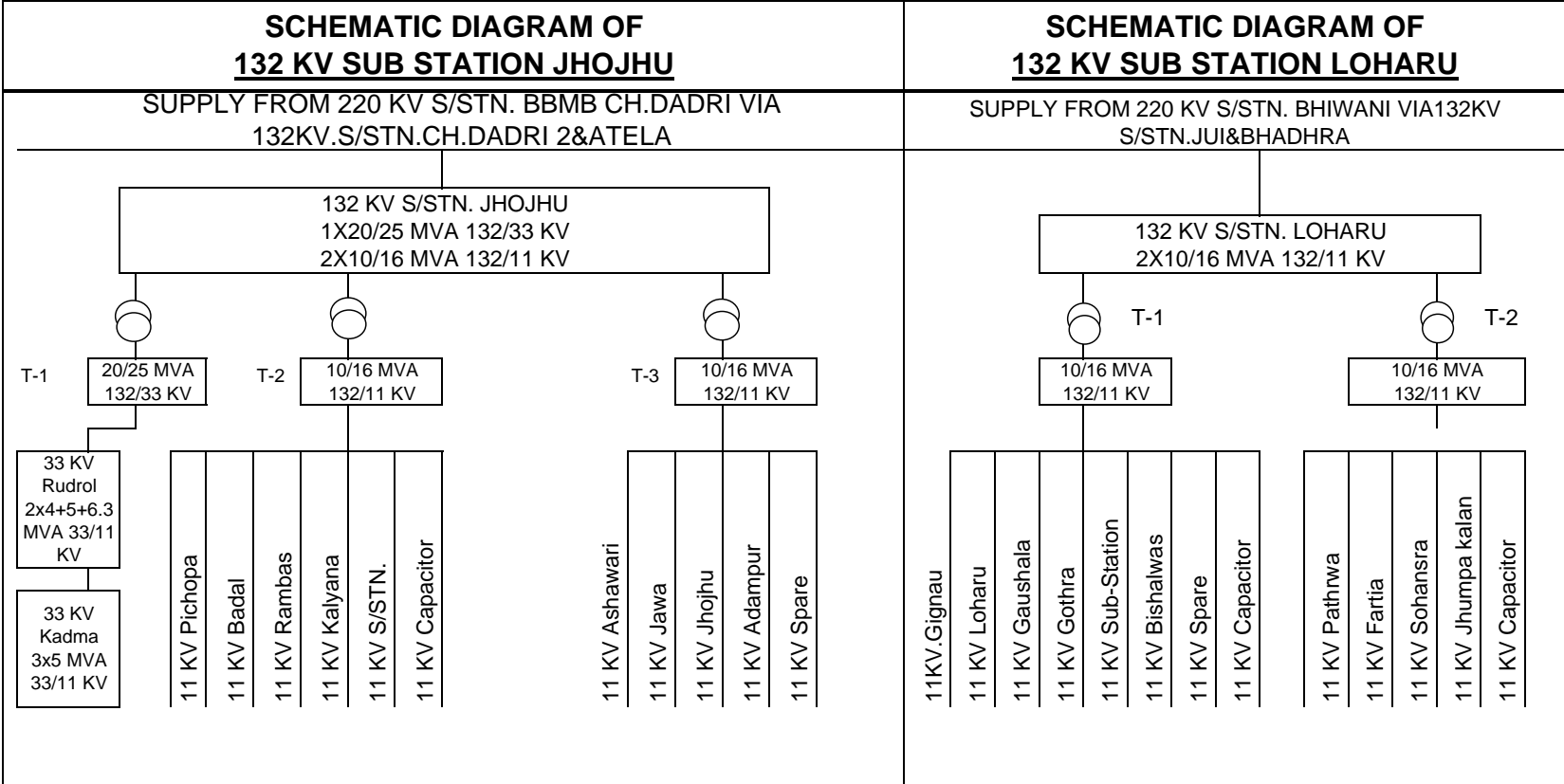
SUPPLY FROM 220 KV S/STN. BHIWANI VIA 132KV.S/STN.JUI



**SCHEMATIC DIAGRAM OF
132 KV SUB STATION MIRAN**

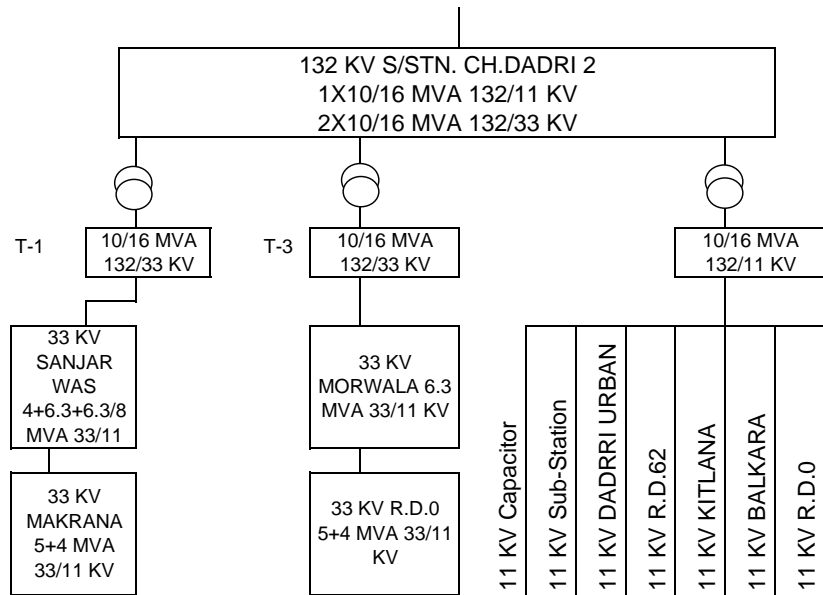
SUPPLY FROM 220 KV S/STN. BHIWANI VIA 132KV S/STN.HANSI & BHIWANI





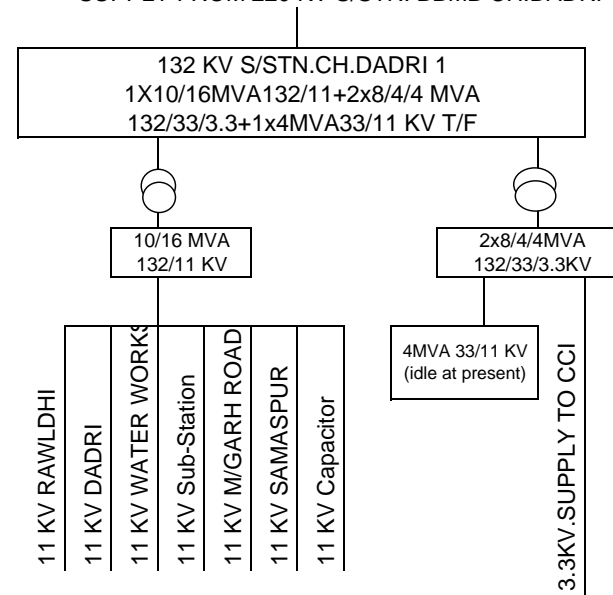
**SCHEMATIC DIAGRAM OF
132 KV SUB STATION CH. DADRI 2**

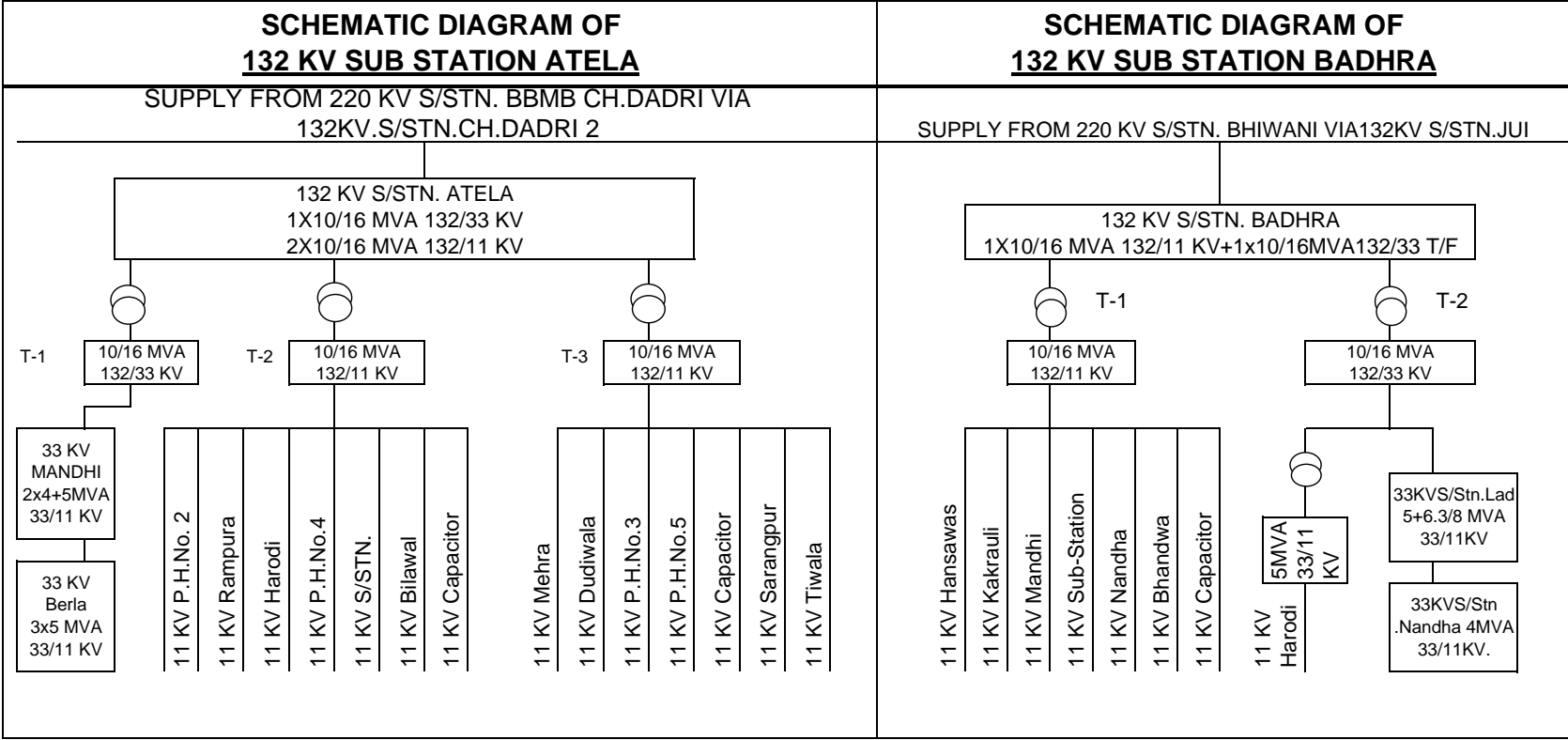
SUPPLY FROM 220 KV S/STN.BBMB CH.DADRI



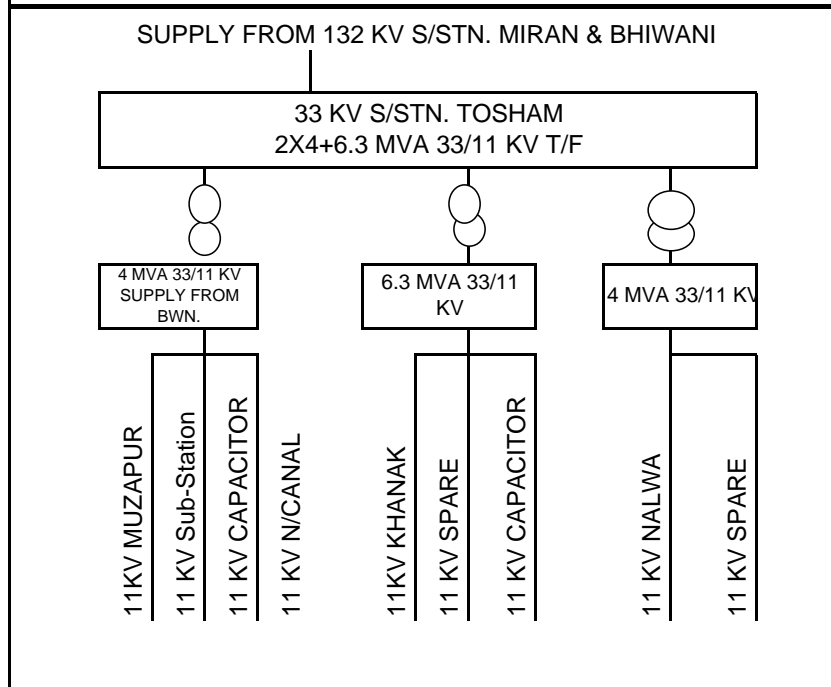
**SCHEMATIC DIAGRAM OF
132 KV SUB STATION CH. DADRI 1**

SUPPLY FROM 220 KV S/STN. BBMB CH.DADRI

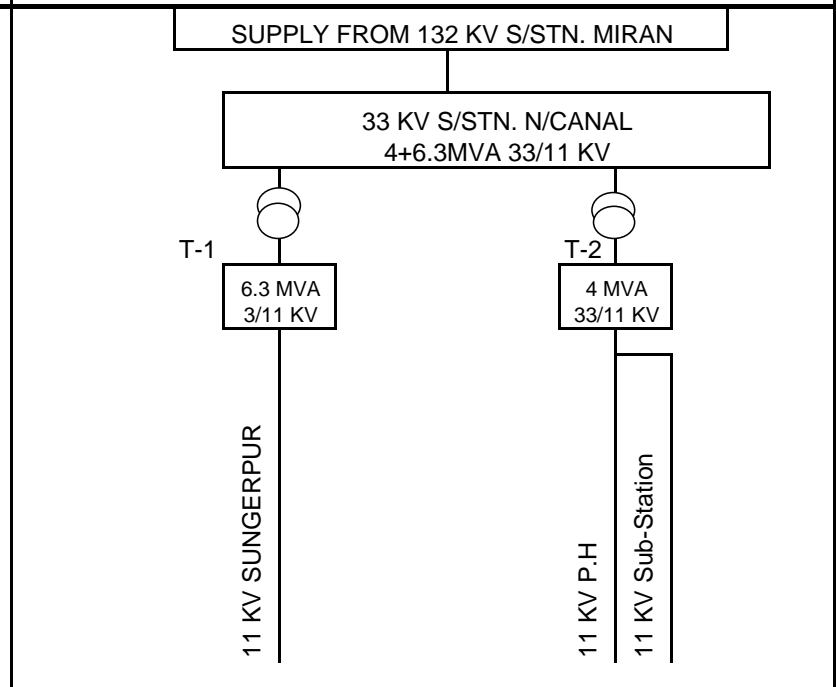


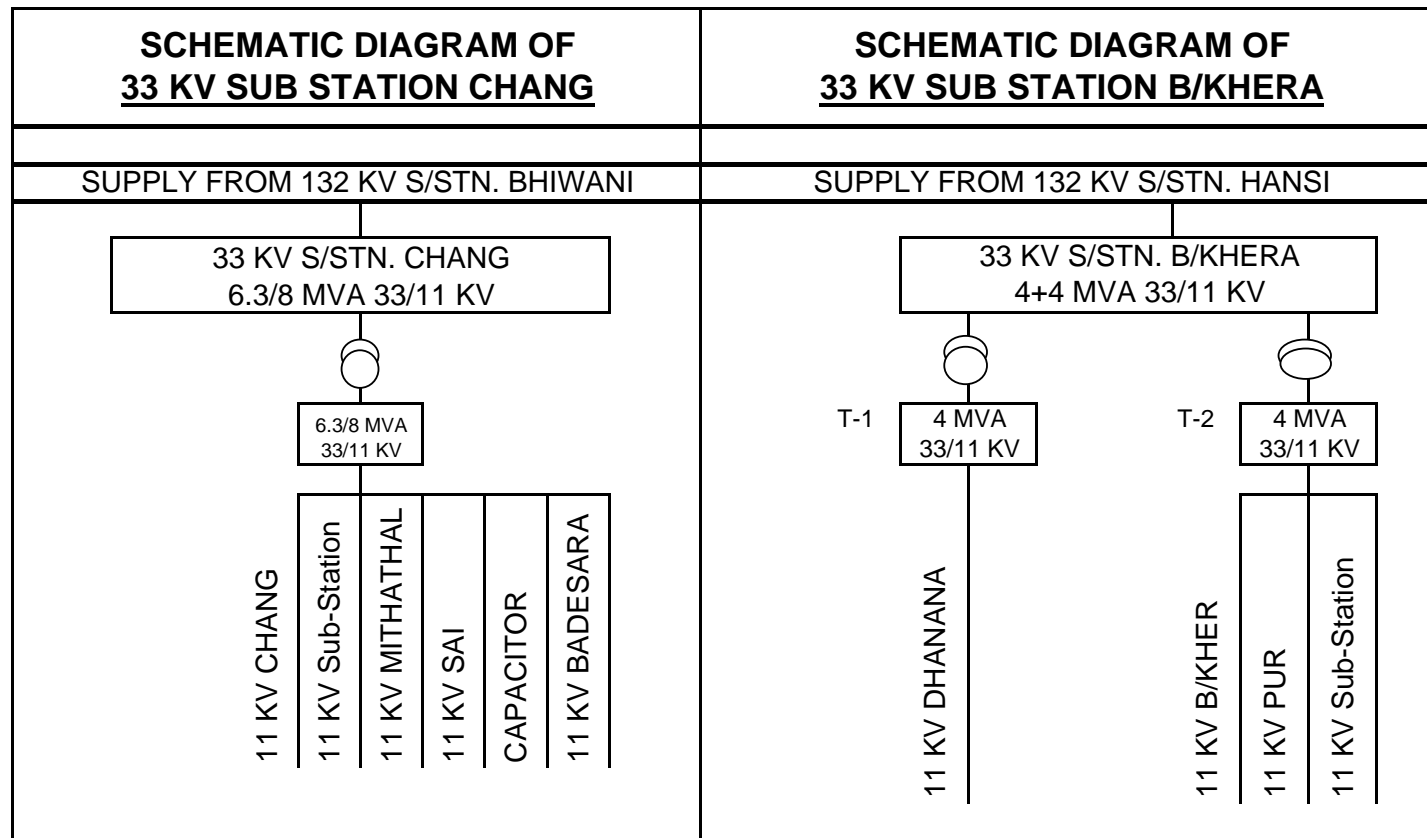


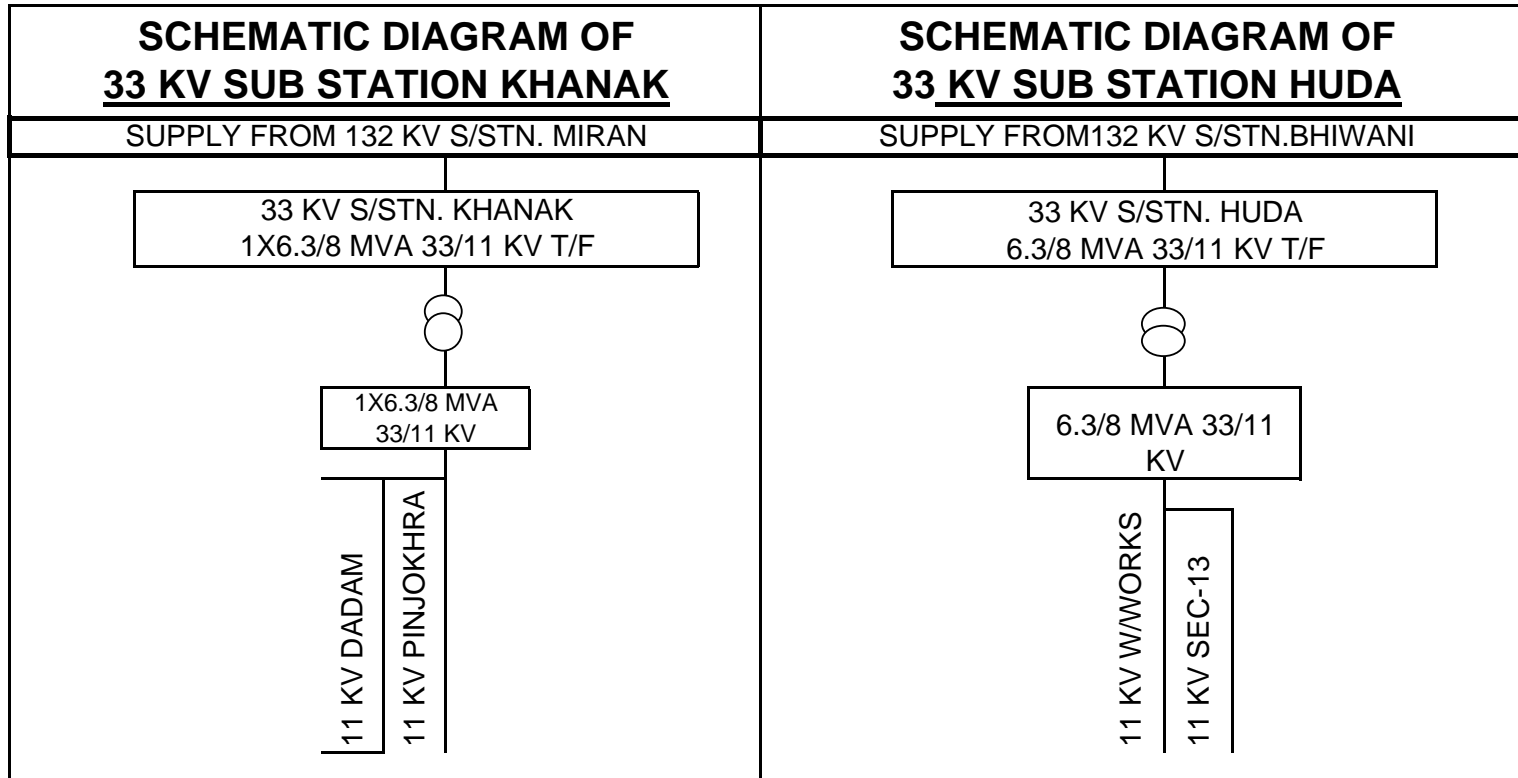
SCHEMATIC DIAGRAM OF 33 KV SUB STATION TOSHAM

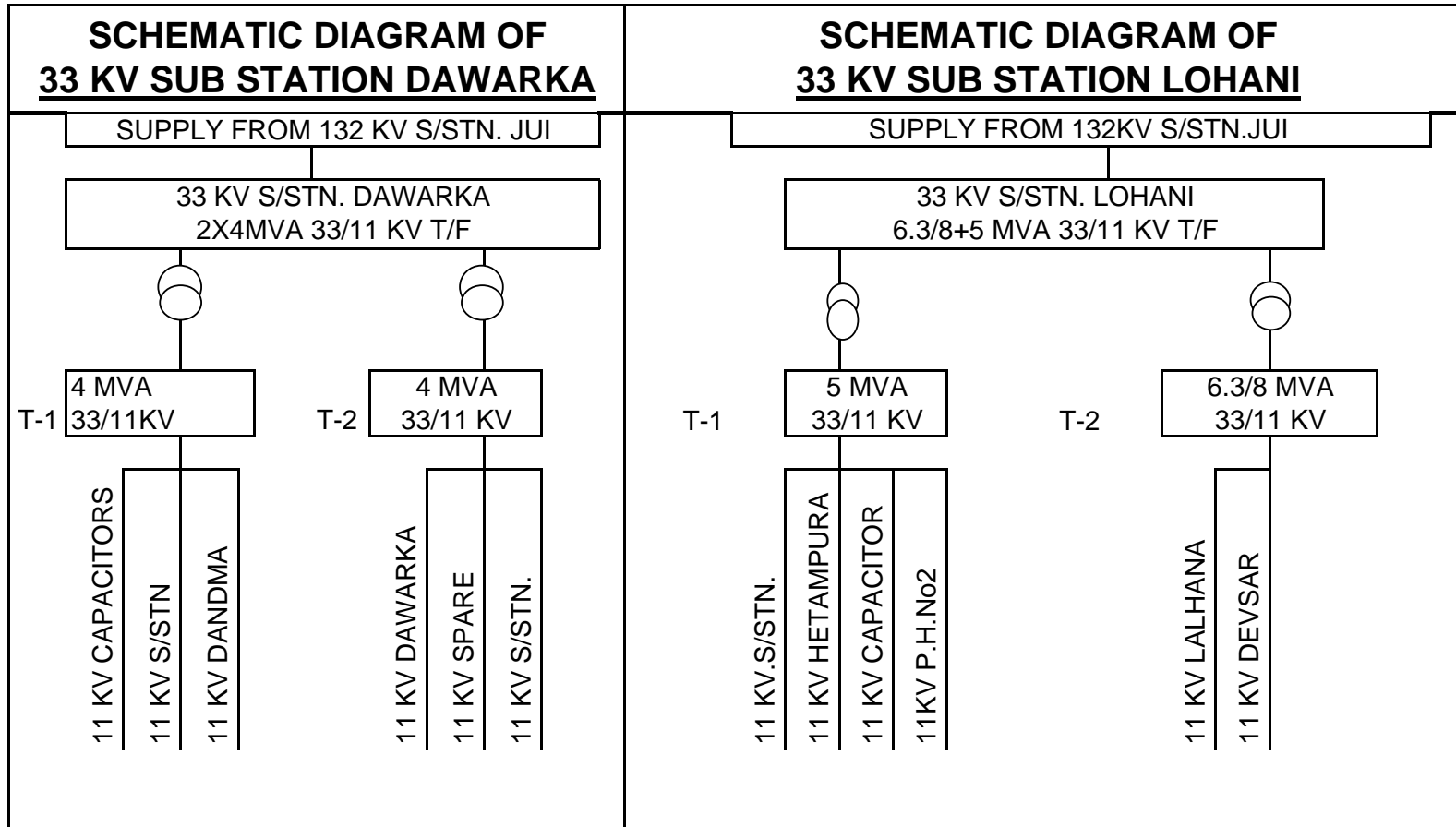


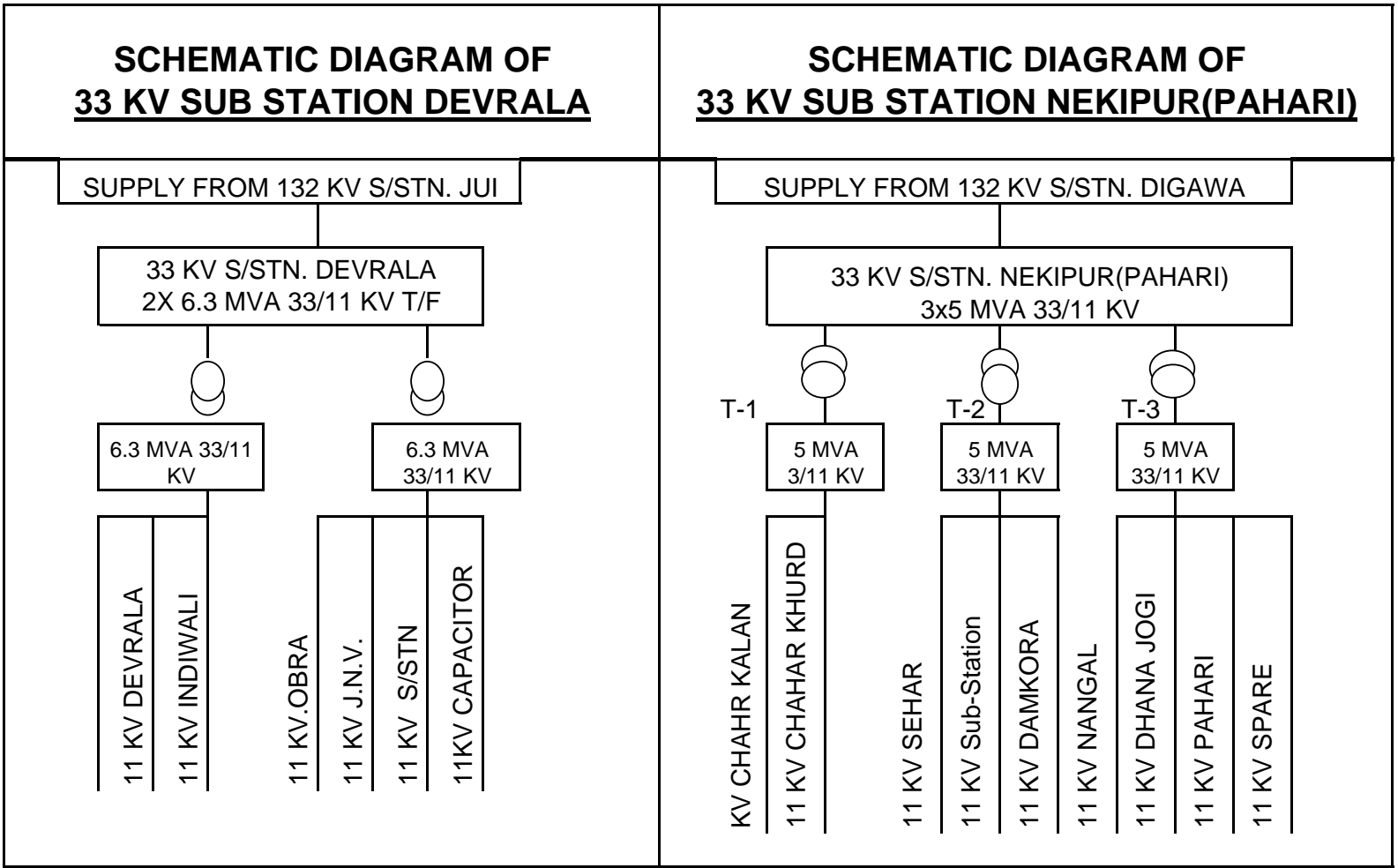
SCHEMATIC DIAGRAM OF 33 KV SUB STATION N/CANAL

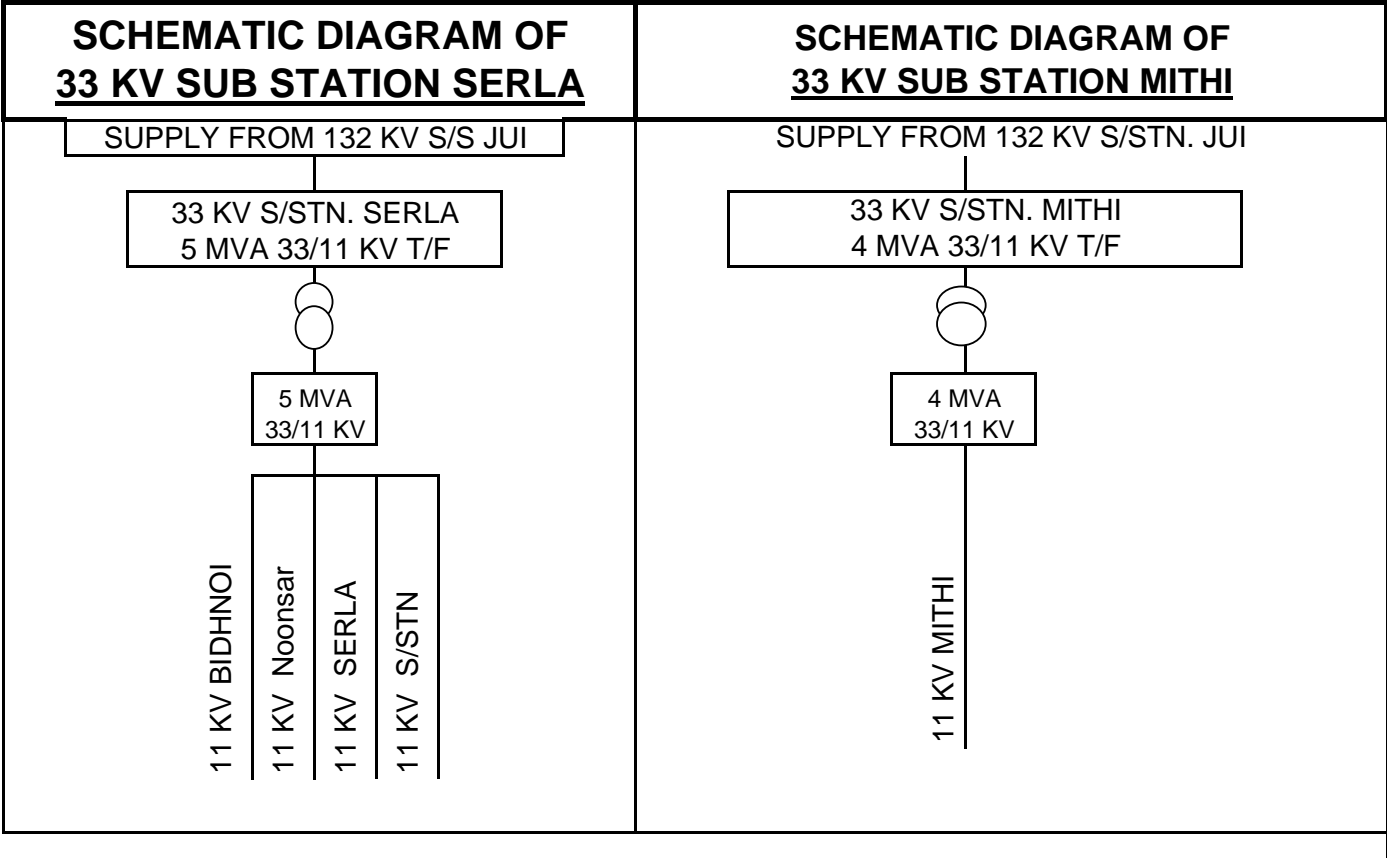


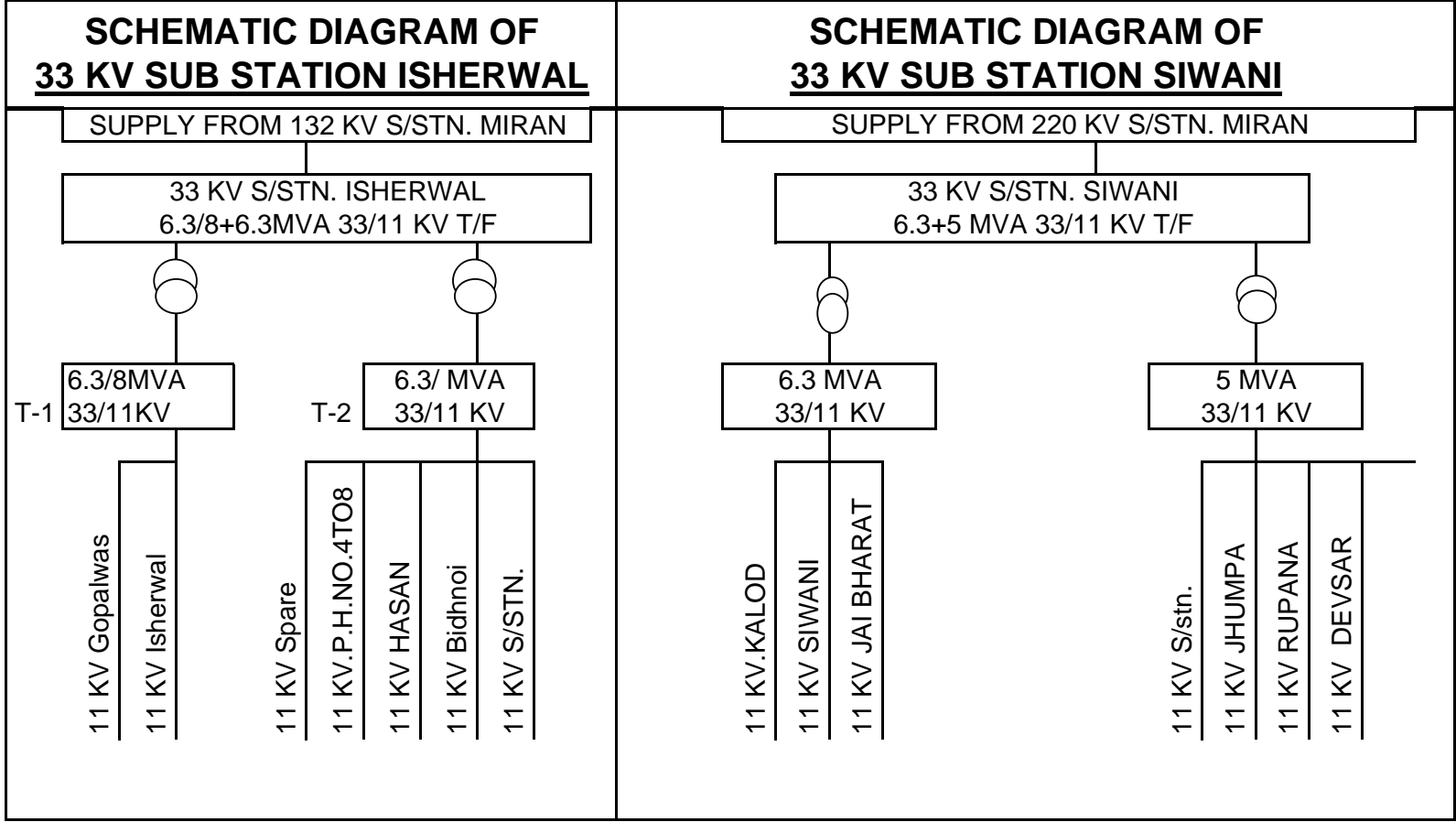


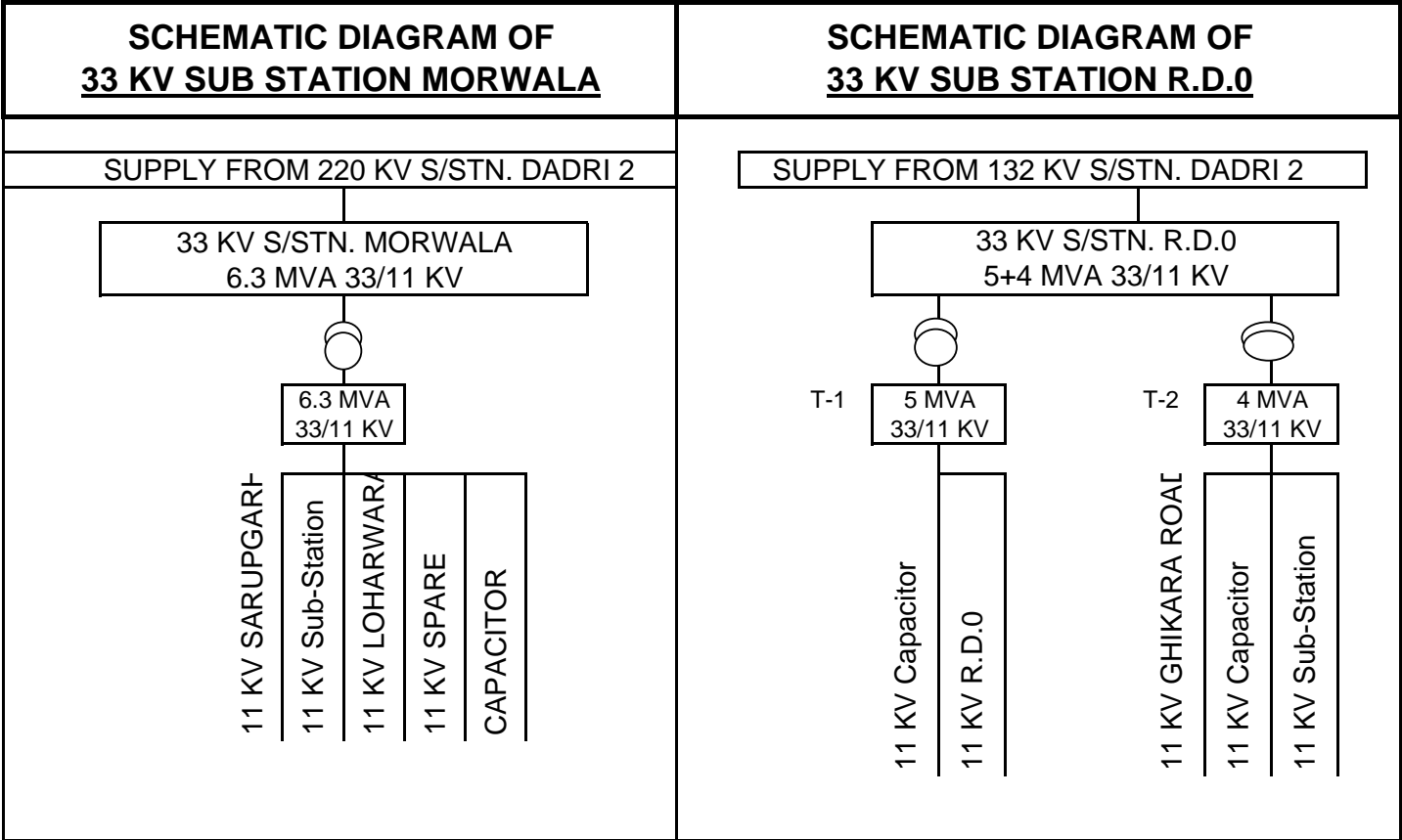




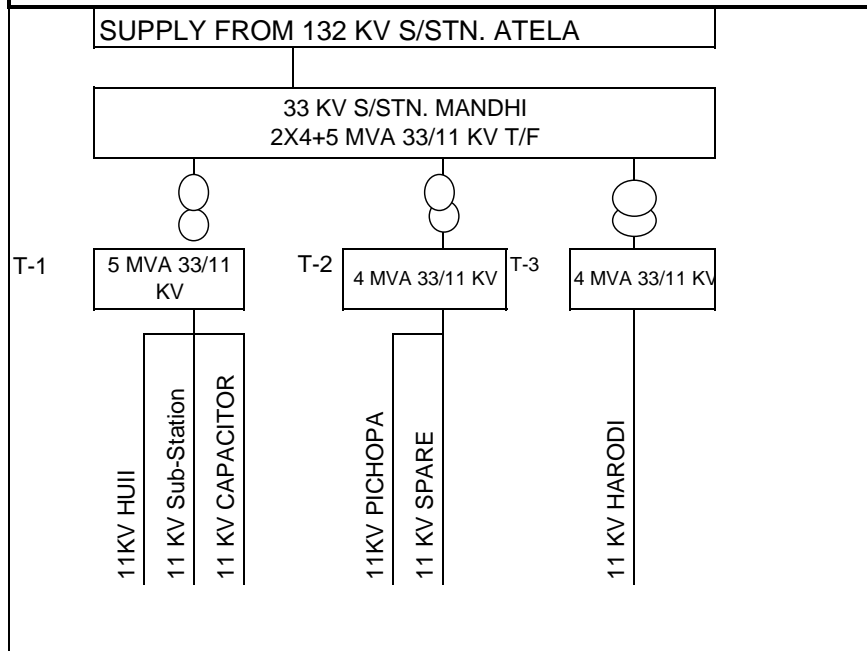




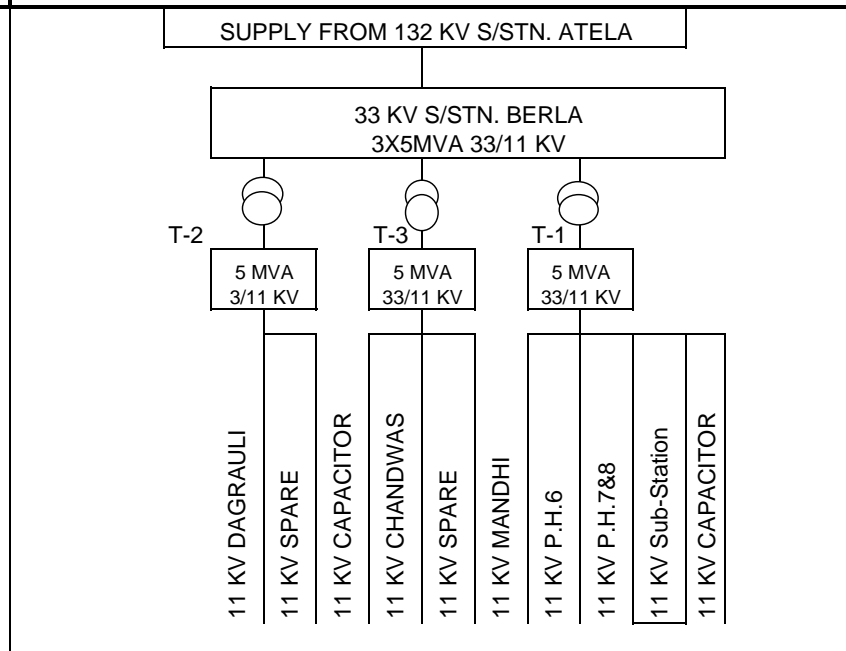


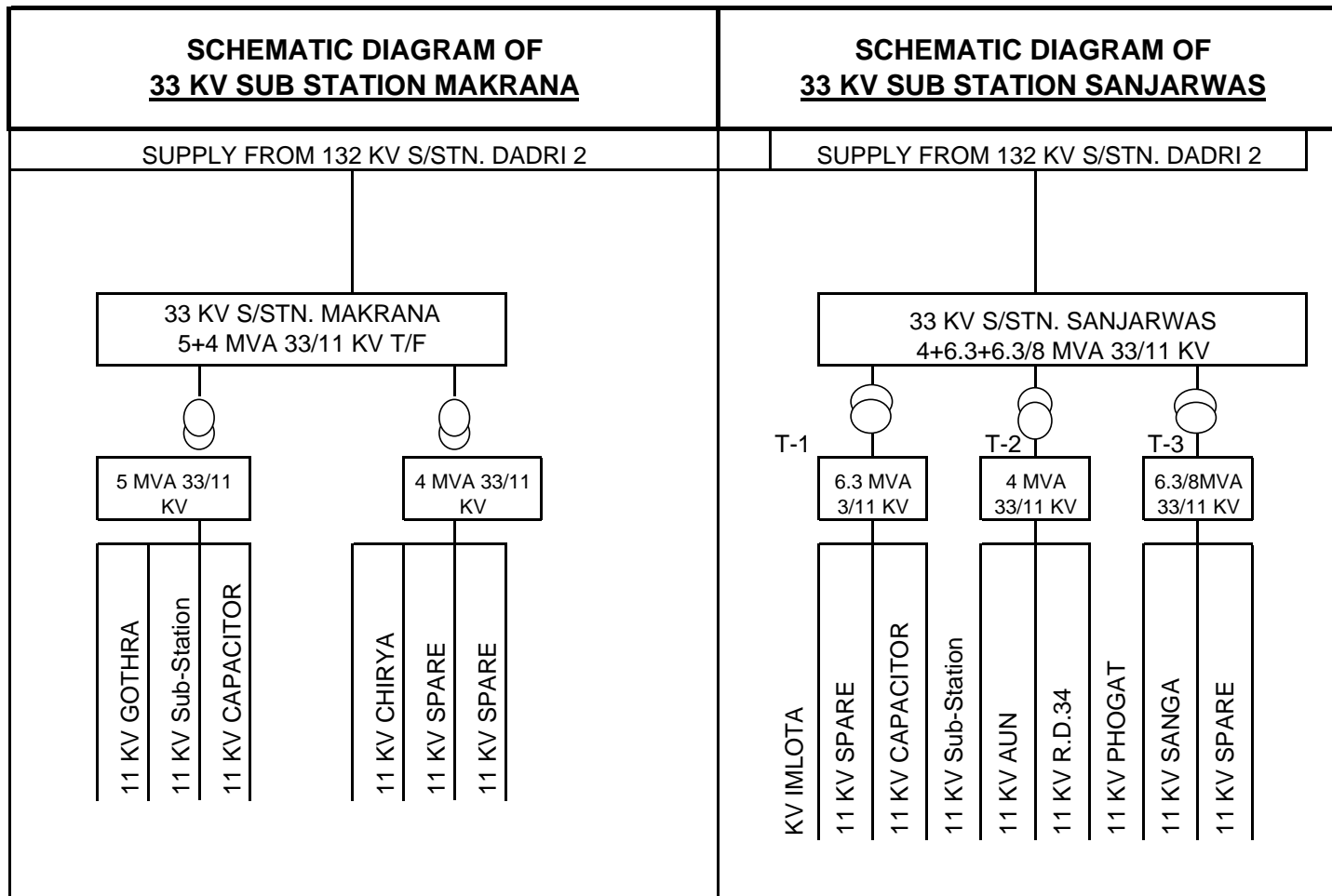


SCHEMATIC DIAGRAM OF 33 KV SUB STATION MANDHI

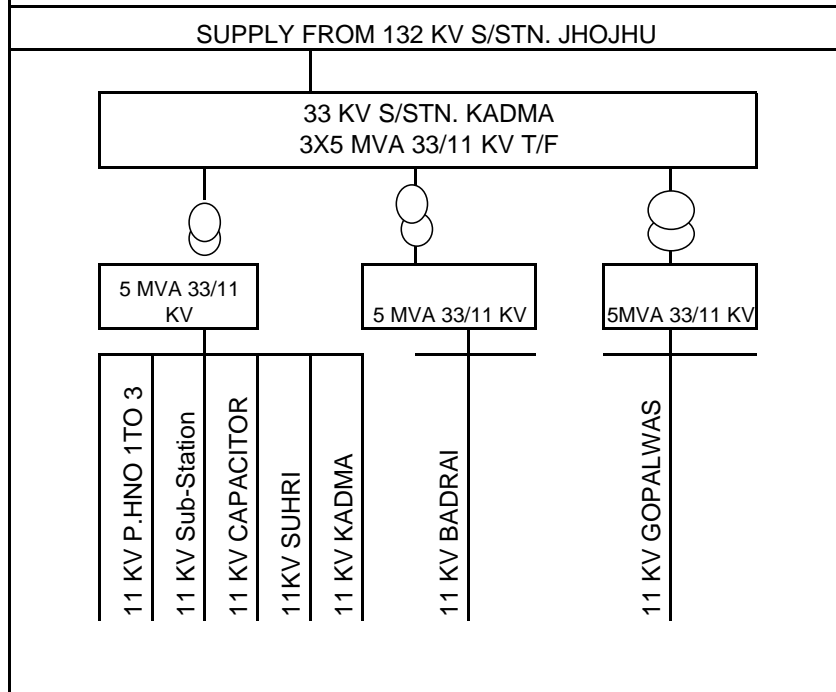


SCHEMATIC DIAGRAM OF 33 KV SUB STATION BERLA

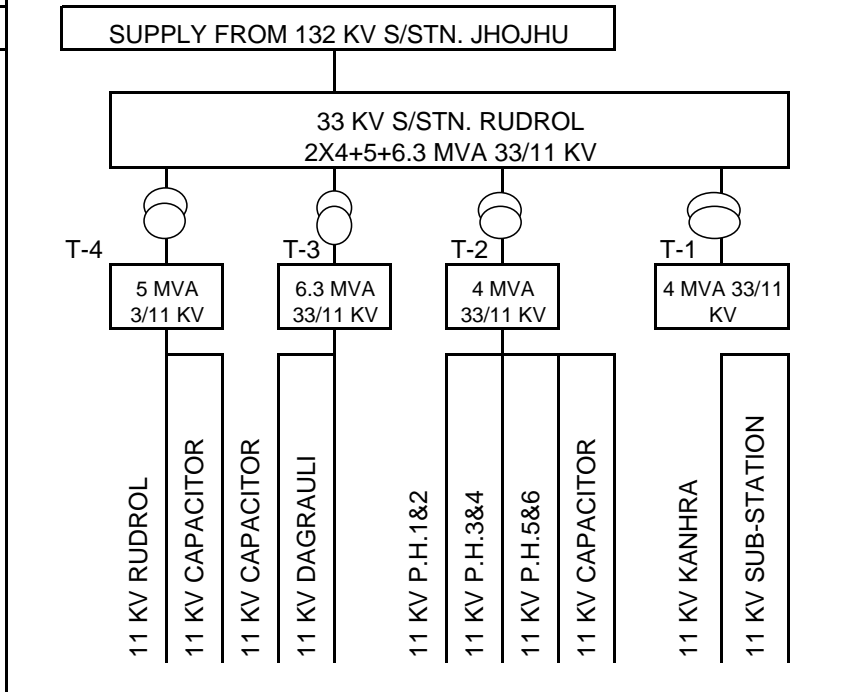


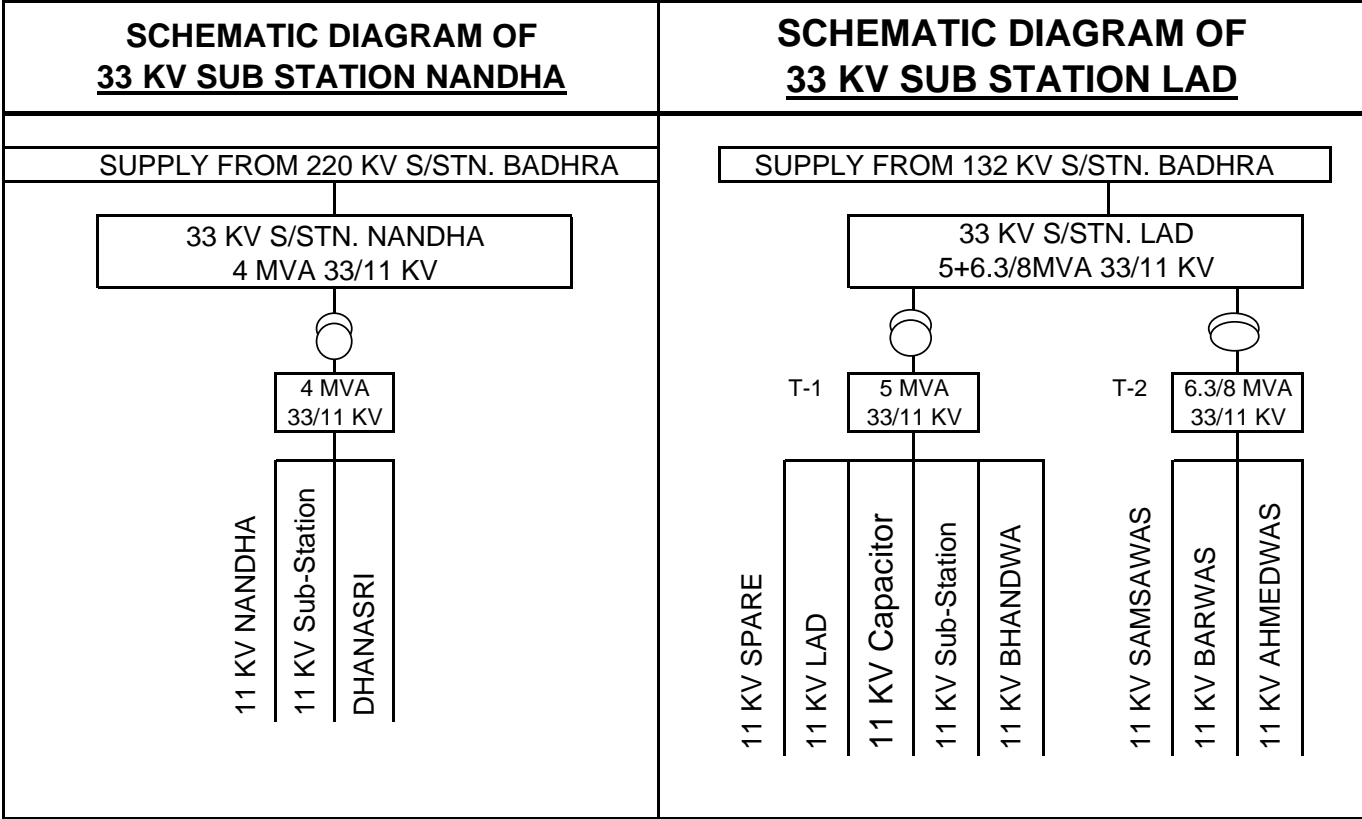


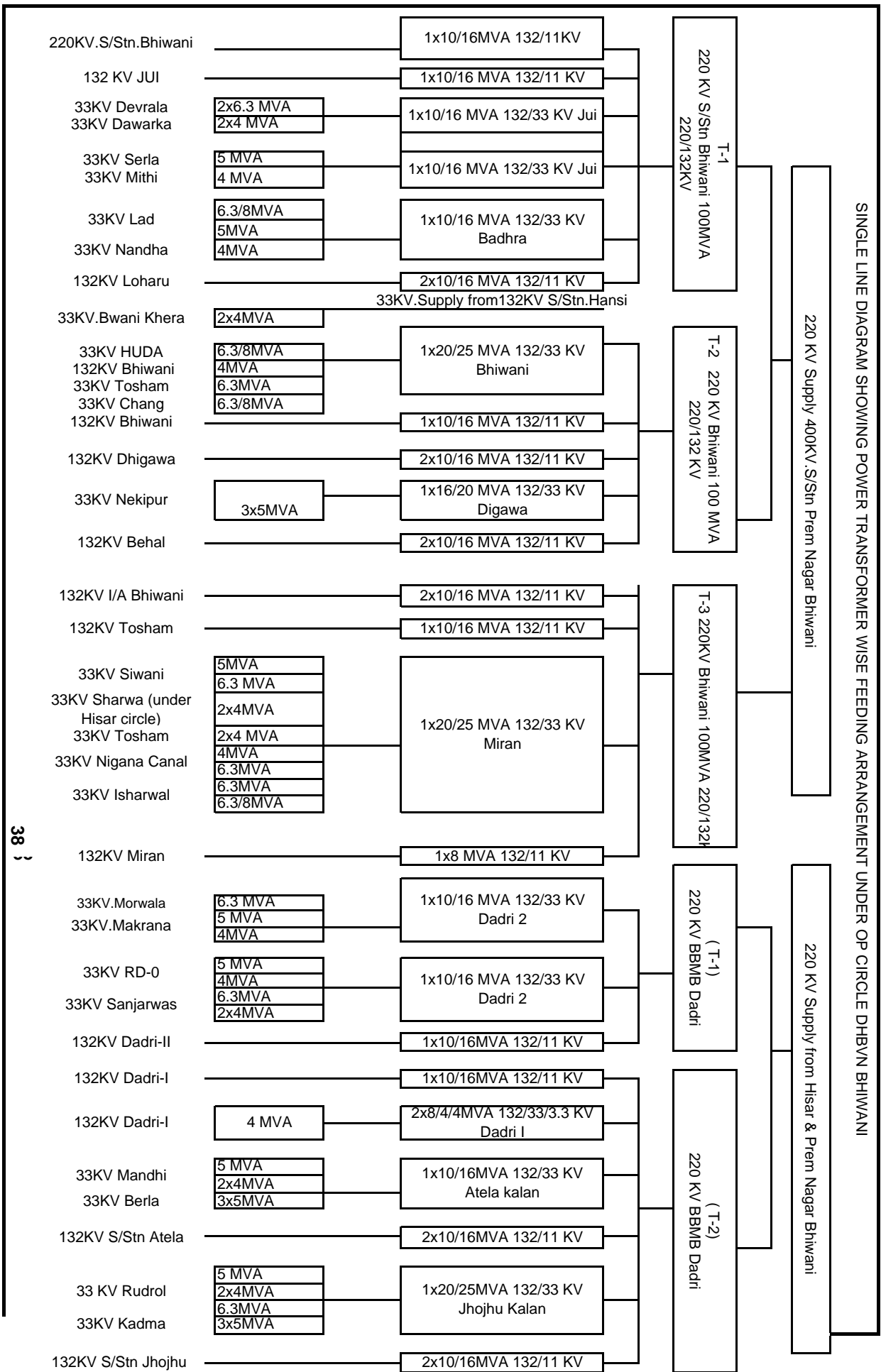
SCHEMATIC DIAGRAM OF 33 KV SUB STATION KADMA



SCHEMATIC DIAGRAM OF 33 KV SUB STATION RUDROL







38 }

LIST OF TELEPHONE NO. VARIOUS OFFICE'S OF DHBVN UNDER BHIWANI DISTT.				
Office	STD. CODE	Office No.	Residence No.	Mobile No.
CIRCLE BHIWANI				
GM (OP) Circle Bhiwani	01664	243491	243131	9812063021
DGM City Divn Bhiwani	01664	242801	242821	9812063022
DGM SU Divn Bhiwani	01664	242340	242802	9812452743
DGM 'OP' Divn Dadri.	1250	220142	220143	9812451203
DGM Works Bhiwani	01664	215285		9992015031
CITY OP DIVN BHIWANI				
AGM OP S/Divn	01664	242805	242804	9812063023
AGM S/D No. 1	01664	242803	242091	9812063024
AGM S/D No. 2	01664	242109	242808	9812063025
AGM S/D Tosham	01253	258284	258184	9812452764 (01253)
AGM S/D B.Khera	01254	233039		9812452760 (01254)
S/U DIVN BHIWANI				
AGM S/D Jui	01664	262532	284545	9812452756
AGM S/D Dhighawa	01252	257748		9812452759 (01252)
AGM S/D Loharu	01252	258246		9812452744 (01252)
AGM S/D Behal	01252	265357		9812452752 (01255)
AGM S/D Siwani	01255	277322		9812452749 (01255)
OP DIVN CH-DADRI				
AGM City S/D	01250	220098	220144	9812452728 (01250)
AGM S/U S/D	01250	220493	220557	9812452732
AGM S/D Sanjarwas	01250	247435		9812452736
AGM S/D Jhojhu Kalan	01250	263044	263033	9812452729
AGM S/D Badhra	01252	253386		9812452739 (01252)
AGM S/D Atela Kalan	01252	288258		9812452762

9) Telephone No. of various S.Stn under Bhiwani Distt.				
S.No.	Name of S/Stn	STD CODE	TEL. NO.	MOB. NO.
<u>OP CITY DIVN. BHIWANI</u>				
<u>400 KV S/Stn.</u>				
1	400 KV S/Stn. BBMB Prem Nagar	01664	272026 & 272028	
<u>220 KV S/Stn.</u>				
2	220KV S/Stn. Bhiwani	01664	242736	
<u>132 KV S/Stn.</u>				
1	132KV S/Stn. Bhiwani	01664	242797	
2	132KV S/Stn. Tosham	01253	214034	9315412550
3	132KV S/Stn. I/Area Bhiwani	01664	215492	9812263961
<u>33 KV S/Stn.</u>				
1	33KV S/Stn. Chang			9812215735 &9315891690
2	33KV S/Stn. HUDA Bhiwani	01664	217065	9354112550
3	33KV S/Stn. Tosham	01253	258234	9315891684
4	33KV S/Stn. N/Canal	01253	214668	9315891679
5	33KV S/Stn Khanak			9315891670
<u>OP, S/U DIVISION Bhiwani</u>				
<u>132 KV S/Stn.</u>				
1	132 KV S/Stn. Jui	01664	287534	
2	132 KV S/Stn. Dhigawa	01252	221252	
3	132 KV S/Stn. Loharu	01252	258797	
4	132 KV S/Stn. Behal	01255	262332	
5	132 KV S/Stn. Miran	01253	221253	
<u>33 KV S/Stn.</u>				
1	33KV S/Stn. Devrala	01253	281653	9992117157
2	33KV S/Stn. Dwarka	01252	287241	9992117163
3	33KV S/Stn. Mithi			9992117160
4	33KV S/Stn. Serla			9992117161
5	33KV S/Stn. Lohani	01664	261739	9992117156
6	33KV S/Stn. Nekipur			9992117158
7	33KV S/Stn. Siwani	01255	277269	9992117162
8	33KV S/Stn. Isherwal	01255	282334	9992117159

OP, DIVISION Ch.Dadri			
220 KV S/Stn.			
1	220KV S/Stn BBMB Dadri	01250	220234
132 KV S/Stn.			
2	132 KV S/Stn.Badhra	01252	253186
3	132 KV S/Stn. Atela Kalan	01250	288236
4	132 KV S/Stn. Dadri-1	01250	220024
5	132 KV S/Stn. Dadri-2	01250	220260
6	132 KV S/Stn. Jhojhu	01250	263033
33 KV S/Stn.			
1	33KV S/Stn. Lad	01250	253443
2	33KV S/Stn. Berla	01250	265526
3	33KV S/Stn. Mandhi		
4	33KV S/Stn. Sanjarwas	01250	247435
5	33KV S/Stn. Makrana	01250	281266
6	33KV S/Stn. Morwala	01250	254597
7	33KV S/Stn. R.D.0	01250	220069
8	33KV S/Stn. Rudrol	01250	264311
9	33KV S/Stn. Kadma	01250	288539
10	33KV S/Stn. Nandha		

List of Telephone Numbers of Complaint Centers			
Description			
Complaint Center Naya Bazar Bhiwani		01664-242808	
Complaint Center Bichla Bazar Bhiwani		01664-242736	
Complaint Center Heera Chock Dadri		01250-288258	
Complaint Center Kathmandi Dadri		01250-220084	
Complaint Center Champa Puri Dadri		01250-223420	

10) Transmission Line Data

43

Sr. No.	Name of voltage level of originating substation	Name of 33 KV feeder	Name of Sub-Division	Conductor		33 KV substation being fed by this feeder		
				Size	Length(in KM)	Name	Capacity	
1	132KV.S/Stn.Bhiwani	33KV.I/Area	OP.S/Divn.No1&2	0.15&0.1Sq"	6KM(33KV.S/Stn.I/A)	I/Area Bhiwani	S/Stn.Disbanded	
							0	
							0	
						4KM(T-Off from 33 KV.I/A line)	HUDA	6.3/8MVA
					14.5KM(T-Off from 33 KV.I/A line)	Chang	6.3/8MVA	
2	132KV.S/Stn.Bhiwani	33KV.Tosham	OP.S/Divn. Tosham	0.075Sq"	24KM	Tosham	2x4MVA 1x6.3MVA	
3	132KV.S/Stn.Miran	33KV.Tosham	OP.S/Divn. Tosham	0.075Sq"	20KM	Tosham	2x4MVA 1x6.3MVA	
						4KM(T-Off from 33 KV.Tosham line)	Nigana Canal	1x4MVA 1x6.3MVA
						10KM(T-Off from 33 KV.Tosham line)	Khanak	1x6.3/8MVA
						4	132KV.S/Stn.Hansi	33KV.Bawani Khera
5	132KV.S/Stn.Miran	33KV.Siwani	OP.S/Divn. Siwani	0.075Sq"	18KM	Siwani	1x6.3MVA 1x6.3MVA	
6	132KV.S/Stn.Miran	33KV.Isherwal	OP.S/Divn.Siwani	0.075Sq"	12KM	Isherwal	1x6.3/8MVA	
7	132KV.S/Stn.Jui	33KV.Behal	OP.S/Divn.Behal	0.075Sq"	42KM	Behal	S/Stn.Disbanded	
						0.7KM(T-Off from 33 KV.Behal line)	Serla	1x5MVA
						10KM(T-Off from 33 KV.Behal line)	Mithi	1x4MVA 1x5MVA
8	132KV.S/Stn.Jui	33KV Lohani	OP S/Divn Jui	0.1Sq"	17KM	Lohani	1x6.3/8MVA 1x6.3MVA	
9	132KV.S/Stn.Jui	33KV Devrala	OP S/Divn Jui	0.1Sq"	20KM	Devrala	1x6.3MVA 1x4MVA	
10	132KV.S/Stn.Jui	33KV Dwarka	OP S/Divn Jui	0.1Sq"	9KM	Dwarka	1x4MVA	
11	132KV S/Stn.Dhigawa	33KV Nekipur	OP S/Divn Dhigawa	0.2 Sq"	12KM	Nekipur	3x5MVA	
12	132KV S/Stn.Dhigawa	33KV Loharu	OP S/Divn Loharu	0.15 Sq"	16KM	Loharu	Lying idle after disbanding of 33KV S/Stn. Loharu. 33KV S/Stn Singhani has been proposed on this line.	
13	132KV S/Stn.Dadri 2	33KV Sanjarwas	OP S/Divn Sanjarwas	0.075 Sq"	19KM	Sanjarwas	2x4MVA 1x6.3MVA	

14	132KV S/Stn.Dadri 2	33KV RD-0	OP City S/Divn Dadri	0.075 Sq"	2.5KM	RD-0	1x5MVA 1x4MVA
15	132KV S/Stn.Dadri 2	33KV Morwala	OP S/U S/Divn Dadri	0.075 Sq"	25KM	Morwala	1x6.3MVA
16	132KV S/Stn.Dadri 2	33KV Makrana	OP S/U S/Divn Dadri	0.075 Sq"	12KM	Makrana	1x4MVA 1x5MVA
17	132KV S/Stn.Jhojhu Kalan	33KV Kadma-Rudrol	OP S/Divn Jhojhu Kalan	0.1 Sq"	13KM	Kadma	3x5MVA
					0.5KM(T-Off from 33 KV.Kadma line)	Rudrol	2x4MVA
							1x5MVA
							1x6.3MVA
18	132KV S/Stn.Atela Kalan	33KV Berla Mandhi	OP S/Divn Jhojhu	0.075 Sq"	17KM	Berla	3x5MVA
19	132KV S/Stn.Badhra	33KV Lad	OP S/Divn Badhra	0.075 Sq"	0.5KM(T-Off from 33 KV.Berla line)	Mandhi	1x5MVA
							2x4MVA
20	132KV S/Stn. Badhra	33KV Nandha	OP S/Divn Badhra	0.1 Sq"	10KM	Lad	1x5MVA 1x6.3/8MVA
					9KM	Nandha	1x4MVA

(11) Division Wise 11KV line Details

45

OP City Divn. Bhiwani

Sr. No.	Name & voltage level of originating substation	Name of 11 KV feeder	Conductor		Max demand recorded during the year in Amp.
			Size	Length	
1	220 KV S/Stn. Bhiwani				
1		Haluwas	3,6&8SWG	135	290
2		Bapora	3,6&8SWG	20.5	380
3		Anajmandi	3&6SWG	12	200
4		Patram Gate	3SWG	13	210
5		Shiv Nagar	3SWG	9	170
6		Hindustan Gum	3SWG	2.3	150
7		Dinod	3&6SWG	25	180
8		Hassan	3&6SWG	17	175
2	132 KV S/Stn. Bhiwani				
9		Hospital	3SWG	2.5	45
10		Jui Canal	6&8SWG	15.5	95
11		Elegant	3SWG	0.75	180
12		Krishna Colony	3SWG	4	170
13		BTM	3SWG	0.75	80
14		TIT	3SWG	2.5	50
15		W/Works	6SWG	2.2	120
16		City	3&6SWG	4.2	210
17		Prem Nagar	8SWG	6	190
3	132 KV S/Stn. I/Area Bhiwani				
18		Workshop	3SWG	3	240
19		Dinod Gate	3SWG	2	210
20		M.C.Colony	3&6SWG	5	150
21		Hanuman Gate	3&6SWG	5	240
22		Industrial Area	3&6SWG	3	240
23		P/Gate	3SWG	13	160
24		Vikas Nagar	3&6SWG	4	170
25		Bamla	3&6SWG	35	180
26		Chang	6SWG	12	260
4	132 KV S/Stn. Tosham				
27		Jhhanvari	3,6&8SWG	54	200
28		Patodi	6&8SWG	55	290
29		Tosham	3,6&8SWG	8	180
30		Biran	3&6SWG	35	190
31		Baganwala	3&6SWG	8	280
5	33 KV S/Stn. Bawani Khera				
32		Dhanana			200
33		Pur	3,6&8SWG	42	100
34		Bawani Khera	3&6SWG	10	100
6	33 KV S/Stn. Khanak				
35		Dadam	3&6SWG	8	180
36		Pinjokhra	3,6&8SWG	14	140

7	33 KV S/Stn. Nigana Canal				
37		P.House No.2&3	3SWG	12	150
38		Sungarpur	3&6SWG	7	300
8	33 KV S/Stn. HUDA				
39		Sec-13	3SWG	6	220
40		Watar Works	3&6SWG	3	150
9	33 KV S/Stn. Chang				
41		Chang	6SWG	12	90
42		Sai	6SWG	10	60
43		Mithathal	6&8SWG	8.5	90
44		Badesara	3,6&8SWG	40	160
10	33 KV S/Stn. Tosham				
45		Khanak	3&6SWG	12	295
46		Muzadpur	3,6&8SWG	22	140
47		Nalwa	3,6&8SWG	27	250
48		Nigana Canal	8SWG	12	10
11	132 KV S/Stn., Miran				
49		Bussan	3&6SWG	18	140
50		Deavsar	3&6SWG	21	160

798.7

(11) Division Wise 11KV line Details

OP S/U Divn. Bhiwani

Sr. No.	Name & voltage level of originating substation	Name of 11 KV feeder	Conductor		Max demand recorded during the year in Amp.
			Size	Length	
1	132 KV S/Stn. Jui				
1		Kuralbas	8SWG	27	340
2		Ladawas	8SWG	35	260
3		Kairu	6SWG	35	300
4		Jui Canal	3SWG	43	180
5		Nangla	8SWG	22	300
6		Jeetpura	8SWG	43	270
7		Dawarka	8SWG	42	280
8		Umarwas	8SWG	10	220
9		Jui City	6SWG	10	220
2	132 KV S/Stn. Dhigawa				
10		Bithan	4&6SWG	49	300
11		Kari	4&6SWG	51	280
12		Bardu	4&6SWG	67	300
13		Sirsali	6SWG	58	300
14		Kharkari	3&6SWG	41	380
15		D/Mandi	3&4SWG	3	60
16		Singhani	4&6SWG	67	360
17		Budhera	3&4SWG	58	380
18		Jui Canal	3SWG	50	60
19		D/Laxman	3&4SWG	41	190
20		D/Rathi	6SWG	40	240
21		Khorda	4SWG	39	340
3	132 KV S/Stn. Miran				
22		Busan	6&8SWG	55	105
23		PH No. 4to8	6SWG	45	150
24		Miran	6SWG	38	160
4	132 KV S/Stn. Loharu				
25		Fartia	6SWG	40	300
26		Bishalwas	6SWG	36	300
27		Gausala	6SWG	39	300
28		Loharu	3&6SWG	48	170
29		Gignou	3&6SWG	48	300
30		Gothra	3&6SWG	48	300
31		Sohansara	3&6SWG	28	290
32		Pathrwa	3&6SWG	21	270
33		Jhhumpa Kalan	3&6SWG	25	255
5	132 KV S/Stn. Behal				
34		Paju	6&8SWG	28	180
35		BRCM	6SWG	2	25
36		Behal	6SWG	12.5	110
37		Sirsi	6SWG	31	200
38		Sorda	6&8SWG	46	290
39		D/Khera	6&8SWG	39	150

40		Patwan	6&8SWG	32	290
41		Sudhws	6&8SWG	21	200
42		Noonsar	6&8SWG	22	150
43		Surpura	6&8SWG	35	245
44		Gokalpura	6&8SWG	37	260
6	33 KV S/Stn. Siwani				
45		Kalod	6SWG	41	180
46		Siwani	6SWG	5	99
47		Jhumpa	6SWG	85	85
48		Rupana	6SWG	8	6
49		Devsar	6SWG	51	155
50		Jai Bharat	6SWG	2	70
7	33 KV S/Stn. Nekipur				
51		Nangal	8SWG	44	90
52		Pahari	8SWG	40	250
53		Chahar Kalan	6SWG	55	250
54		Damkora	6SWG	60	250
55		Sehar	6SWG	42	240
56		Chahar Khurd	3SWG	52	250
57		Dhana Jogi	6SWG	34	150
8	33 KV S/Stn. Lohani				
58		Hetampura	8SWG	106	200
59		PH No. 2	6SWG	16	100
60		Lalhana	8SWG	145	310
61		Devsar	6SWG	50	110
9	33 KV S/Stn. Isharwal				
62		PH No. 4to8	3SWG	45	100
63		Hassan	6SWG	90	200
64		Gopalwas	6SWG	80	240
65		Isharwal	6SWG	75	250
66		Bidhwan	6SWG	50	150
10	33 KV S/Stn. Dawarka				
67		Dawarka	6SWG	30	200
68		Dandma	6SWG	39	190
11	33 KV S/Stn. Serla				
69		Bidnoi	3,6&8SWG	45	40
70		Serla	3,6&8SWG	38	185
71		Noonsar	3,6&8SWG	22	225
12	33 KV S/Stn. Devrala				
73		Devrala	3SWG	20	260
74		Indiwali	8SWG	25	280
75		Obra	3&6SWG	42	240
76		JNV	6SWG	2.5	5
13	33 KV S/Stn. Mithi				
77		Mithi	6SWG	9	210

(11) Division Wise 11KV line Details

OP Divn. Ch.Dadri

Sr. No.	Name & voltage level of originating substation	Name of 11 KV feeder	Conductor		Max demand recorded during the year in Amp.
			Size	Length in KM	
1	132 KV S/Stn. Dadri 1				
1		Mahendergarh Road	3,6&8SWG	7	20
2		Rawaldhi	3,6&8SWG	41	150
3		Watarworks	3 SWG	10	30
4		Sampur	3,6&8SWG	42	230
5		Dadri City	3,6&8SWG	10	130
6		CCI	0.1Sq"	2	20
2	132 KV S/Stn. Dadri 2				
7		Dadri Urban	3 SWG	9	260
8		Kitalana	3,6&8SWG	120	295
9		Balkara	3,6&8SWG	47	300
10		Chirya Road	3 SWG	15	160
11		RD-0	3 SWG	20	2
12		RD-62	3 SWG	45	80
3	132 KV S/Stn. Atela Kalan				
13		Mehra	3,6&8SWG	28	270
14		Tiwala	3,6&8SWG	26	180
15		Sarangpur	3,6&8SWG	55	360
16		Bilawal	3,6&8SWG	25	300
17		Hadodi	3,6&8SWG	34	280
18		Rampura	3SWG	43	270
19		Dudiwala	3,6&8SWG	46	260
20		PH No. 2	3SWG	4	140
21		PH No. 4	3SWG	2	120
22		PH No. 5	3SWG	4	120
23		PH No. 3	3SWG	2	120
4	132 KV S/Stn. Jhojhu Kalan				
24		Jhojhu	3,6&8SWG	9	130
25		Pichopa	3,6&8SWG	64	320
26		Ashawari	3,6&8SWG	69	280
27		Adampur	3,6&8SWG	69	300
28		Jawa	3,6&8SWG	72	300
29		Rambas	3,6&8SWG	54	300
30		Badal	3,6&8SWG	27	280
31		Kalyana	3,6&8SWG	24	160
5	132 KV S/Stn. Badhra				
32		Bhandwa	3,6&8SWG	22	300
33		Nandha	3,6&8SWG	58	300
34		Hansawas	3,6&8SWG	55	300
35		Kakroli	3,6&8SWG	28	280
36		Hadodi	3,6&8SWG	34	270
37		Mandhi	3,6&8SWG	34	300
6	33 KV S/Stn. Berla				
38		Mandhi	3,6&8SWG	14	220
39		PH No. 6	3SWG	5	120
40		PH No. 7&8	3SWG	4	120
41		Chandwas	3,6&8SWG	18	260
42		Dagroli	3,6&8SWG	44	260

7	33 KV S/Stn. Nandha				
43		Nandha	3&6SWG	35	120
44		Dhansari	3&6SWG	32	190
8	33 KV S/Stn. Rudrol				
45		Rudrol A	3,6&8SWG	32	260
46		Rudrol B	3,6&8SWG	28	100
47		Dagrol A	3,6&8SWG	36	300
48		Dagrol B	3,6&8SWG	33	300
49		Kanhra	3,6&8SWG	36	200
50		PH No. 1&2	3SWG	10	80
51		PH No. 5&6	3SWG	10	100
52		PH No. 3&4	3SWG	10	100
9	33 KV S/Stn. Sanjarwas				
53		Phogat	3,6&8SWG	83	290
54		Imlota	3,6&8SWG	44	210
55		Aun	3,6&8SWG	48	200
56		Sanga	3,6&8SWG	29	90
57		R.D.34	6SWG		0
10	33 KV S/Stn. Kadma				
58		Gopalwas	3,6&8SWG	34	250
59		Badrai	3,6&8SWG	29	240
60		Kadma	3,6&8SWG	14	180
61		Suhri	3,6&8SWG	10	120
62		PH No. 1&2	3SWG	12	
11	33 KV S/Stn. Makrana				
63		Chirya	3,6&8SWG	10	195
64		Gothra	3,6&8SWG	60	260
12	33 KV S/Stn. Mandhi				
65		Hooi	3,6&8SWG	18	250
66		Pichopa	3,6&8SWG	18	200
67		Harodi	3,6&8SWG	44	120
13	33 KV S/Stn. RD-0				
68		RD-0	3SWG		150
69		Ghikara Road	3,6 SWG	33	205
14	33 KV S/Stn. Lad				
70		Bhandwa	3,6&8SWG	8	230
71		Lad	3,6&8SWG	15	170
72		Smasawas	3,6&8SWG	28	270
73		Ahamdwas	3,6&8SWG	30	270
74		Barwas	3,6&8SWG	26	160
15	33 KV S/Stn. Morwala				
75		Sarupgarh	3,6&8SWG	24	180
76		Loharwara	3,6&8SWG	46	230

12) Division wise 33KV S/Stn detail (Capacity & Max. load)

S.No.	Name of Division / S/Stn	Capacity of transformer in MVA	Voltage ratio in KV	Maximum load recorded	
				Amp.	MVA
1	OP City Divn. Bhiwani				
	33KV S/Stn. Chang	1x6.3/8MVA	33/11KV	345	6.58
	33KV S/Stn. HUDA Bhiwani	1x6.3/8MVA	33/11KV	350	6.68
	33KV S/Stn. Tosham	1x6.3 MVA	33/11KV	295	5.63
		1x4MVA	33/11KV	140	2.67
		1X4 MVA	33/11KV	195	3.72
	33KV S/Stn. N/Canal	1x6.3MVA	33/11KV	300	5.72
		1x4MVA	33/11KV	150	2.86
	33KV S/Stn Khanak	1x6.3/8MVA	33/11KV	250	4.77
	33KV S/Stn. Bawani Khera	1x4MVA	33/11KV	200	3.21
		1x4MVA	33/11KV	200	3.21
2	OP S/U Divn Bhiwani				
	33KV S/Stn. Devrala	1x6.3 MVA	33/11KV	360	6.87
		1x6.3 MVA	33/11KV	290	5.53
	33KV S/Stn. Dwarka	1X4 MVA	33/11KV	190	3.62
		1X4 MVA	33/11KV	200	3.82
	33KV S/Stn. Mithi	1X4MVA	33/11KV	210	4.00
	33KV S/Stn. Serla	1X5 MVA	33/11KV	225	4.29
	33KV S/Stn. Lohani	1X5MVA	33/11KV	260	4.96
		1X6.3/8MVA	33/11KV	420	8.00
	33KV S/Stn. Nekipur	1x5MVA	33/11KV	250	4.77
		1x5MVA	33/11KV	250	4.77
		1x5MVA	33/11KV	250	4.77
	33KV S/Stn. Siwani	1x5MVA	33/11KV	280	5.34
		1x6.3MVA	33/11KV	222	4.23
	33KV S/Stn. Isherwal	1x6.3/8MVA	33/11KV	410	7.82
		1x6.3MVA	33/11KV	260	4.96
3	OP Divn. Ch.Dadri				
	33KV S/Stn. Lad	1x5MVA	33/11KV	240	4.58
		1x6.3/8MVA	33/11KV	350	6.67
	33KV S/Stn. Berla	1x5MVA	33/11KV	260	4.96
		1x5MVA	33/11KV	260	4.96
		1x5MVA	33/11KV	260	4.96
	33KV S/Stn. Mandhi	1x5MVA	33/11KV	230	4.39
		1x4MVA	33/11KV	220	4.20
		1x4MVA	33/11KV	110	2.10
	33KV S/Stn. Sanjarwas	1x4MVA	33/11KV	200	3.81
		1x4MVA	33/11KV	210	4.00
		1x6.3MVA	33/11KV	345	6.58
	33KV S/Stn. Makrana	1x5MVA	33/11KV	260	4.96
		1x4MVA	33/11KV	195	3.72
	33KV S/Stn. Morwala	1x6.3MVA	33/11KV	330	6.30
	33KV S/Stn. R.D.0	1x5MVA	33/11KV	205	3.91
		1x4MVA	33/11KV	130	2.48
	33KV S/Stn. Rudrol	1x4MVA	33/11KV	200	3.81
		1x4MVA	33/11KV	150	2.86
		1x5MVA	33/11KV	250	4.77
		1x6.3MVA	33/11KV	300	5.72
	33KV S/Stn. Kadma	1x5MVA	33/11KV	240	4.58
		1x5MVA	33/11KV	240	4.58
		1x5MVA	33/11KV	250	4.77
	33KV S/Stn. Nandha	1x4MVA	33/11KV	200	3.82

13) Capacitor Bank Details-Installed Capacity, Make & Working capacity

Sr. No.	Name of S/Stn.	Voltage rating of capacitor	Capacity at rated voltage in MVAR	Make	No. of units forming the Capacitor	Capacity of each unit in KVAR	No. of units as on 31.03.07	
							Healthy	Defective
1	OP City Divn. Bhiwani							
	33KV S/Stn. Chang	11KV	3	Instrans	18	150	18	0
	33KV S/Stn. HUDA Bhiwani	-do-	3	ABB	18	150	18	0
	33KV S/Stn. Tosham	-do-	1.2	Khatu Jhankar	24	50	0	24
		-do-	1.2		12	84	0	12
		-do-	2.1	Bhel	0	0	0	0
	33KV S/Stn. N/Canal	-do-	1.2		0	0	0	0
		-do-	2.1		0	0	0	0
	33KV S/Stn Khanak	-do-	3	ABB	18	150	18	0
	33KV S/Stn. Bawani Khera	-do-	1.2	Shreen	10	150	9	1
		-do-	1.2		0	0	0	0
					0	0	0	0
2	OP S/U Divn Bhiwani							
	33KV S/Stn. Devrala	-do-	2.1		0	0	0	0
		-do-	2.1		0	0	0	0
	33KV S/Stn. Dwarka	-do-	1.2	Shreen	12	150	0	12
		-do-	1.2		0	0	0	0
	33KV S/Stn. Mithi	-do-	1.2		0	0	0	0
	33KV S/Stn. Serla	-do-	1.8		12	150	12	0
	33KV S/Stn. Lohani	-do-	1.8	Mahan	12	100	12	0
		-do-	3		0	0	0	0
	33KV S/Stn. Nekipur	-do-	1.8		0	0	0	0
		-do-	1.8		0	0	0	0
		-do-	1.8		0	0	0	0
	33KV S/Stn. Siwani	-do-	1.2	Mahan	12	50	0	0.6
		-do-	2.1	Bhel	12	150	0	12
	33KV S/Stn. Isherwal	-do-	3		0	0	0	0
		-do-	2.1	Bhel	12	100	0	12
					0	0	0	0
3	OP Divn. Ch.Dadri							
	33KV S/Stn. Lad	-do-	1.8	Shreen	0	0	0	0
		-do-	3		0	0	0	0
	33KV S/Stn. Berla	-do-	1.2	Crompton	12	100	12	0
		-do-	0		0	0	0	0
		-do-	1.2	Crompton	12	100	12	0
	33KV S/Stn. Mandhi	-do-	1.8	Ricco	0	0	0	0
		-do-	1.2		0	0	0	0
		-do-	1.2		0	0	0	0
	33KV S/Stn. Sanjarwas	-do-	1.2	Mei	12	100	12	0
		-do-	1.2		0	0	0	0
		-do-	2.1		0	0	0	0
	33KV S/Stn. Makrana	-do-	1.8	Jhatu Jhankar	12	150	12	0
		-do-	1.2		0	0	0	0

	33KV S/Stn. Morwala	-do-	2.1		0	0	0	0
	33KV S/Stn. R.D.0	-do-	1.2	Shreen	12	150	12	0
		-do-	1.2		0	0	0	0
	33KV S/Stn. Rudrol	-do-	1.2		0	0	0	0
		-do-	1.2	Mei	12	100	6	6
		-do-	1.8	Mei	12	100	12	0
		-do-	2.1	Bhel	12	84	6	6
	33KV S/Stn. Kadma	-do-	1.8	Shreen	12	150	12	0
		-do-	1.8		0	0	0	0
		-do-	1.8		0	0	0	0
	33KV S/Stn. Nandha	-do-			0	0	0	0