



**DAKSHIN HARYAN BIJLI
VITRAN NIGAM**

TECHNICAL DIARY

'OP' CIRCLE

NARNAUL

(AS ON 31-03-2007)

INDEX

Sr. No.	Description	Page No.
1	33 KV S/Stns., Ongoing Works	1
2	Approved 33 KV Works	.1.
3	Divission Wise S/Stn. Detail	2
4	District Wise S/Stn. Detail	3-8.
5	Detail of 11 KV Feeders	.9-13
6	Important Telephone of District Administration	.14-19
7	Power Map	20
8	Single Line Diagram of 220/132/66/33 KV S/Stns.	.21-49
9	Telephone No. of DHBVN Circle Administration	50-52
10	Transmission Line Data	53-54
11	Division Wise 11 KV Feeders Load Detail	55-60
12	Division Wise 33 KV S/Stn. Load Detail	61-62
13	Capacitor Bank Detail	63

**DISTRICT WISE DETAIL OF STNS.
REWARI DISTRICT**

Sr. No	Name of Divn.	No. of S/Stn.in KV					Total
		400	220	132	66	33	
		400	220	132	66	33	
1	DHARUHERA	0	0	3	1	3	7
2	REWARI	0	1	2	0	11	14
	G.Total	0	1	5	1	14	21

2 MOHINDERGARH DISTRICT

Sr. No	Name of Divn.	No. of S/Stn.in KV					Total
		400	220	132	66	33	
		400	220	132	66	33	
1	OP NARNAUL	-	1	2	-	8	11
2	MOHINDERGARH	-	1	3	-	12	16
	G.Total	0	2	5	0	20	27

Capacitor Bank Detail

NARNAUL CIRCLE**DIVISION WISE DETAIL OF S/STNS.**

Sr. No	Name of Divn.	No. of S/Stn.in KV					Total
		400	220	132	66	33	
		400	220	132	66	33	
1	DHARUHERA	-	-	3	1	3	7
2	REWARI	-	1	2	-	11	14
3	OP NARNAUL	-	1	2	-	7	10
4	MOHINDERGARH	-	1	3	-	12	16
	G.Total	-	3	10	1	33	47

Capacitor Bank Detail

**DISTRICT WISE DETAIL OF STNS.
REWARI DISTRICT**

Sr. No	Name of Divn.	No. of S/Stn.in KV					Total
		400	220	132	66	33	
		400	220	132	66	33	
1	DHARUHERA	0	0	3	1	3	7
2	REWARI	0	1	2	0	11	14
	G.Total	0	1	5	1	14	21

2 MOHINDERGARH DISTRICT

Sr. No	Name of Divn.	No. of S/Stn.in KV					Total
		400	220	132	66	33	
		400	220	132	66	33	
1	OP NARNAUL	-	1	2	-	8	11
2	MOHINDERGARH	-	1	3	-	12	16
	G.Total	0	2	5	0	20	27

Capacitor Bank Detail

REWARI DISTRICT

LIST OF EXISTING 400KV,220 KV,132KV & 33KV S/STNs UNDER 'OP'DIVN. DHARUHERA AS ON 25.06.07.

S.No.	Name of S/Stn	Capacity of Power T/F installed	
		Nos	Voltage Ratio
OP, DIVISION DHARUHERA			
1	132KV S/STATION BAWAL	2x10/16 MVA	132/11KV
2	132KV S/STATION HSIDC BAWAL	1X16/20 MVA	132/11KV
3	132KV S/STATION GOTHRA(PALI)	1x10/16 MVA 1x10/16 MVA T/F INSTALLED BUT NOT COMMISSINED	132/11KV
4	66 KV S/STATION DHARUHERA	1X16/20 MVA	66/33KV
5	33 KV S/STATION JARTHAL	2X12.5/16 MVA	66/11 KV
6	33 KV S/STATION JONAWAS	2X6.3/8 MVA	33/11KV
7	33 KV S/STATION BHARAWAS	1X6.3/8 MVA	33/11KV
		1X6.3 MVA	33/11KV
		1X4MVA	33/11KV
Capacitor Bank Detail			
220KV S/STN.			
1	220 KV Sub Station Rewari.	1x100 MVA	220/132KV
		1x50 MVA	220/132KV
		1x25 MVA	132/33KV
		1x12.5 MVA	132/33KV
		2x10/16 MVA	132/11KV
132KV S/STN.			
1	132KVS/Station Kosli.	2x20/31.5 MVA	132/33KV
		1x8 MVA	33/11KV
		1x5 MVA	33/11KV
		1x4 MVA	33/11KV
2	132KV S/Station Buroli.	1x10/16 MVA	132/33KV
		2x10/16 MVA	132/11KV
33KV S/STN.			
1	33KV S/Stn., Model Town REWARI.	2X4 MVA	33/11KV
2	33KV S Stn., JC-IV	2X4 MVA	33/11KV
3	33KV S/Stn., JC-II.	1X5 MVA	33/3.3KV
		1X6.3.8MVA	33/11KV
4	33KV S/Stn., Jharoda.	2X6.3/8 MVA	33/11KV
5	33KV S/Stn., Palawas.	1x6.3 MVA	33/11KV
		1x5 MVA	33/11KV
6	33 KV S/Stn., Khushpura.	2x5 MVA	33/11KV
7	33KV S/Stn., khol.	1x5 MVA	33/11KV
		1x4 MVA	33/11KV
8	33KV S/Stn., Dahina.	1x6.3 MVA	33/11KV
		1x5 MVA	33/11KV
		1x4 MVA	33/11KV
9	33KV S/Stn., JC-I (Gudiyani) Pump House.	1x4 MVA	33/11KV
10	33KV S/Stn., MC-(Juddi). Pump House.	1x3.5 MVA	33/3.3KV
		1x5 MVA	33/3.3KV
11	33KV S/Stn., MC-ii (BISOWA) Pump House.	1x5 MVA	33/3.3 KV

S.No.	Name of S/Stn	Capacity of Power T/F installed	
		Nos	Voltage Ratio

5

OP, DIVISION, NARNAUL			
220 KV S/Stn.			
1	220KV S/snt. Narnaul	2X100MVA	220/132 KV
		2x16/20 MVA	132/33 KV
		3x10/16 MVA	132/11 KV
132 KV S/Stn.			
1	132KV Ateli	2x10/16 MVA	132/11KV
		1x16/20 MVA	132/33 KV
2	132 KV N/Choudhary	2x10/16 MVA	132/11 KV
33 KV S/Stn.			
1	33 KV D/Bhathotha	1x6.3/8MVA	33/11KV
		1x5 MVA	33/11KV
2	33KV S/Stn. Nizampur	1x6.3/8MVA	33/11KV
3	33KV S/Stn Khatoti	1x6.3 MVA	33/11KV
		1x4 MVA	33/11KV
4	33KV s/stn Kanti	1x6.3/8 MVA	33/11KV
		1x5 MVA	33/11KV
5	33KV S/Stn. Garhi Mahasar	1x6.3/8MVA	33/11KV
6	33 KV S/Stn. Dubalana	2x5 MVA	33/11KV
7	33 KV S/Stn. Indl. Estate NNL	1x6.3/8MVA	33/11KV
OP, DIVISION Mohindergarh			
220 KV S/Stn.			
1	220KV Mohindergarh	2X100MVA	220/132 KV
		2X10/16MVA	132/33 KV
		1x12.5MVA	132/33 KV
		2X10/16MVA	132/11KV
		1x12.5MVA	132/11KV
132 KV S/Stn.			
1	132KV Kanina	1X16/20MVA	132/33KV
		1X10/16MVA	132/11KV
		1x6.3MVA	33/11KV
2	132 KV Satnali	1x10/16MVA	132/11KV
3	132 KV Mundia-Khera	1x10/16MVA	132/11KV
33 KV S/Stn.			
1	33 KV Zerpur	1x6.3/8MVA	33/11KV
2	33 KV Barda	4MVA + 5MVA	33/11KV
3	33 KV N-Sirohi	1x6.3/8MVA	33/11KV
		1x4MVA	33/11KV
4	33 KV Jant	1x5MVA	33/11KV
		1x6.3/8MVA	33/11KV
5	33 KV Bhojawas	5MVA + 5MVA	33/11KV
6	33 KV Bawania	5MVA + 4MVA	33/11KV
33/3.3 KV P-House			
1	33/3.3 KV MC-3	2x3.5MVA	33/3.3KV
2	33/3.3 KV MC-4	2x3.5MVA	33/3.3KV
3	33/3.3 KV MC-5	2x3.5MVA	33/3.3KV
4	33/3.3 KV NB-1	1x3.5MVA	33/3.3KV
5	33/3.3 KV NB-2	1x3.5MVA	33/3.3KV
6	33/3.3 KV NB-3	1x3.5MVA	33/3.3KV

REWARI DISTRICT
LIST OF 33KV & ABOVE S/STNs UNDER REWARI DISTT.

S.No.	Name of S/Stn	Capacity of Power T/F installed	
		Nos	Voltage Ratio
OP, DIVISION DHARUHERA			
1	132KV S/STATION BAWAL	2x10/16 MVA	132/11KV
2	132KV S/STATION HSIDC BAWAL	1X16/20 MVA	132/11KV
3	132KV S/STATION GOTHRA(PALI)	1x10/16 MVA 1x10/16 MVA T/F INSTALLED BUT NOT COMMISSINED	132/11KV
4	66 KV S/STATION DHARUHERA	1X16/20 MVA	66/33KV
5	33 KV S/STATION JARTHAL	2X12.5/16 MVA	66/11 KV
6	33 KV S/STATION JONAWAS	2X6.3/8 MVA	33/11KV
7	33 KV S/STATION BHARAWAS	1X6.3 MVA	33/11KV
		1X4MVA	33/11KV
OP, DIVISION REWARI			
1	Capacitor Bank Detail	1x100 MVA	220/132KV
		1x50 MVA	220/132KV
		1x25 MVA	132/33KV
		1x12.5 MVA	132/33KV
		2x10/16 MVA	132/11KV
132KV S/STN.			
1	132KVS/Station Kosli.	2x20/31.5 MVA	132/33KV
		1x8 MVA	33/11KV
		1x5 MVA	33/11KV
		1x4 MVA	33/11KV
2	132KV S/Station Buroli.	1x10/16 MVA	132/33KV
		2x10/16 MVA	132/11KV
33KV S/STN.			
1	33KV S/Stn., Model Town REWARI.	2X4 MVA	33/11KV
2	33KV S Stn., JC-IV	2X4 MVA	33/11KV
3	33KV S/Stn., JC-II.	1X5 MVA	33/3.3KV
		1X6.3.8MVA	33/11KV
4	33KV S/Stn., Jharoda.	2X6.3/8 MVA	33/11KV
5	33KV S/Stn., Palawas.	1x6.3 MVA	33/11KV
		1x5 MVA	33/11KV
6	33 KV S/Stn., Khushpura.	2x5 MVA	33/11KV
7	33KV S/Stn., khol.	1x5 MVA	33/11KV
		1x4 MVA	33/11KV
8	33KV S/Stn., Dahina.	1x6.3 MVA	33/11KV
		1x5 MVA	33/11KV
		1x4 MVA	33/11KV
9	33KV S/Stn., JC-I (Gudiyani) Pump House.	1x4 MVA	33/11KV
		1x3.5 MVA	33/3.3KV
10	33KV S/Stn., MC-(Juddi). Pump House.	1x5 MVA	33/3.3KV
11	33KV S/Stn., MC-ii (BISOWA) Pump House.	1x5 MVA	33/3.3 KV

S.No.	Name of S/Stn	Capacity of Power T/F installed	
		Nos	Voltage Ratio

7

OP DIVN., NARNAUL			
220 KV S/Stn.			
1	220KV S/snt. Narnaul	2X100MVA	220/132 KV
		2x16/20 MVA	132/33 KV
		3x10/16 MVA	132/11 KV
132 KV S/Stn.			
1	132KV Ateli	2x10/16 MVA	132/11KV
		1x16/20 MVA	132/33 KV
2	132 KV N/Choudhary	2x10/16 MVA	132/11 KV
33 KV S/Stn.			
1	33 KV D/Bhathotha	1x6.3/8MVA	33/11KV
		1x5 MVA	33/11KV
2	33KV S/Stn. Nizampur	1x6.3/8MVA	33/11KV
3	33KV S/Stn Khatoti	1x6.3 MVA	33/11KV
		1x4 MVA	33/11KV
4	33KV s/stn Kanti	1x6.3/8 MVA	33/11KV
		1x5 MVA	33/11KV
5	33KV S/Stn. Garhi Mahasar	1x6.3/8MVA	33/11KV
6	33 KV S/Stn. Dubalana	2x5 MVA	33/11KV
7	33 KV S/Stn. Indl. Estate NNL	1x6.3/8MVA	33/11KV
OP, DIVISION Mohindergarh			
220 KV S/Stn.			
1	220KV Mohindergarh	2X100MVA	220/132 KV
		2X10/16MVA	132/33 KV
		1x12.5MVA	132/33 KV
		2X10/16MVA	132/11KV
		1x12.5MVA	132/11KV
132 KV S/Stn.			
1	132KV Kanina	1X16/20MVA	132/33KV
		1X10/16MVA	132/11KV
		1x6.3MVA	33/11KV
2	132 KV Satnali	1x10/16MVA	132/11KV
3	132 KV Mundia-Khera	1x10/16MVA	132/11KV
33 KV S/Stn.			
1	33 KV Zerpur	1x6.3/8MVA	33/11KV
2	33 KV Barda	4MVA + 5MVA	33/11KV
3	33 KV N-Sirohi	1x6.3/8MVA	33/11KV
		1x4MVA	33/11KV
4	33 KV Jant	1x5MVA	33/11KV
		1x6.3/8MVA	33/11KV
5	33 KV Bhojawas	5MVA + 5MVA	33/11KV
6	33 KV Bawania	5MVA + 4MVA	33/11KV

S.No.	Name of S/Stn	Capacity of Power T/F installed	
		Nos	Voltage Ratio

8

33/3.3 KV P-House			
1	33/3.3 KV MC-3	2x3.5MVA	33/3.3KV
2	33/3.3 KV MC-4	2x3.5MVA	33/3.3KV
3	33/3.3 KV MC-5	2x3.5MVA	33/3.3KV
4	33/3.3 KV NB-1	1x3.5MVA	33/3.3KV
5	33/3.3 KV NB-2	1x3.5MVA	33/3.3KV
6	33/3.3 KV NB-3	1x3.5MVA	33/3.3KV

NARNAUL CIRCLE
DETAILS OF 11KV FEEDERS

Sr. No.	Name of Divn.	Rural	Urban	Independent	Indusrial	Essential	Mixed	Total
1	Dharuhera	37	1	7	14	4	2	65
2	Rewari	50	8	8	-	14	1	81
3	Narnaul	56	2	6	-	2	4	70
4	Mohindergarh	64	3	2	-	-	-	69
	G.Total	207	14	23	14	20	7	285

REWARI DISTRICT
DETAILS OF 11KV FEEDERS

Sr. No.	Name of Divn.	Rural	Urban	Independent	Indusrial	Essential	Mixed	Total
1	Dharuhera	37	1	7	14	4	2	65
2	Rewari	50	8	8	-	14	1	81
	G.Total	87	9	15	14	18	3	146

MOHINDERGARH DISTRICT

1	Narnaul	56	2	6	-	2	4	70
2	Mohindergarh	64	3	2	-	-	-	69
	G.Total	120	5	8		2	4	139

5					11
REWARI DISTRICT					
Detail of 11KV Feeders (Rural,Urban, Independent. Essential)					
(OP) Divn. DHARUHERA			(OP) Divn. DARUHERA		
Sr.	Name of 11kv feeder	Feeder's Nature	Sr. No.	Name of 11kv feeder	Feeder's Nature
	S/DIVN. DHARUHERA		11	KHANDORA	RURAL
	66 KV S/STATION DHR		12	DULEHRA	RURAL
1	PIPAKI	RURAL	13	JABUWA	RURAL
2	MEHRA II	TRUNK RURAL	14	TAKRI	RURAL
3	MULTI TECH -II	TRUNK INDL.		132 KV HSIDC BAWAL	
4	COMPLEX	MIXURBAN	15	AIG LTD.	INDEPENDENT
5	KATAWALI	RURAL	16	T. I. METAL	INDUSTRIAL
6	BHATSANA	RURAL	17	HSIDC	INDUSTRIAL
7	Capacitor Bank Detail	.TRUNK IND.	18	FORMOST	INDUSTRIAL
8	MAU	RURAL	19	CKT. - I	INDUSTRIAL
9	DHARUHERA	MIXURBAN	20	CKT- II	INDUSTRIAL
10	MEHRA I	.TRUNK IND.	21	YKK	INDUSTRIAL
	33 KV S/Stn., Jaharthal			S/DIVN.GOTHRA	
11	NIKHRI	RURAL		132 KV Pali Ghotra	
12	GENERAL IND.	INDUSTRIAL	1	PUNSIKA	RURAL
13	UNIPRODUCT	INDEPENDENT	2	KUNDAL	RURAL
14	ANANTRAJ	INDEPENDENT	3	KUND	RURAL
15	W/SUPPLY	ESSENTIAL	4	GUMINA	RURAL
16	JARTHAL	RURAL	5	CHITADUNGRA	RURAL
17	GARHI BOLINI	RURAL	6	KHORI	RURAL
	33 KV S/Stn., Jonawas		7	BALWARI	RURAL
18	MASSANI	RURAL	8	BASS DUDA	RURAL
19	MEERPUR	RURAL	9	GOTHRA	RURAL
20	KHIZURI	RURAL		33 KV S/Stn., Bharawas	
21	LUCAS TVS	INDEPENDENT	10	JATUWAS	RURAL
22	W/SUPPLY FEDERI	ESSENTIAL	11	KANUKA	RURAL
	66 KV S/STATION DHR		12	RAJGARH	RURAL
23	SIDHARATH PAPER	INDEPENDENT			65
24	GENERAL IND.-I	INDUSTRIAL			
25	OCCL	INDEPENDENT			
26	GENL. INDUSTRIAL II	INDUSTRIAL			
27	AKERA	RURAL			
28	SIDHRAWALI	RURAL			
29	KAPRIWAS	RURAL			
30	BHC	INDEPENDENT			
31	OMEX	INDUSTRIAL			
32	INDUSTRIAL GENL.	INDUSTRIAL			
	S/DIVN. BAWAL				
	132 KV S/Stn., Bawal				
1	PRANPURA	RURAL			
2	BAWAL	URBAN			
3	KARNAWAS	RURAL			
4	JLNC	ESSENTIAL			
5	MANGLESHWAR	RURAL			
6	W/SUPPLY AJERKA	ESSENTIAL			
7	MOHD. PUR	RURAL			
8	IBRAHIMPUR	RURAL			
9	SUBASERI	RURAL			
10	BIDAWAS	RURAL			

REWARI DISTRICT			
IMPORTANT TELEPHONE NUMBER			
OP Divn., DHBVN, DHARUHERA			
Name of Officer	Office with which attached	Mobile No.	
Er. S.S.Yadav	DGM (OP) Divn Dharuhera	9315440256	
Er. Avinash Yadav	AGM (OP) Divn. Gothra	9315891668	
Sh. Bhoop Singh JE-I	AGM (OP) Divn. Dharuhera	9315440257	
Sh. Jeet Ram JE-I	AGM (OP) Divn. Bawal	9315440258	
Sh. Ajit Singh JE	AGM (OP) Divn. Dharuhera	9315440467	
Sh. Rajender Singh JE	AGM (OP) Divn. Dharuhera	9315440464	
Sh. Joginder Singh AFM	AGM (OP) Divn. Dharuhera	9315440466	
Sh. Mamchand AFM	AGM (OP) Divn. Dharuhera	9315440468	
Compained Center	AGM (OP) Divn. Dharuhera	9315440469	
Sh. Hardev AFM	AGM (OP) Divn. Dharuhera	9315440470	
Sh. Rajender Singh JE	AGM (OP) Divn. Bawal	9354996230	
Sh. Hukam AFM Bawal	Capacitor Bank Detail	9354996260	
Sh. Jagdish AFM	AGM (OP) Divn. Bawal	9354996242	
Sh. Daya Ram AFM	AGM (OP) Divn. Bawal	9354996229	
Compained Center	AGM (OP) Divn. Bawal	9354996279	
LIST OF TELEPHONE OF S/Stn. in OP Divn., DHBVN, DHARUHERA			
Name of S/Stn.	Name of S/Divn.	Code No.	Tel. NO.
132 KV S/Stn. Bawal	AGM (OP) Divn. Bawal	1284	260042
132KV S/Stn. HSIDC Bawal	AGM (OP) Divn. Bawal	1284	264404
132KV S/Stn.Gothra (Pali)	AGM (OP) Divn. Gothra	1281	236631
66 KV S/Stn.			
66KV S/Station Dharuhera	AGM (OP) Divn. Dharuhera	1274	242235
33 KV S/Stn.			
33KVS/Station Jonawas	AGM (OP) Divn. Dharuhera	1274	240641
33KVS/Station Jarthal	AGM (OP) Divn. Dharuhera	1274	249028
33KVS/Station Bharawas	AGM (OP) Divn. Gothra	1281	246638
Designation	T/Phone No.		
SHO Dharuhera	242328		
SHO Bawal	260098		
SHO Kasola Chowk	222643		
SHO Khol	230034		
SDO T/Phone Dharuhera	242777		
SDO T/Phone Bawal	261000		
Tehsildar Bawal	260038		
Municipal Committee	260164		
Sarpanch Gram Panchayat Dharuhera	9416575110		
Medical Officer Bawal	260164		
Civil Hospital Dharuhera	242575		
SDO HSIDC Bawal	264404		

6				14
IMPORTANT TELEPHONE OF DISTRICT ADMINISTRATION				
OP Divn., DHBVN, REWARI				
Name of Office	Designation	Office	Residence	
Sh. Chander Parkash, IAS	D.C.		225368	225246, 223779,
Sh. Ram Singh Bisnoi, IPS	S.P.	222790, 223317	222491, 223224,	9416174533
Sh. S.S Dalal, HCS	A.D.C.	224447, 225249	225250, 9416036111,	9810164559
Sh. Birdu Ram Mahayach	Asstt.c Central Excise	261561, 260430		
Sh.	ITO		225144	
Sh. Subhita, HCS	CTM		225161	225162, 9416288769
Sh. G.L. Yadav, HCS	SDM Rewari	222270	221560, 225843,	9416066567
Sh. Rajiv Agarwal, HCS	SDm Kosli.	275160	275375, 9416087404,	9813800955
Sh. G.L. Yadav, HCS	E.O. HUDA	225284		
Sh. S.C. Goyal	G.M. Roadways	253788	220146, 9416069991,	Fax-253869
Sh.	D.T.O.		225245	
Sh. Khalil Ahamd, H.R.S.	D.R.O.	225145	225124, 9416478786,	2311786
Sh. Prithi Singh HCS	D.D.P.O.	225257	225212, 9416646389	
Sh. Jitender Singh	Tehsildar Rewari	223803, 221869,	9910397767,	9813568878
Sh. Dharam Pal	Tehsildar Kosli..	275187	9.417E+09	
Sh. Rajeev Sharma	Tehsildar Bawal	260038	260038, 9416267677	
Sh. Sat Roop Sharma	N.T. Rewari	223803	224730, 9416442101,	9416902323
Sh. Budh Ram	N.T. kosli.	275187	9416093121, 9910247643	
Sh. Deen Chand yadav	N.T. Bawal	232183, 260038	9412704835, 9416887018	
Sh.	N.T. Dhamhem	242225.PP	256187, 9416287626	
Sh. Rajendr Singh	N.T. Acctt.	223803	9416133633	
Sh. Sailsh Mahta	N.T. Sales	9818755983		
Sh. Ram Kishan	N.T. Election	222779,	9416341007	
Sh S.C. Agarwal	S.E. (Irrigation)	256894	256531, 9896823868	
Sh. K.K. Mahta	SE (PH)	260092	224799, 9896941003,	9416036723
Sh. D.K. Bhardawaj	SE HVPN NNL	251296	250900, 9315440241	
Sh. V.K. Gupta	SE HUDA Rtk	1262-271693, 279330,	9215566776	
Sh. G.R. Gupta	SE NH FBD	129-22811641, 2280374,	9254096100	
Sh. A.K. Jain	SE PWD B&RRtk	276076,	276997, 9416496734	
Sh. D.K. Gumbhir	XEN, (Public Health)	260341	225974, 9416341868	
Sh. Arun Kataria	Xen (B&R)	256936	222583, 9466356451,	9357396533
Sh. M.C. Goyal.	Xen, W.S. Divn.I	256759	124-2303668, 9896370974	
Sh. Sohan Lal	XEN. W/S" II	256727	9416702973, 253859	
Sh. J.S. Yadav	XEN Vigilance	256199,	9.416E+09	
Sh. B.K. Sharma	XEN, W/S (Mech)	256466 0124-2333402,	9416128399	
Sh. Anand Kumar Sharma	Xen Const. Divn. 33	260566, 9315487439		
Sh. Daljeet Singh	XEN. HVPN, Rewari	254762, 253507, 253754,	9315440251	
Sh. P.K. Paliwal	XEN HVPN ONM	258595, 9315315645,	250224	
Sh. S.S. Yadav	XEN HVPN, D/hera	242103, 242104, 242235,	9315440256	
Sh. Rampal Sanwan	XEN HSAMB	224187, 9891300992,	9416342552	
Sh. R.P.Dahiya	XEN (P.R.)	222260, 9416249240,	124-2580895, 9868714338	
S.h. D.R. Gupta	XEN (HUDA)	222402, 260550, 9810511243,	0124-4047236	
Sh. MilluRama	XEN, Hort, HUDA GGN	124-2321319, 9873520203		
Sh. Satish Sharma	XEN, Housing Board	0124-2328648, 99104002277,	9416067465	
Sh. C.R. Bishnoi	XEN,Police Housing	9215549740, SDO	9416713770	
Sh.	Xen HUDA Elect. GGN	124-2301616, 9810475764,	98101688667	
Sh. Hanuman Singh	XEN N.H. Rtd.	01262-277271, 9416053120,	1262-210729	
Sh. Anoop Singh	DECT (Sales Tax)	225147, 223370, 9818606888,	9416532440	
Sh. R.K. Dhindwal	DETC (Excise)	222833, 9466358376		
Sh. O.P. Godara	DFSC		225214, 9416497944	
Sh. Chauhan	DFSC	9213382266		
Sh. N.K. Goyal	GM (DIC)	225178, 9416265977		
Sh. Ram Chander Singh	Civil Surgeon	256769, 254743, 256086,	253811, 225072, 9416525011	
Sh. G.S. Yadav	Dy C.M.O.	9416529074, SMO	256231	
Sh. B.L. Vashnai	G.M. Telecom	257766, 224400, 256666,	9416010123, Fax 257322	
Sh. Kumawat	XEN (Rly)	9416477577		
Sh. Juneja	XEN N.H.	0129-2233921(R), 2232358 (o)		
Sh. R.K. Sharma	DFO (SF)	254568	254278, 9416285963	
Sh. Attar Singh Dhandra	DFO Jatusana	242058,	9416460018	
Sh. Verma	DFO M-garh	01285-220229, 9416063344		
Sh. Susheel Batra	D.E.O. (Edu.)	224159, 9896450154		
Sh. Jaswant Singh Yadav	DPEO		222340, 9416817034	
Sh. S.K. Gupta	LDM		223408, 9416817034	
Sh. Subhita Yadav	Principal DIET	202313, 202314, 9416214133		
Sh. Sarv Siksha		250290		
Sh. K.S. Ninaria	D.E.O. (Empl.)	224013	9416478137	
Sh. R.P. Dhiya	D.P.R.O.	223874, 09868893438,	9416709591, 0124-2305354	
Sh. Suraj Bhan	APRO	223874	220902, 9812036066	

				15
Sh. Partap Singh	D.D. (Agri)	222322		9416901456
Sh. Dharambir Singh	DHO		220289, 124-2315276, 9868413424	
Sh. Ram Narian	D.D. (A.H.)	225936-9416516129		
Sh. O.P. Yadav	SDO AH	225936, 9416214233, 260951		
Sh. D.V. Raghav	Sr. Manager,HSIDC Bawal.	264044, 260628, 0124-2580673, 9810830100		
Sh. Sukhdev Singh	Labour Office	221879, 9416753266, 172-514655, 9466115511		
Sh. R.C. Sharma	L.O. (P)		9.416E+09	
Smt. Madhu Sumita	D.T.P.		225155, 09810202413, 011-26891624	
Sh. Manoj yadav	DWO		221758, 220044, 9416478051	
Sh. Gyatri Devi Sharma	D.S.W.O.	222361, 171-2532333,		
Sh. Prem yadv	D.S.W.O.	223533, 9896886606, 9416894220		
Sh. B.D. Yadav	Distt. Atormey	222823,	260460, 9896023261, 9416330570	
Sh. Azad Singh	Mining Officer	225178, 9416246150, 9466280533		
Sh. Tiwari	DPDO		225211	
Sh. Sukhbir Singh	DIO	224494	261415, 9466080289	
Sh. Phool Lanwar	Distt. Sports Offi.	257349	Sushil 9215697789	
Sh. Satsih Yadav	Zila Parishad	222348, 9215562300, 9416064805, 254813		
Sh. B.S. Yadav	Distt. Statistical Offi.	222593		
Sh. S.D. Vidharthi	Distt. Try. Officer	224144, 9812382630		
Sh. C.D. Yadav	CEO, Fisheries	257743, 09810868644		
Sh. Satbir Singh	Fishries Officer	221010		
Sh.	DM Confed	223628, 9810590171		
Sh. D.K. Vasistha	D.M HAFED	257796, 9354224145, 9416704176, 254757, 255625 (R)		
Sh. Mangi Ram	DGM HAFED	09414717500, 9416492044		
Sh.	DM Ware Housing	222485		
Maj. R.K. Sharma	Secy. Z.S. Board	224341, 124-2340234, 09312797509, 986885709		
Sh. B.P. Sangwan	E.O./M/C. Rewari	222293, 222821, 9812116048		
Sh. T.R. Sharma	Secy.M.C. Rewari	01282-253005, 9416348811		
Sh. D.B. Sharma	M.E. M.C., Rewari	225263, 222821, 9812079463		
Sh. Jaipal Yadav	Secy. MC Bawal	260048, 9416479893		
Sh. Ajay Sikka	JE MC Rewari	225263, 254865, 9812002376, 9416330634		
Sh. Raj Kumar	Secy. Mkt. Commottee	223549, 225660, 9416130885		
Sh. B.S. Rao	Secy. Mkt. Kosli	9416426927	261154 PP	
Sh. Rajender Singh	Secy. Red Cross	224837, 221940, 225296, 941063634		
Sh. N.K. Kaushik	Coordinator, NYK	223802, 9414292708		
Sh. Inder Singh	MD Coop. Bank	254631	253781, 9416385629	
Sh. Sunder Singh	G.M. Coop. Bank	225339		
Sh. Satbir Sharma	DRCS	0124-2322226, 09818575109		
Sh. Balraj Singh Sewatch	ARCS Rwari	223446, 9416359368		
Sh. C.B. Singh	R.O. Polution Board	124-2332775, 09871509752		
Smt. Santosh Ailawadi	P.O. (ICDS)	223694	261789, 9812192787	

DISTRICT-MOHINDERGARH

OP' DIVISION DHBVN NARNAUL

Sr. No.	Administration Narnaul	Office	Resi.
1	Sh. M.P. Bansal, D.C	254000	251200
2	Sh. Hemant Kelson, S.P	251022	251122
3	Sh. P.C. Meena, SDM	251153	251152
4	Sh. Jagtar Singh, CTM	251206	251207
5	Sh. A.K. Bishnoi, ADC	251255	251086
6	Sh. P.C. Panwar, DSP	251273	251187
7	Sh. K.K. Malik President consumer court		
8	Sh. D.N. Yadav, DEO	261204	250811
9	Sh. Subhash Singh, Excutive Magistrate	251209	
10	Sh. Naresh Pankag, DD&PO	251298	252111
11	Sh. R.S Ahlawat, DRO	251209	251210
12	Capacitor Bank Detail	250803	251909
13	Sh. Jitender Aggarwal, DIO NIC	251322	
14	Sh. Bharat Singh Bishnoi, CMO	251237	251272
15	Sh. Satish Kumar, Chairman Zila Parisad	250423	250877
16	Sh. Babu Singh, Tehsildar	250090	250090
17	Sh. Naresh Kumar, Naib Tehsildar	250090	
18	Sh. Satyavir Singh , Distt. Attorney	251334	257208
19	Sh. Kailash Pardhan, LDM, PNB	251968	
20	Sh. Raj Singh Kadian , DPRO	251286	

	Judicial		
1	Sh. M.P. Mehandirata, D&SJ, NNL	251222	251555
2	Sh. R.S. Bagri ADJ NNL	251370	251340
3	Sh. Krishan Kumar , CJ(SD) NNL	156155	256144
4	Sh. Mewa Singh , CJM NNL	252132	251232
5	Sh. Ishwar Dutt sharma , ACJ(SD) NNL	253899	253933
6	Sh. C.R. Yadav , SJM NNL		1.274E+09
7	Sh. D.N. Bhardwad, ACJ (SD) M/garh	220541	221363
8	Sh. Basruding, CJ (JD) M/garh	220875	221028

	BD & PO		
1	Sh. Narender Kumar, BDPO NNL	251205	251205
2	Sh. R.K. Sharma , BDPO Ateli	276552	276552
3	Sh. Deepak Yadav BDPO M/Garh	220249	220249
4	Sh. Dharmbir , BDPO Kanina	235135	235135

	PWD B&R NNL		
1	Sh. S.S. Panwar , Xen NNL	251267	251071
2	Sh. F.C Garg, SDO	251267	

	Public Health Narnaul		
1	Sh. Umesh Bhardwaj Xen	251259	254054
2	Sh. R.S. Gupta , SDO	251259	
3	Sh. Rana , SDO	251259	

	Administration M/garh		
1	Sh. S.K. Chahal, SDO (C)	220228	220282
2	Sh. M.S Bhatti , DSP M/garh	220238	220301
3	Sh. O.P Godara , Tehsildar	220226	221867

1	Fire Service	101
		252102

	Hospitals	
1	Ambulance service General	102
		251236
	Ateli	276610
	M/Garh	220292
	Kanina	235112

	Blood Banks	
	Civil Hospital Narnaul	251236
	Civil Hospital Rewari	254793

	Railway	
1	Narnaul	251965
	Enquiry Narnaul	131
	Mandi Ateli	276931
	M/Garh	220252
	Kanina	235131

	Bus Stand	
1	Enquiry Narnaul	251947
2	Rewari	256751

	Gas Agency Narnaul	
1	HP Gas Agency Narnaul	251963
2	Bharat Agency Narnaul	250294

1	Municipal Committee Narnaul	251248
2	Municipal Committee M/Garh	220234

	Miscellaneous	
1	Secy. Red Cross	251386
2	Secy. Market Committee	250242
3	Secy. Municipality	251248
4	Treasury officer	251240
5	DPRO	251286
6	DSWO	250378
7	Distt. Statistical officer	251235
8	POICDS	252331
9	Income tax office NNL	251282
10	GM HR Roadways NNL	250803
11	DTO NNL	255107
12	D.F.S.C	251249
13	DETC	251228
14	GM DIC	251395
15	Distt. Employ. Officer	250350
16	Distt. Sports Officer (pp)	251942
17	DWO	250271
18	DCWO	250208
19	Backward class Nigam	250345
20	Harijan Kalyan Nigam	250253

21	DM Women deve. Coop.	250346
22	D.D Agriculture	251955
23	DD (AH)	250221
24	A.A.E	251955
25	Chairman HML	250230
26	Secy. HML	250230
27	HFC	250270
28	ARCS	250292
29	HR Small industries	250319
30	HAFED	251216
31	Distt. K&V industries	250357
32	D.M Confed	250376
33	TV Tower	250337
34	Nehru Yuva Kendra	251864

	Defence	
1	Secy. DSS Board	250259
2	Defence Canteen	251763
3	Commandent Home guard	250229
4	Commandent NCC	251823

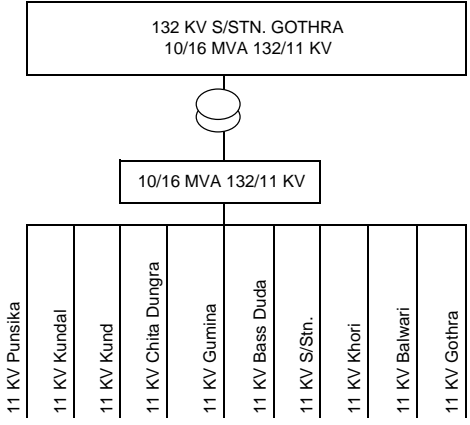
	Post office	
1	Head Post office	250310

	Bank	
1	PNB NNL	251931, 255314
2	Coop Bank NNL	250373
3	PNB near DC resi.	251938
4	SBP (main) NNL	252307
5	Sh. SK Viyas (DD new)	
6	Azad Singh (Amar Ujala)	253262
7	SHO Dharuhera	242328
	Police	
1	SHO Bawal	260098
2	SHO Kasola Chowk	222643
3	SHO Khol	230034
4	SDO T/Phone Dharuhera	242777
5	SDO T/Phone Bawal	261000
6	Tehsildar Bawal	260038
7	Municipal Committee	260164
8	Sarpanch Gram Panchayat Dharuhera	9416575110
9	Medical Officer Bawal	260164
10	Civil Hospital Dharuhera	242575
11	SDO HSIDC Bawal	264404

Name	Designation	Office	Res.
Sh. Suresh Chahal	SDM Mohindergarh	01285-220827	
	Civil Judged	01285-220875	01285-221028
	Addl. Civil Judge	01285-220541	01285-221363
	Tehsildar Mohindergarh	01285-220226	
	SHO Sadar Police Station M/Garh	01285-220225	
	SHO City M/Garh Police Station	01285-220240	
	C/A Staff Mohindergarh		
	D.S.P. Police M/Garh	01285-220238	220301
	Jail Mohindergarh	01285-220217	
	SHO Kanina	01285-235136	
	SHO Satnali	01285-231428	
Name	Designation	Office	Res.
JUDICIARY			
	Capacitor Bank Detail	01285-220875	221028
	Addl. Civil Judge	01285-220541	221363
H.C.S.			
	SDM Mohindergarh	01285-220228	
REVENUE DEPARTMENT			
	Tehsildar	01285-220223	
BLOCK DEVELOPMENT DEPARTMENT			
	BDPO Mohindergarh	01285-220249	
	CDPO Mohindergarh	01285-222964	
	BDPO Kanina	01282-235135	
	DFO Mohindergarh	01285-220229	
	RFO Mohindergarh		
TELECOM DEPARTMENT			
	SDO Tel. Mohindergarh		221000
	JTO Tel. Mohindergarh		221320
	Telephone Enquire		220220
HARYANA AGRICULTURE UNIVERSITY			
	Haffed	01285-220262	
GURU JAMBHESHWAR UNIVERSITY			
HEAD OF DEPARTMENTS			
	CSD Mohindergarh	01285-220389	
	S.Sec. School	01285-221860	
	ITI Mohindergarh	01285-220242	
	Collage Boy	01285-220246	
	Women Collage	01285-220547	
	Gas Agency	01285-220450	
	SMO	01285-220292	
	DIET Mohindergarh	01285-220738	
	SBI Bank Mohindergarh	01285-220253	
	SBP Bank Mohindergarh	01285-220237	
	SBP Satnali	01285-231431	
	PNB Bank	01285-220328	

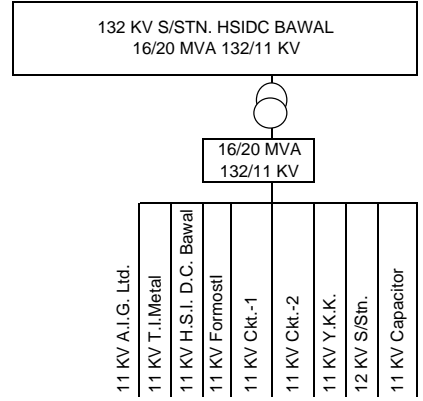
**SCHEMATIC DIAGRAM OF
132 KV S/STN. GOTHRA**

SUPPLY FROM 220 KV REWARI via BUROLI



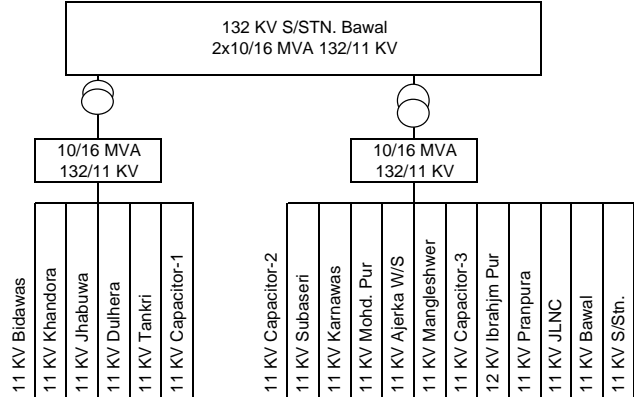
**SCHEMATIC DIAGRAM OF
132 KV S/STN. HSIDC BAWAL**

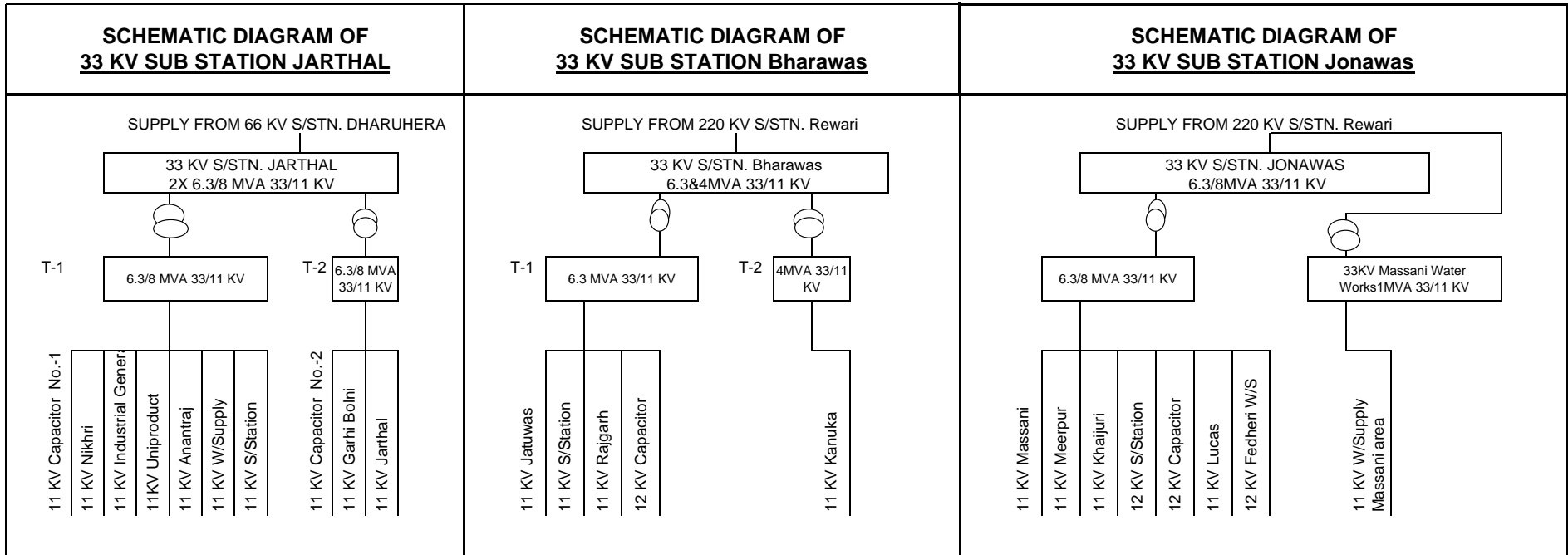
SUPPLY FROM 220 KV REWARI



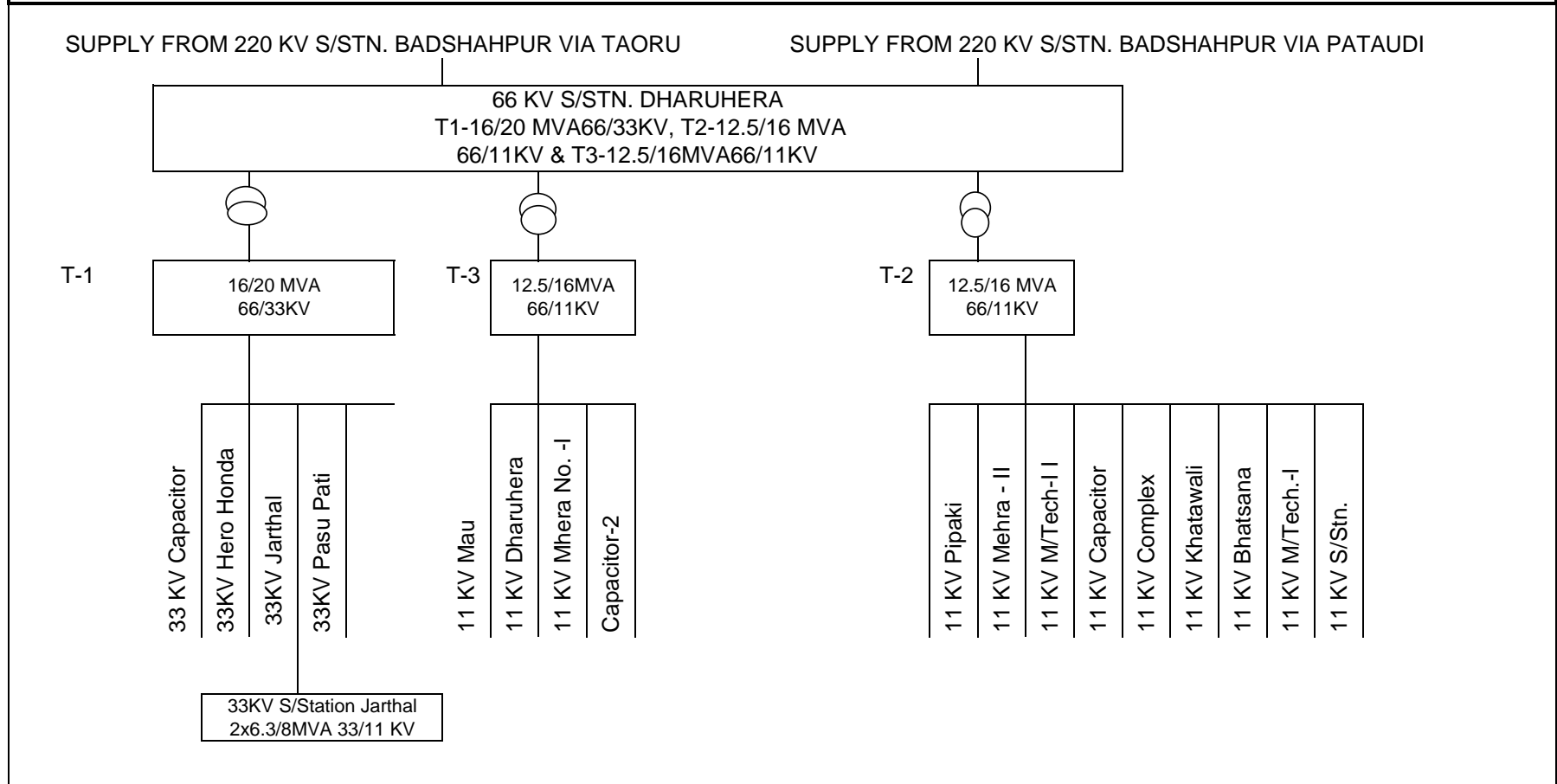
**SCHEMATIC DIAGRAM OF
132 KV S/STN. BAWAL**

SUPPLY FROM 220 KV REWARI via HSIDC BAWAL

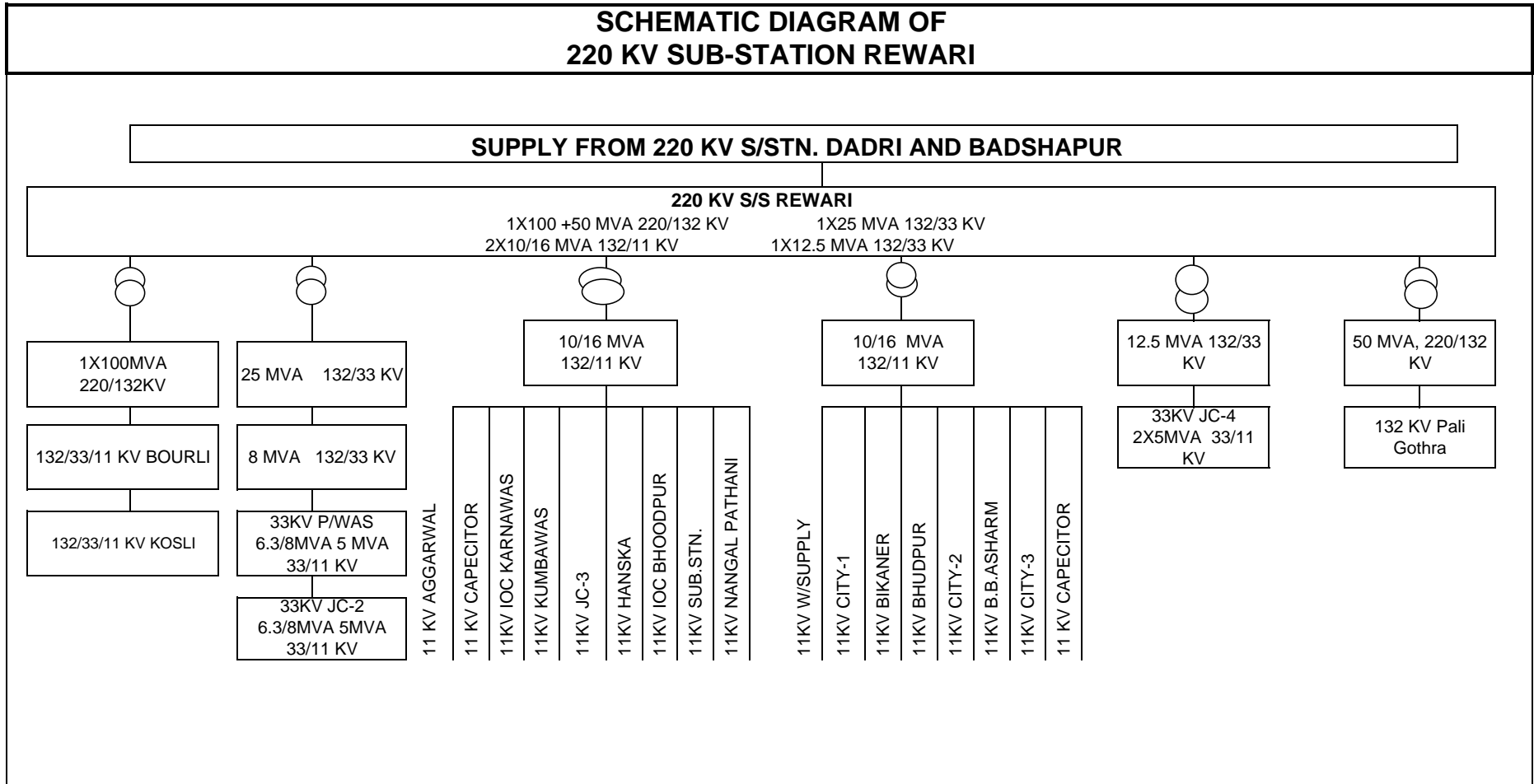


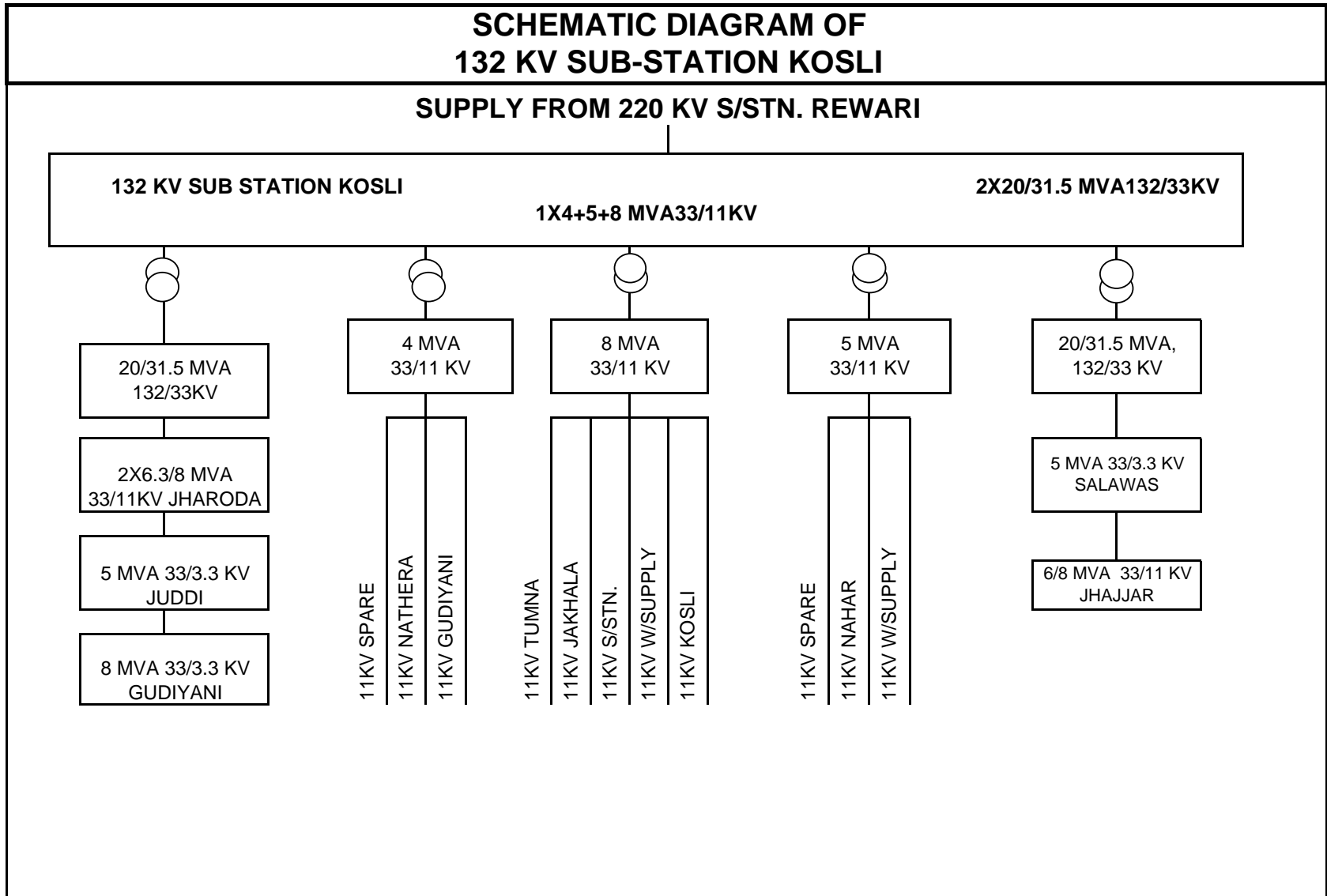


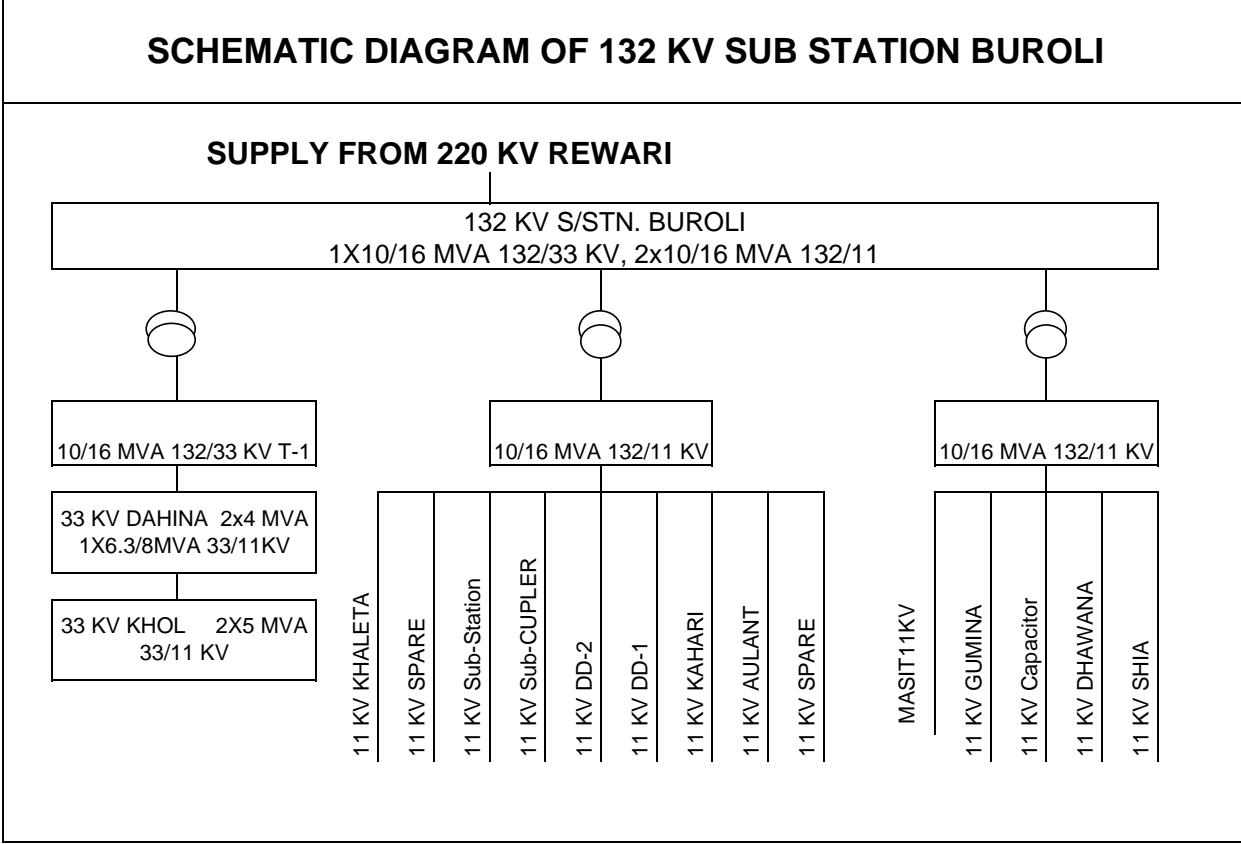
SCHEMATIC DIAGRAM OF 66 KV SUB STATION DHARUHERA



SCHEMATIC DIAGRAM OF 220 KV SUB-STATION REWARI

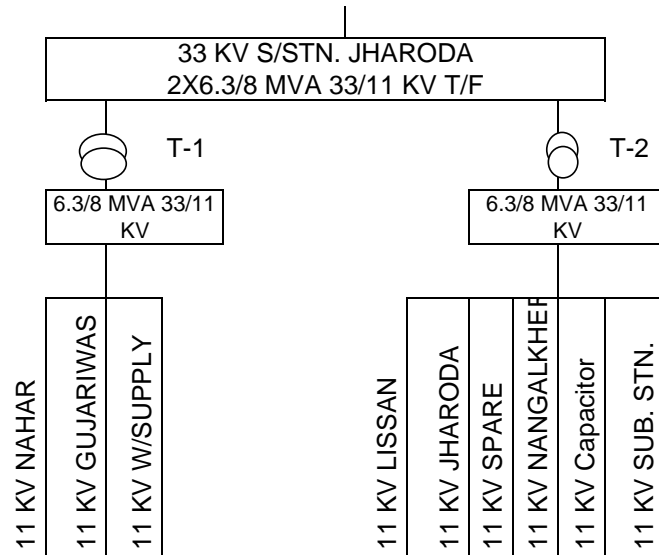






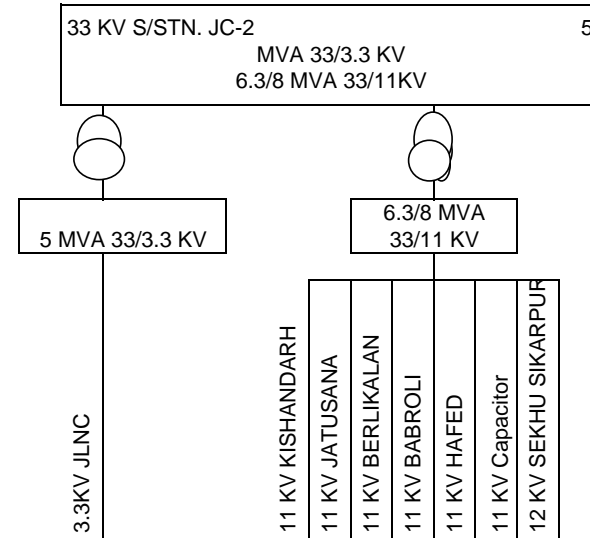
SCHEMATIC DIAGRAM OF 33 KV S/STN. JHARODA

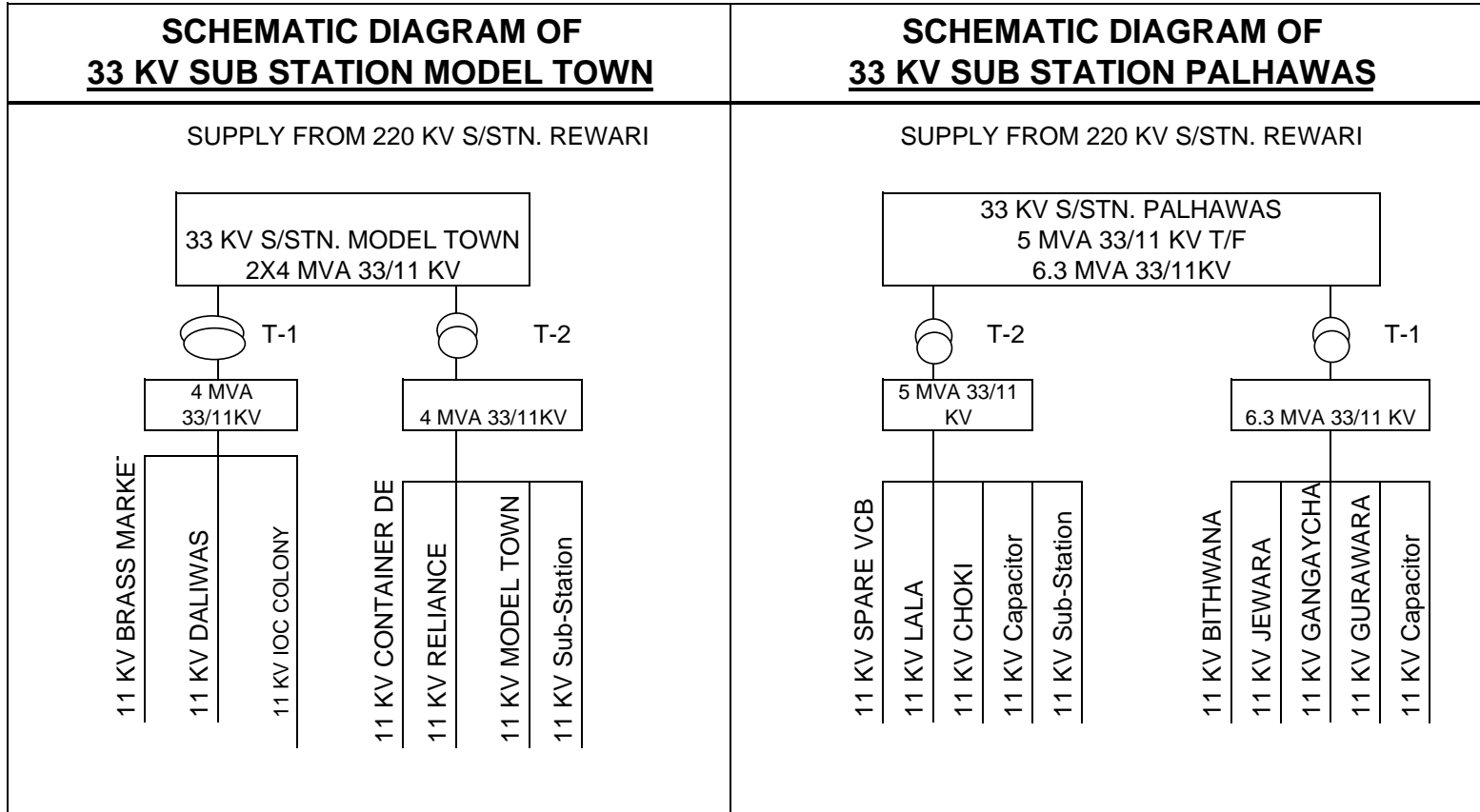
SUPPLY FROM 132 KV S/STN. KOSLI

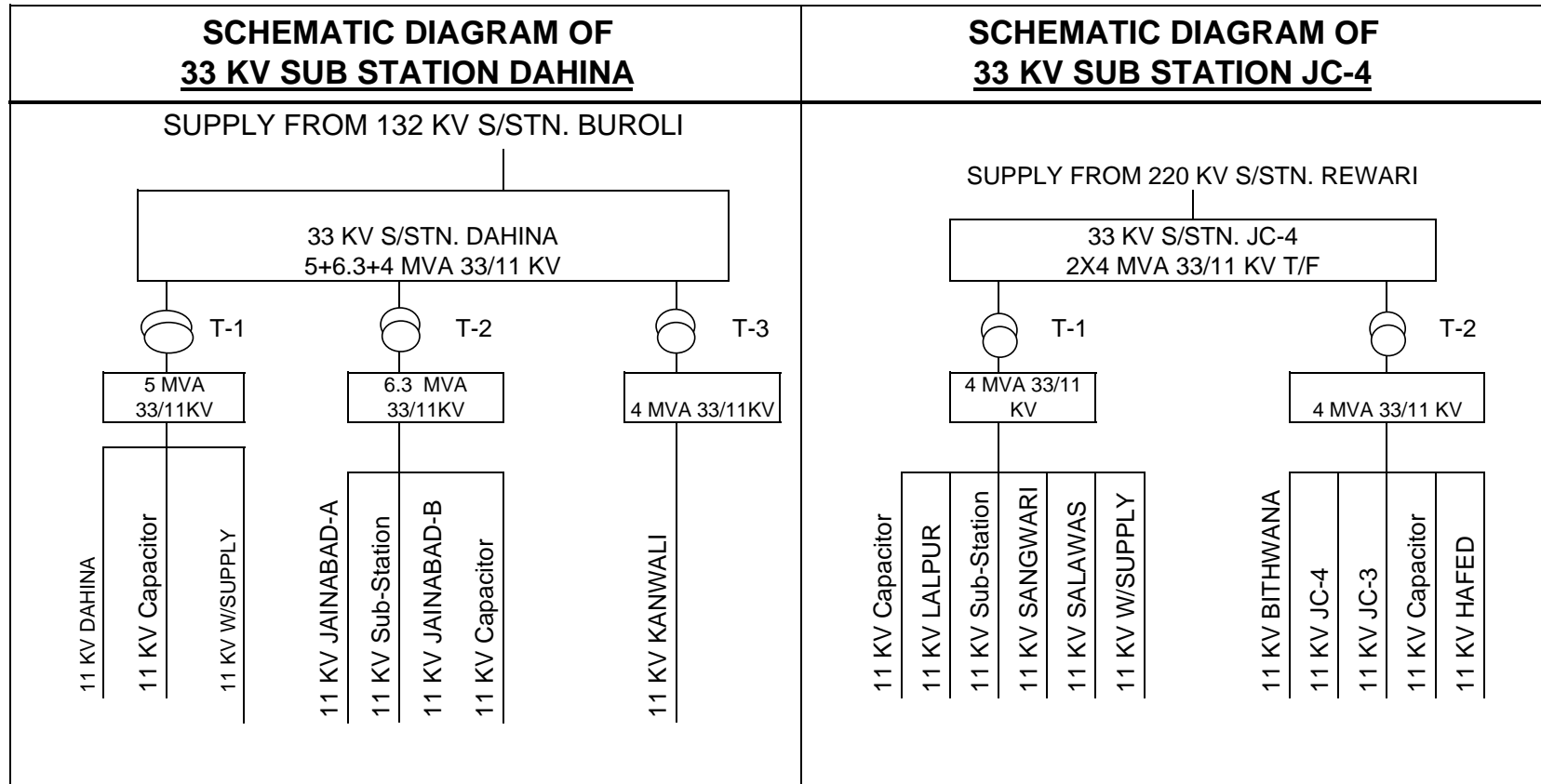


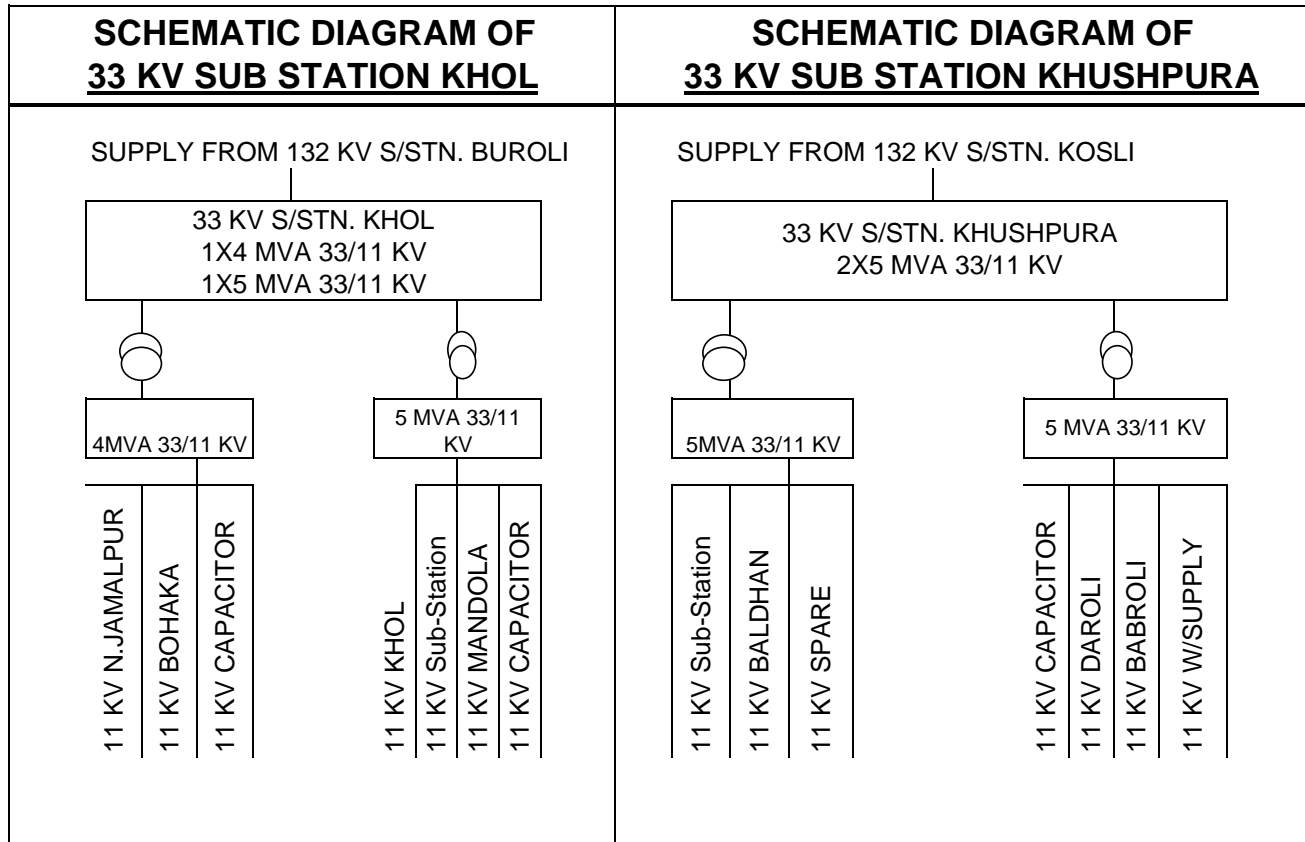
SCHEMATIC DIAGRAM OF 33 KV S/STN. JC-2

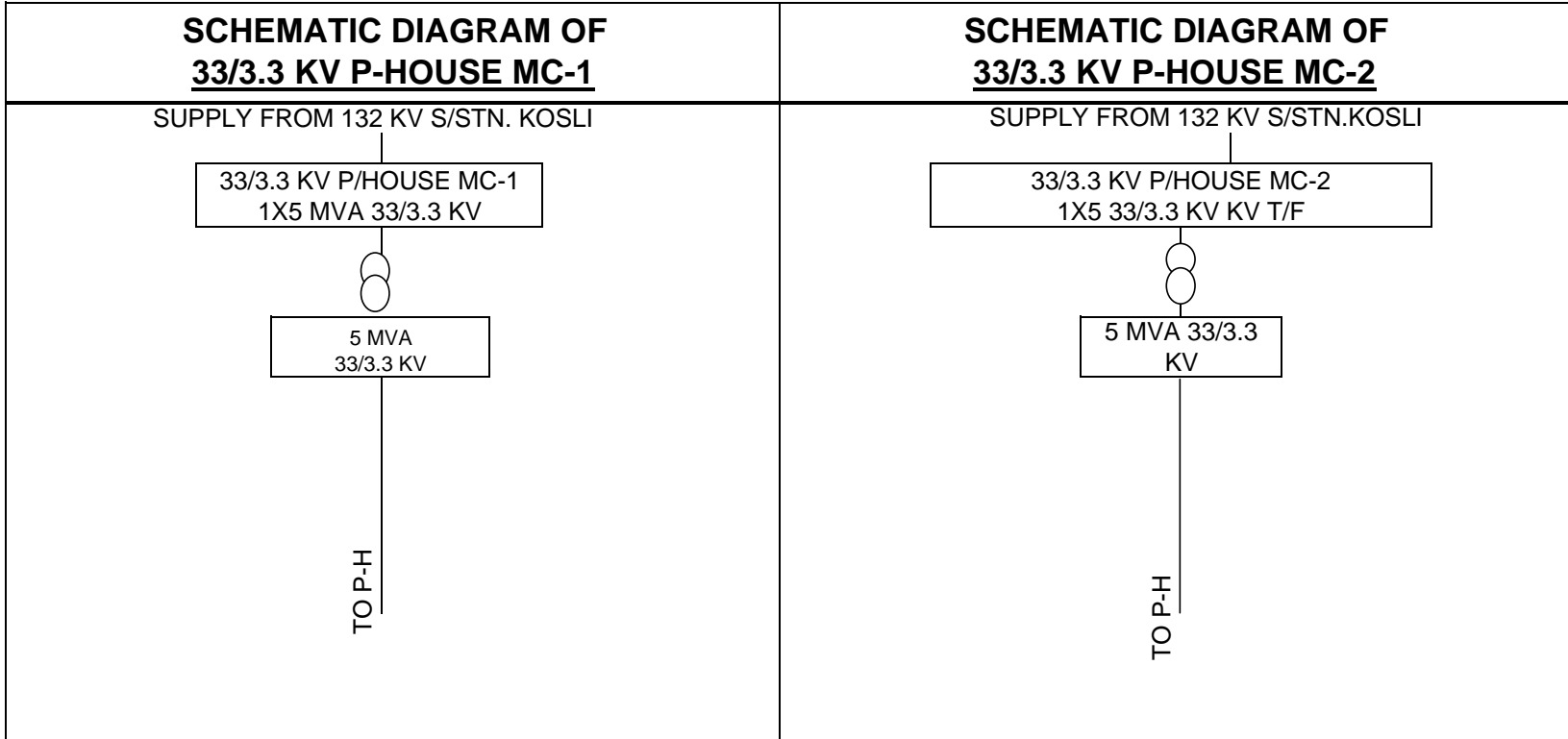
SUPPLY FROM 220 KV REWARI

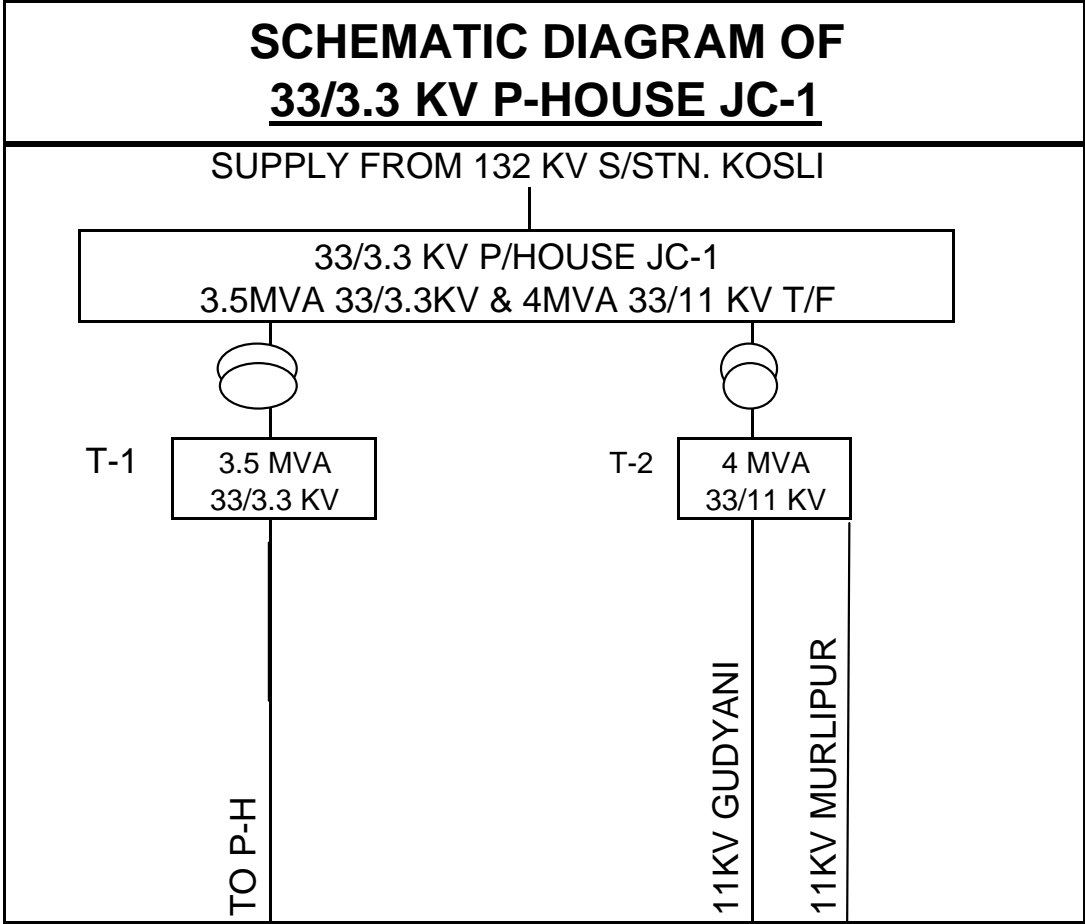












**SCHEMATIC DIAGRAM OF
33KV S/STN. BISOWA**

SUPPLY FROM 132 KV S/STN. KOSLI

33 KV S/STN. BISOWA
5MVA 33/11KV KV KV T/F



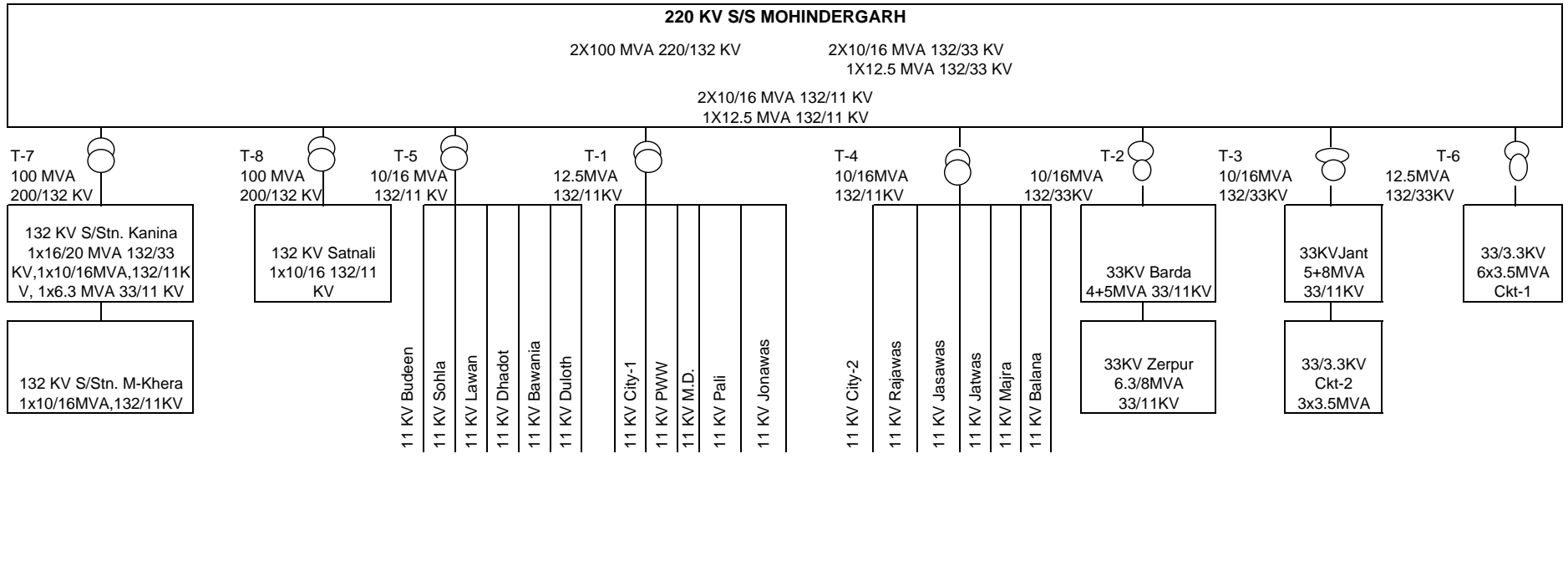
5 MVA 33/11
KV

11KV BISOWA

11KV MUMTAJPUR

SCHEMATIC DIAGRAM OF 220 KV SUB-STATION MOHINDERGARH

SUPPLY FROM 220 KV BBMB,CHARKHI DADRI

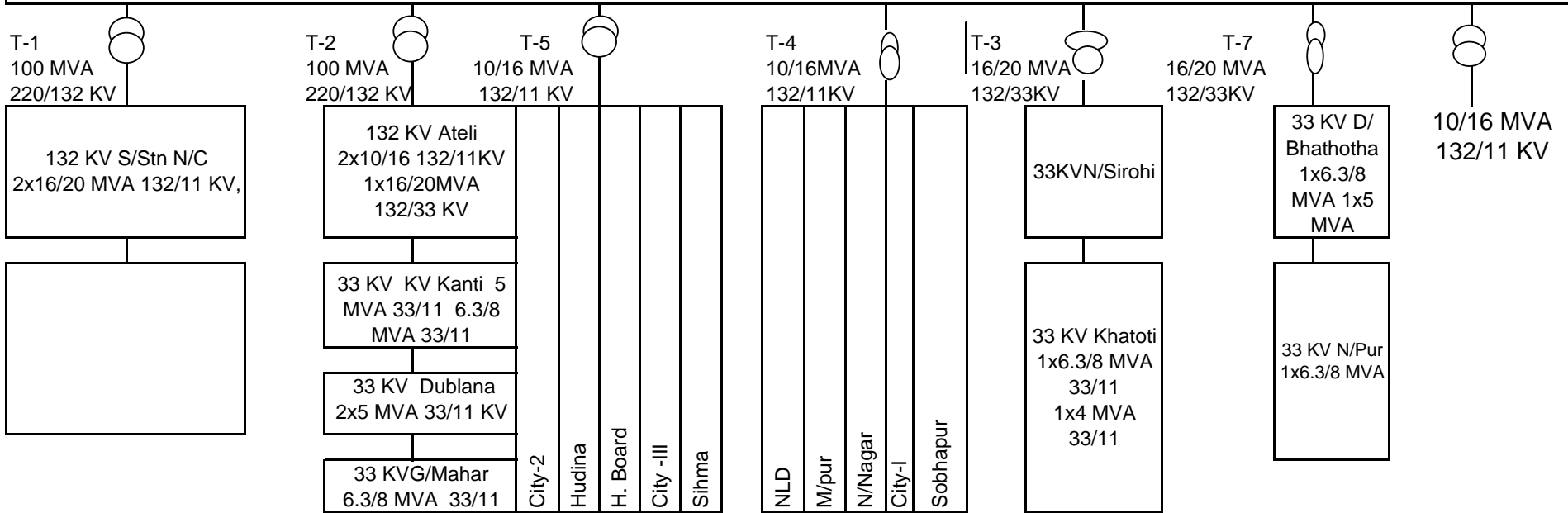


SCHEMATIC DIAGRAM OF 220 KV SUB-STATION Narnaul

SUPPLY FROM 220 KV BBMB,CHARKHI DADRI

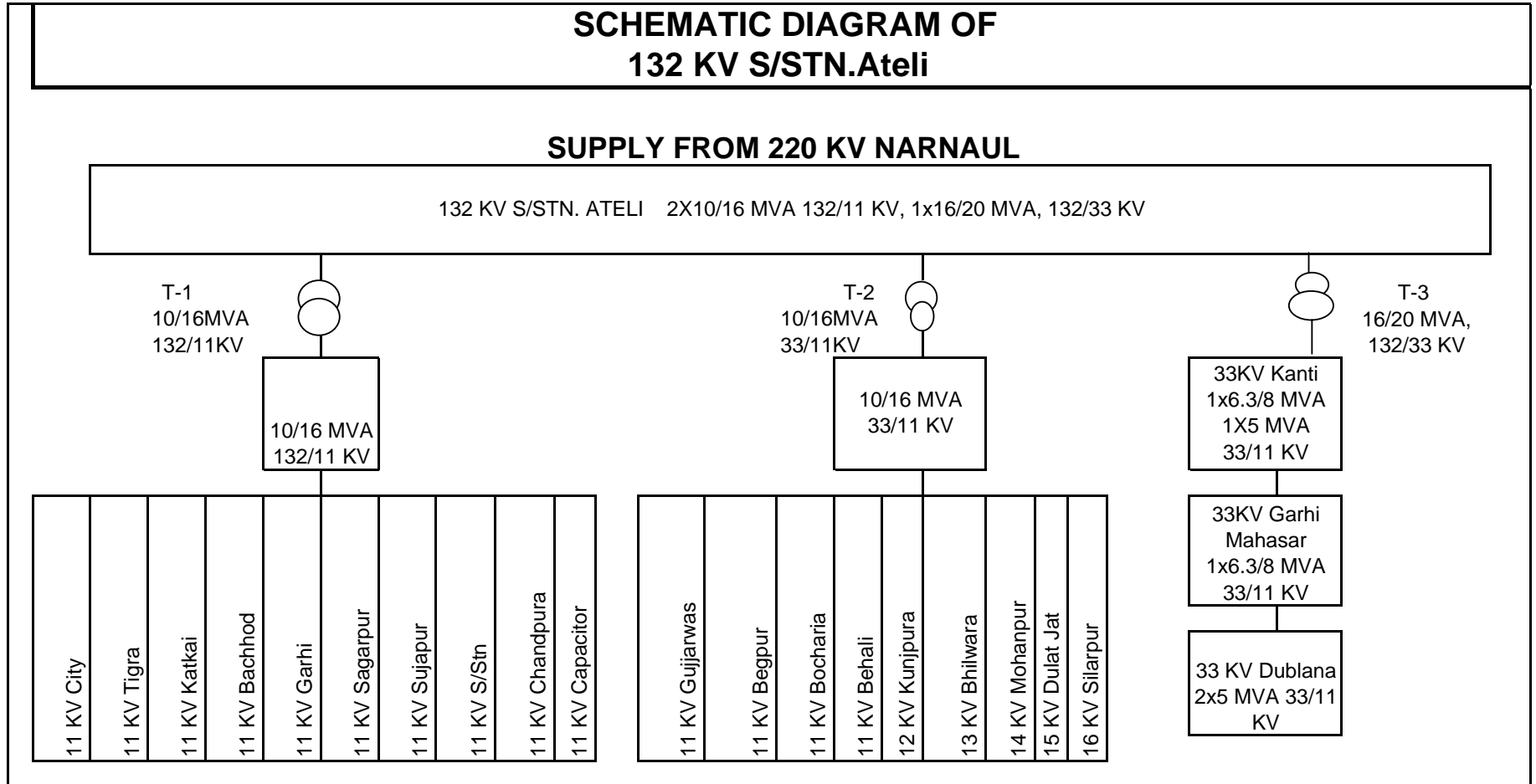
220 KV S/S NARNAUL

2X100 MVA 220/132 KV 2X16/20 MVA 132/33 KV
3X10/16 MVA 132/11 KV



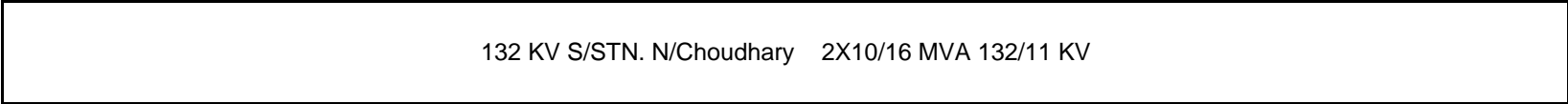
SCHEMATIC DIAGRAM OF 132 KV S/STN.Ateli

SUPPLY FROM 220 KV NARNAUL

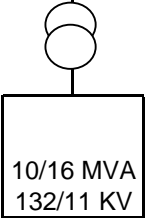


SCHEMATIC DIAGRAM OF 132 KV S/STN. N/Choudhary

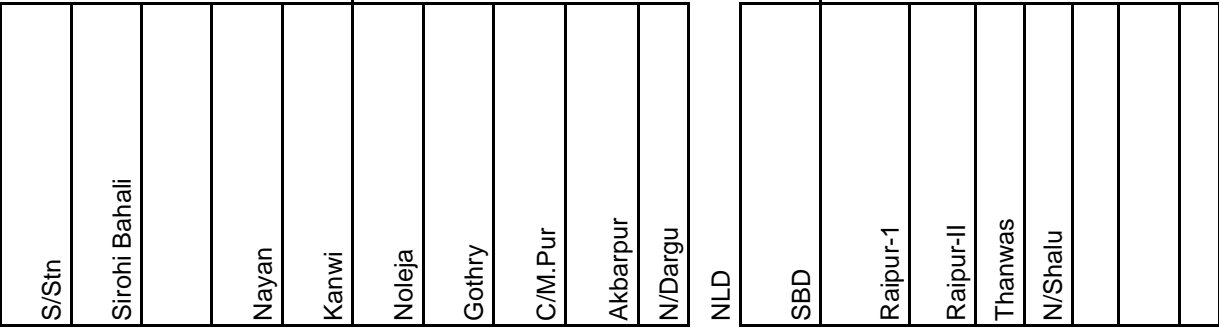
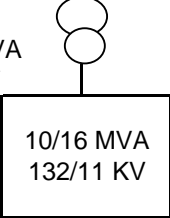
SUPPLY FROM 220 KV NARNAUL



T-1
10/16MVA
132/11KV

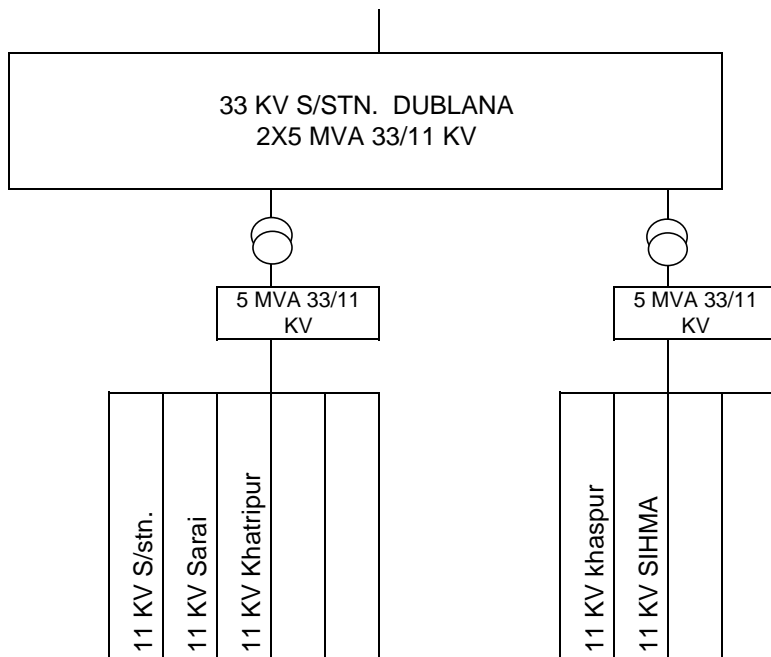


T-2
10/16MVA
33/11KV



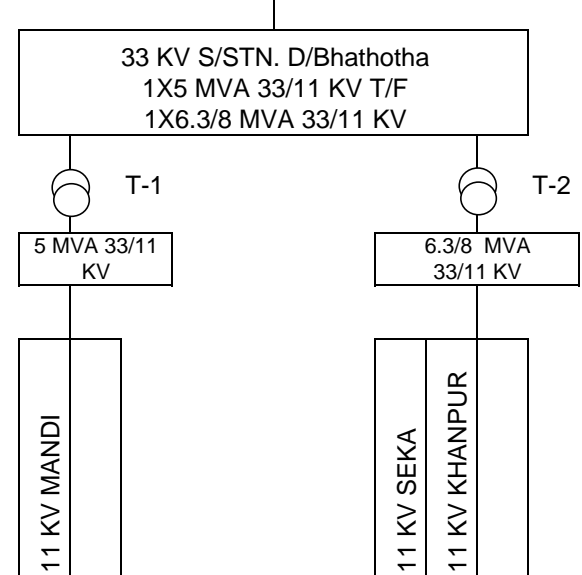
**SCHEMATIC DIAGRAM OF
33 KV SUB STATION DUBLANA**

SUPPLY FROM 132 KV S/STN. ATELI

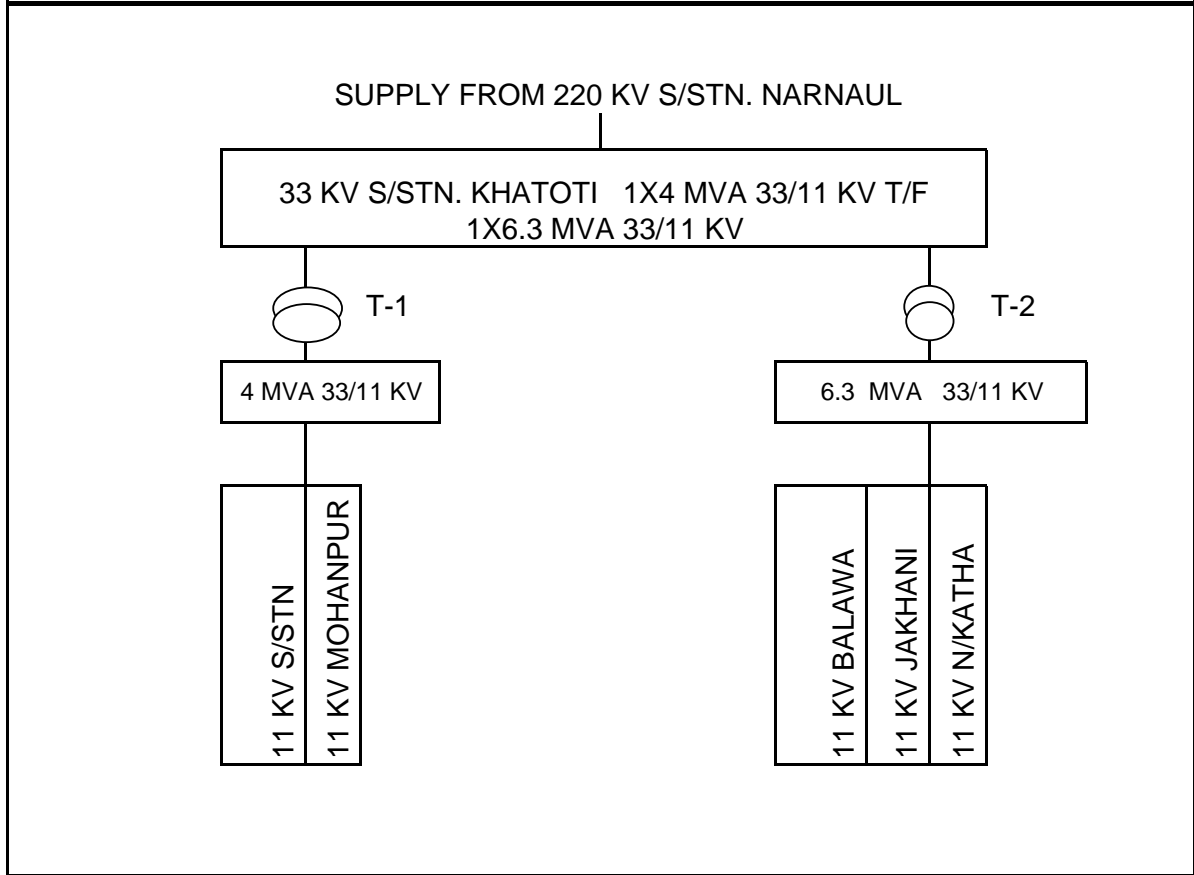


**SCHEMATIC DIAGRAM OF
33 KV SUB STATION D/Bhathotha**

SUPPLY FROM 220 KV S/STN. NARNAUL

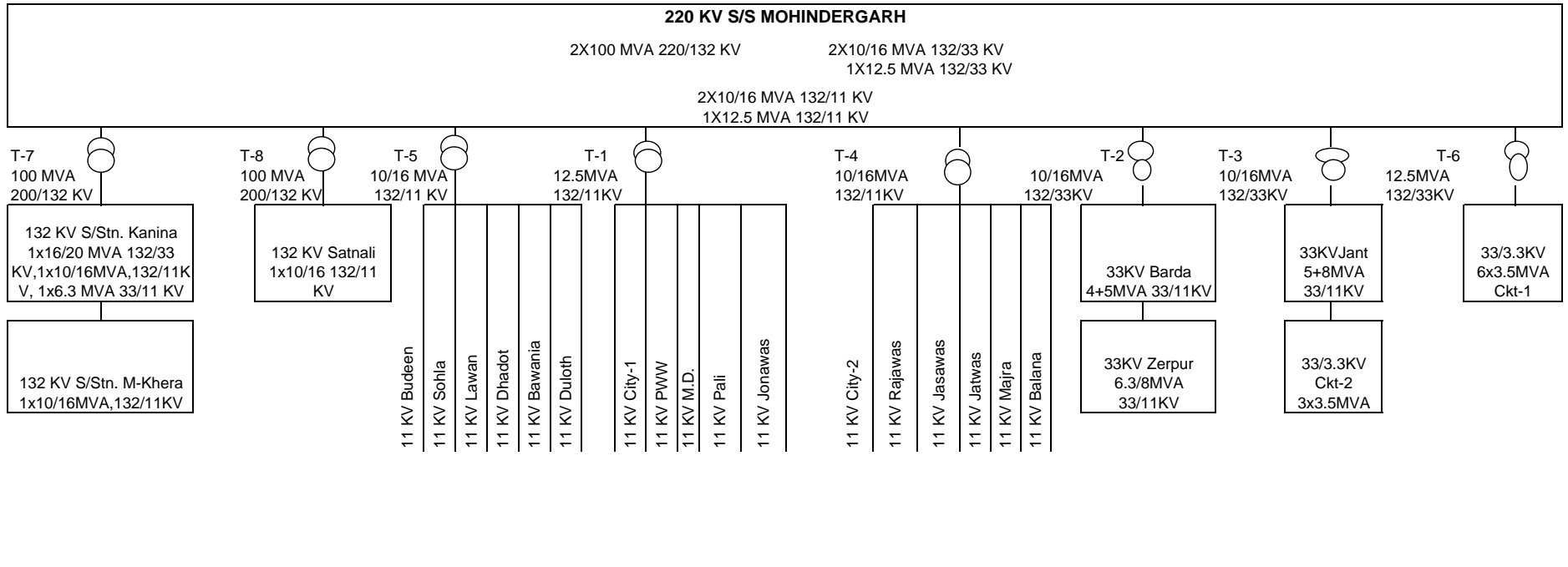


SCHEMATIC DIAGRAM OF 33 KV SUB STATION KHTOTI KHURD



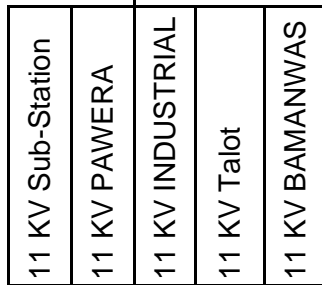
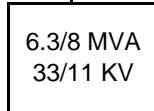
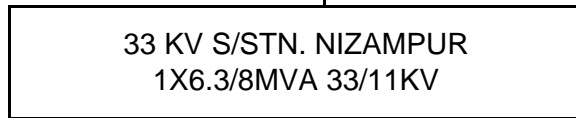
SCHEMATIC DIAGRAM OF 220 KV SUB-STATION MOHINDERGARH

SUPPLY FROM 220 KV BBMB,CHARKHI DADRI



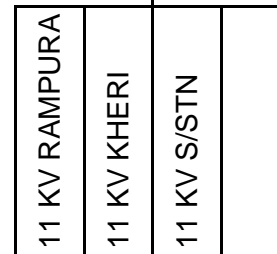
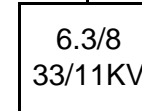
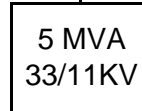
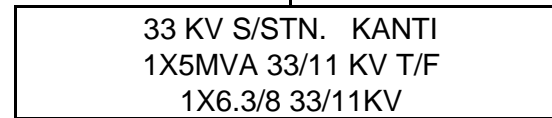
**SCHEMATIC DIAGRAM OF
33 KV SUB STATION NIZAMPUR**

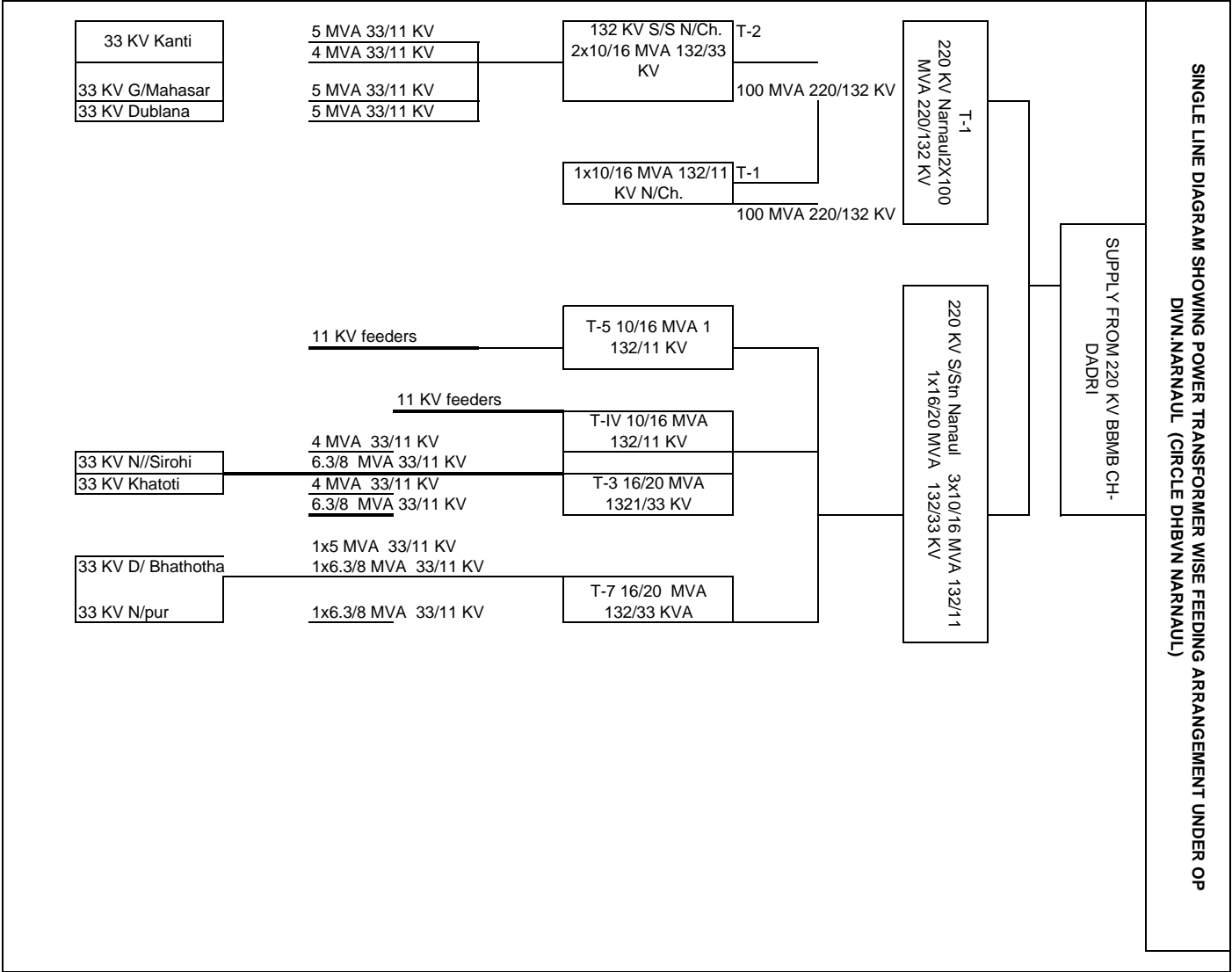
SUPPLY FROM 220 KV S/STN. NARNAUL

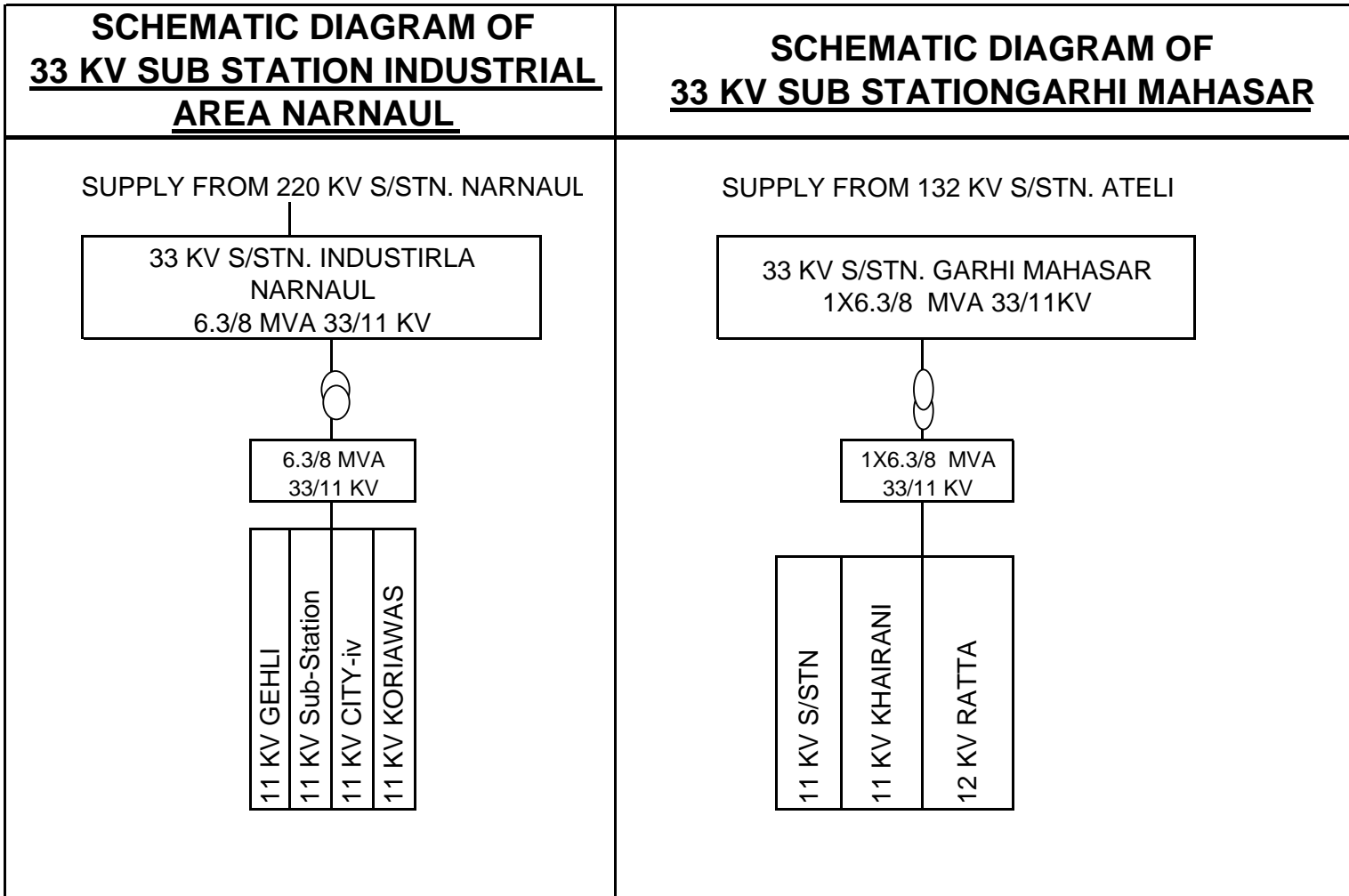


**SCHEMATIC DIAGRAM OF
33 KV SUB STATION KANTI**

SUPPLY FROM 132 KV S/STN. ATELI

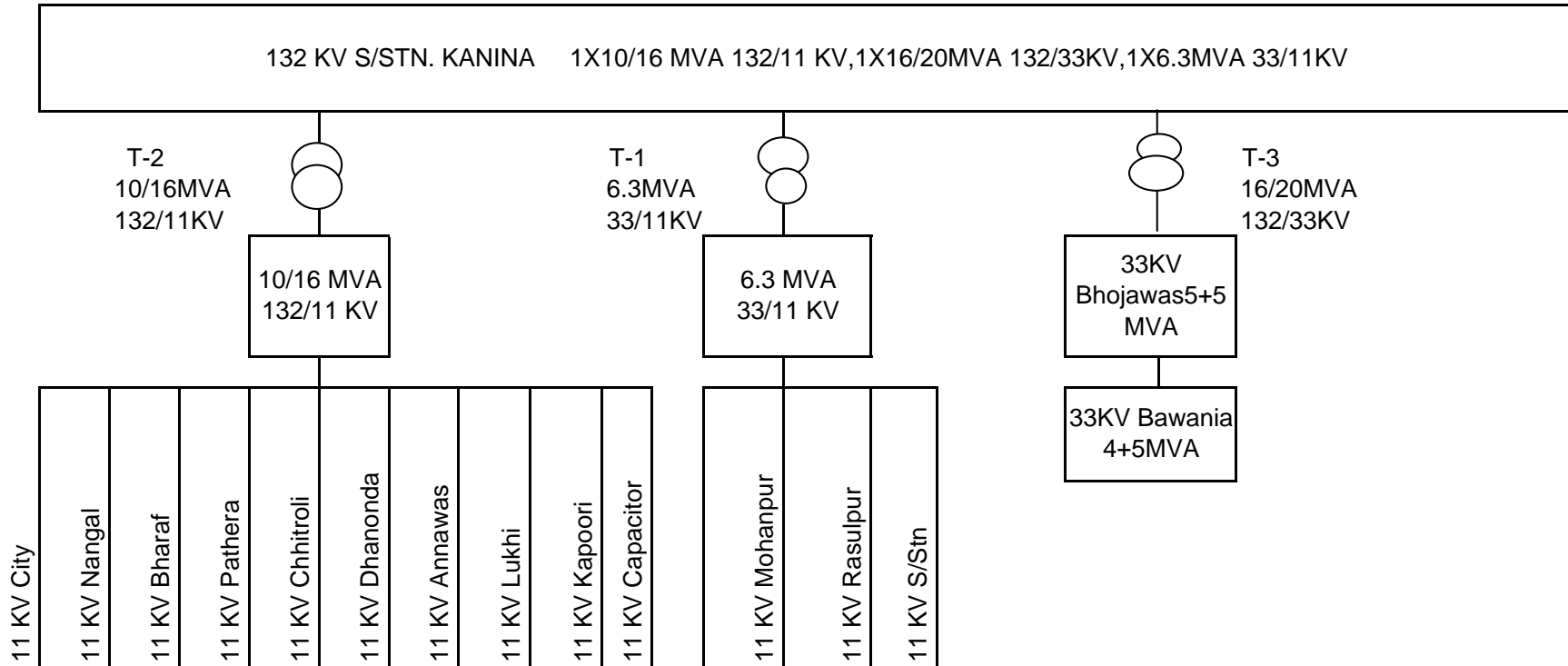






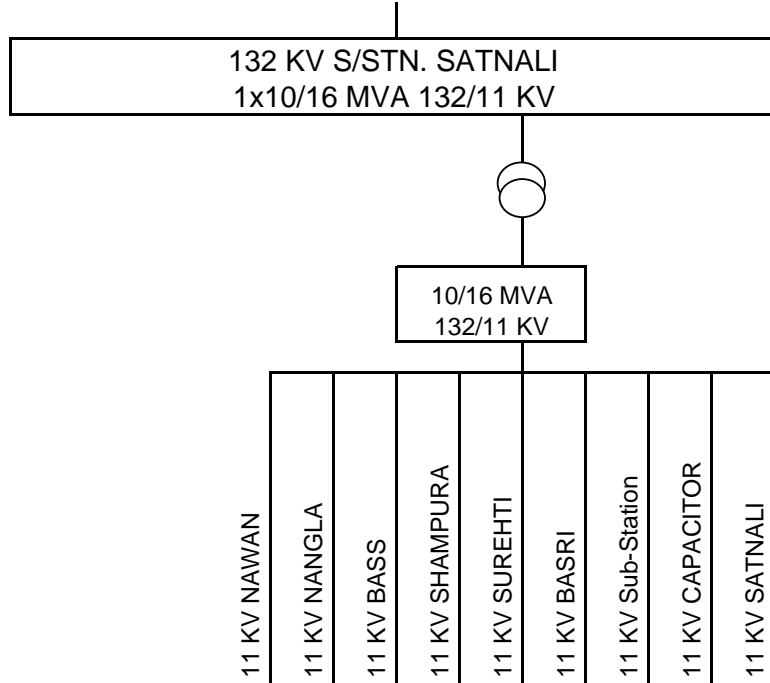
SCHEMATIC DIAGRAM OF 132 KV S/STN. KANINA

SUPPLY FROM 220 KV MOHINDERGARH



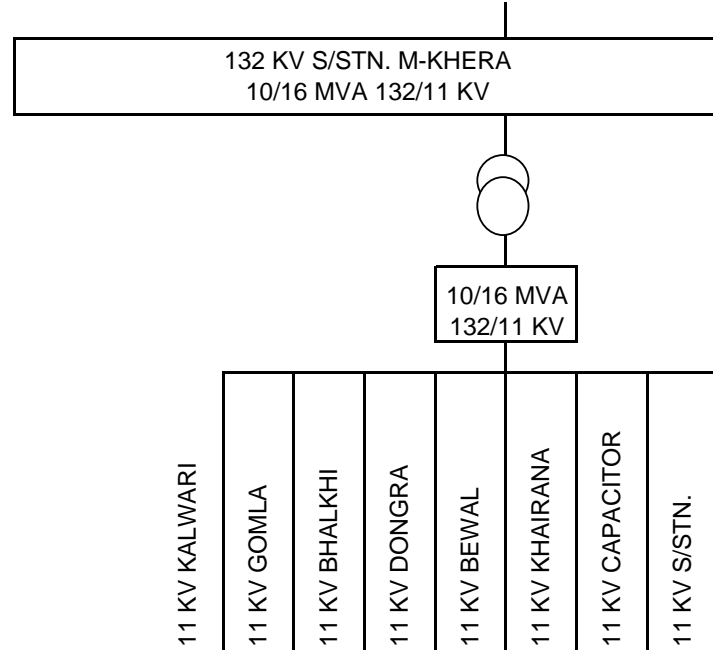
**SCHEMATIC DIAGRAM OF
132 KV SUB STATION SATNALI**

SUPPLY FROM 220 KV MOHINDERGARH



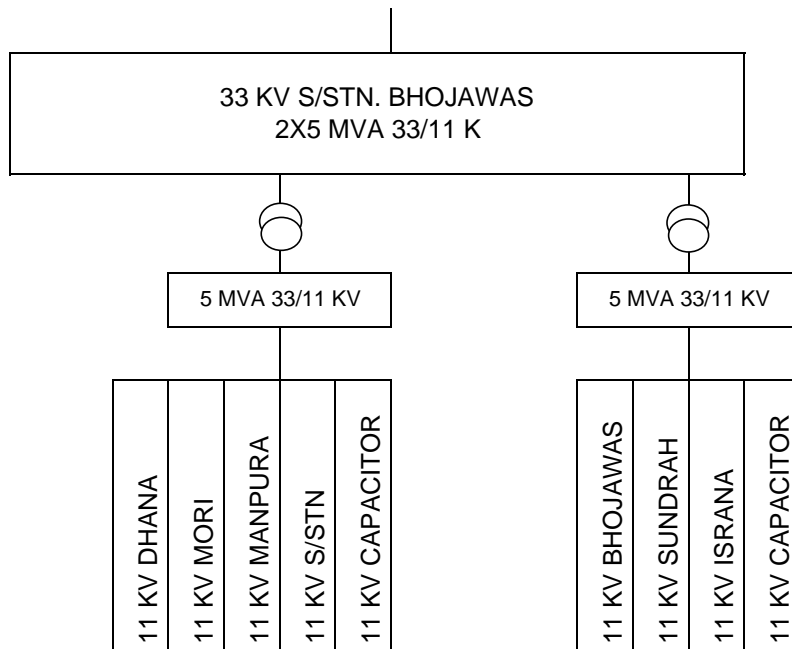
**SCHEMATIC DIAGRAM OF 132 KV S/STN.
MUNDIA-KHERA**

SUPPLY FROM 220 KV MOHINDERGARH



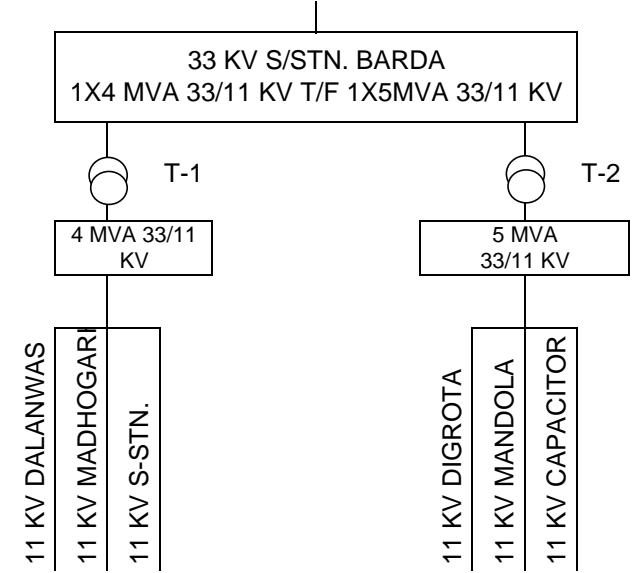
**SCHEMATIC DIAGRAM OF
33 KV SUB STATION BHOJAWAS**

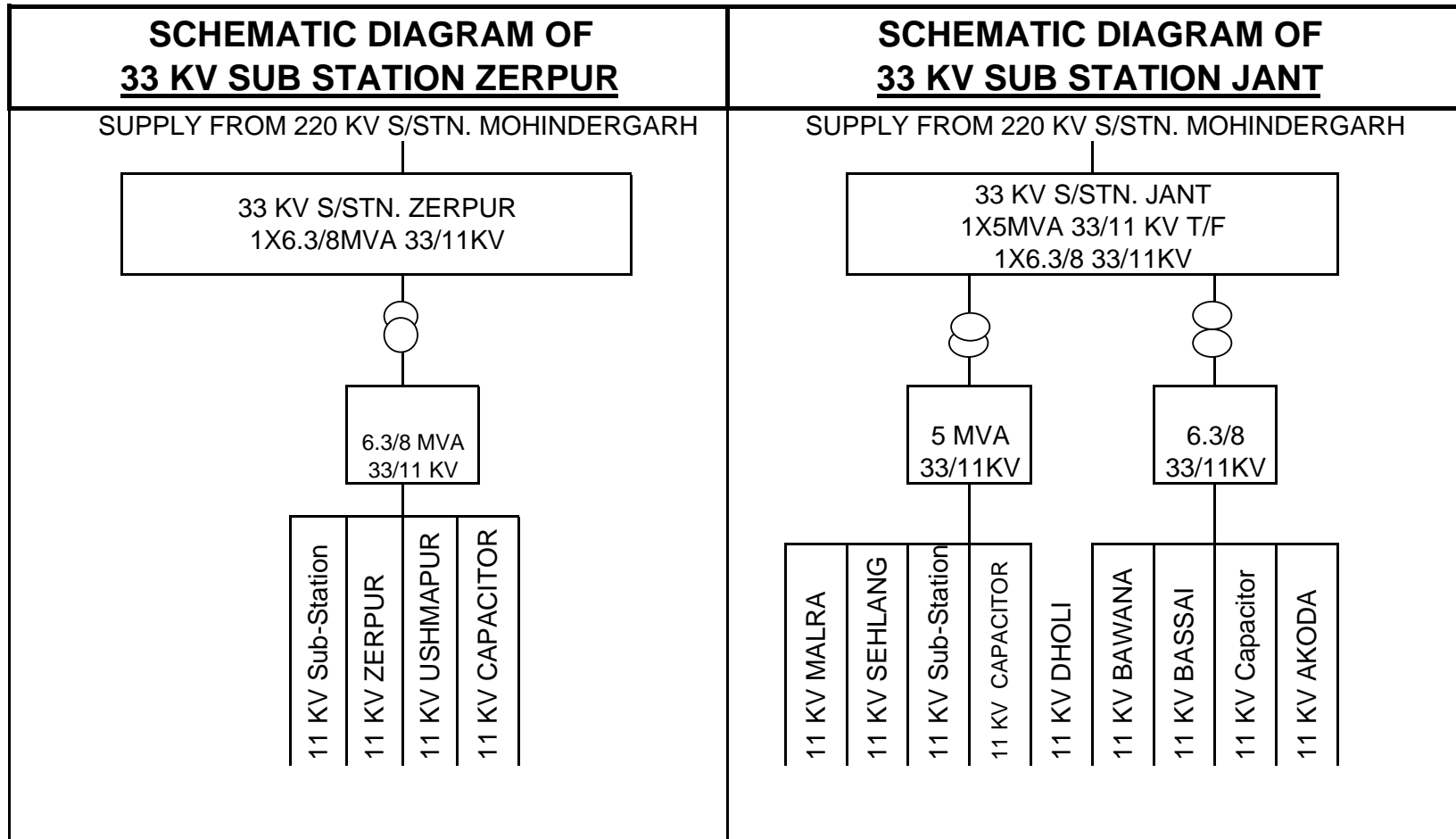
SUPPLY FROM 132 KV S/STN. KANINA



**SCHEMATIC DIAGRAM OF
33 KV SUB STATION BARDA**

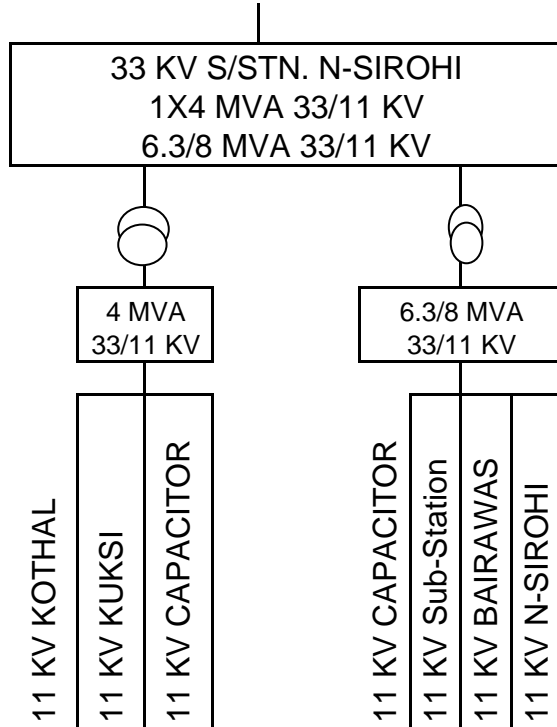
SUPPLY FROM 220 KV S/STN. MOHINDERGARH





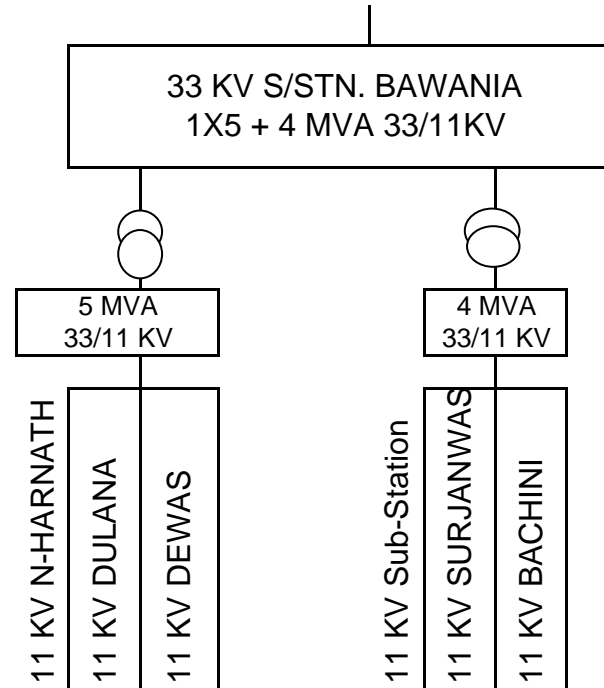
**SCHEMATIC DIAGRAM OF
33 KV SUB STATION N-SIROHI**

SUPPLY FROM 220 KV S/STN. NARNAUL



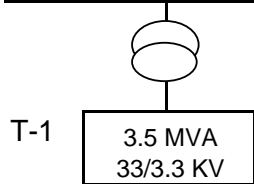
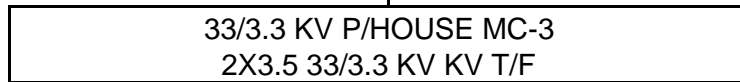
**SCHEMATIC DIAGRAM OF
33 KV SUB STATION BAWANIA**

SUPPLY FROM 132 KV S/STN. KANINA

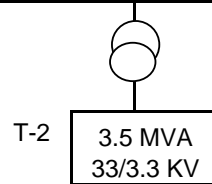


**SCHEMATIC DIAGRAM OF
33/3.3 KV P-HOUSE MC-3**

SUPPLY FROM 220 KV S/STN. MOHINDERGARH



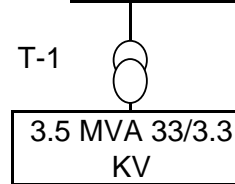
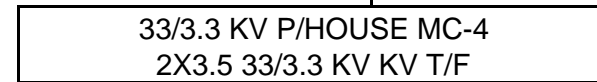
TO P-H



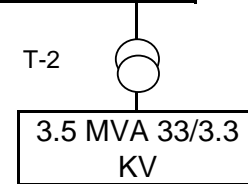
TO P-H

**SCHEMATIC DIAGRAM OF
33/3.3 KV P-HOUSE MC-4**

SUPPLY FROM 220 KV S/STN. MOHINDERGARH



TO P-H

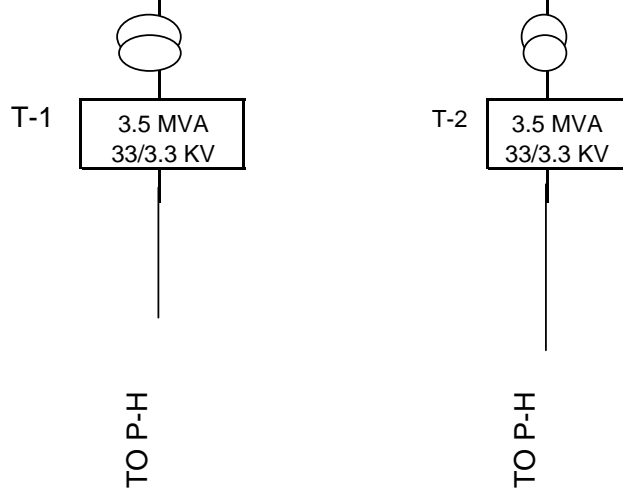


TO P-H

**SCHEMATIC DIAGRAM OF
33/3.3 KV P-HOUSE MC-5**

SUPPLY FROM 220 KV S/STN. MOHINDERGARH

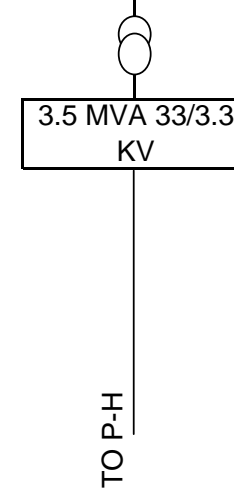
33/3.3 KV P/HOUSE MC-5
2X3.5 33/3.3 KV

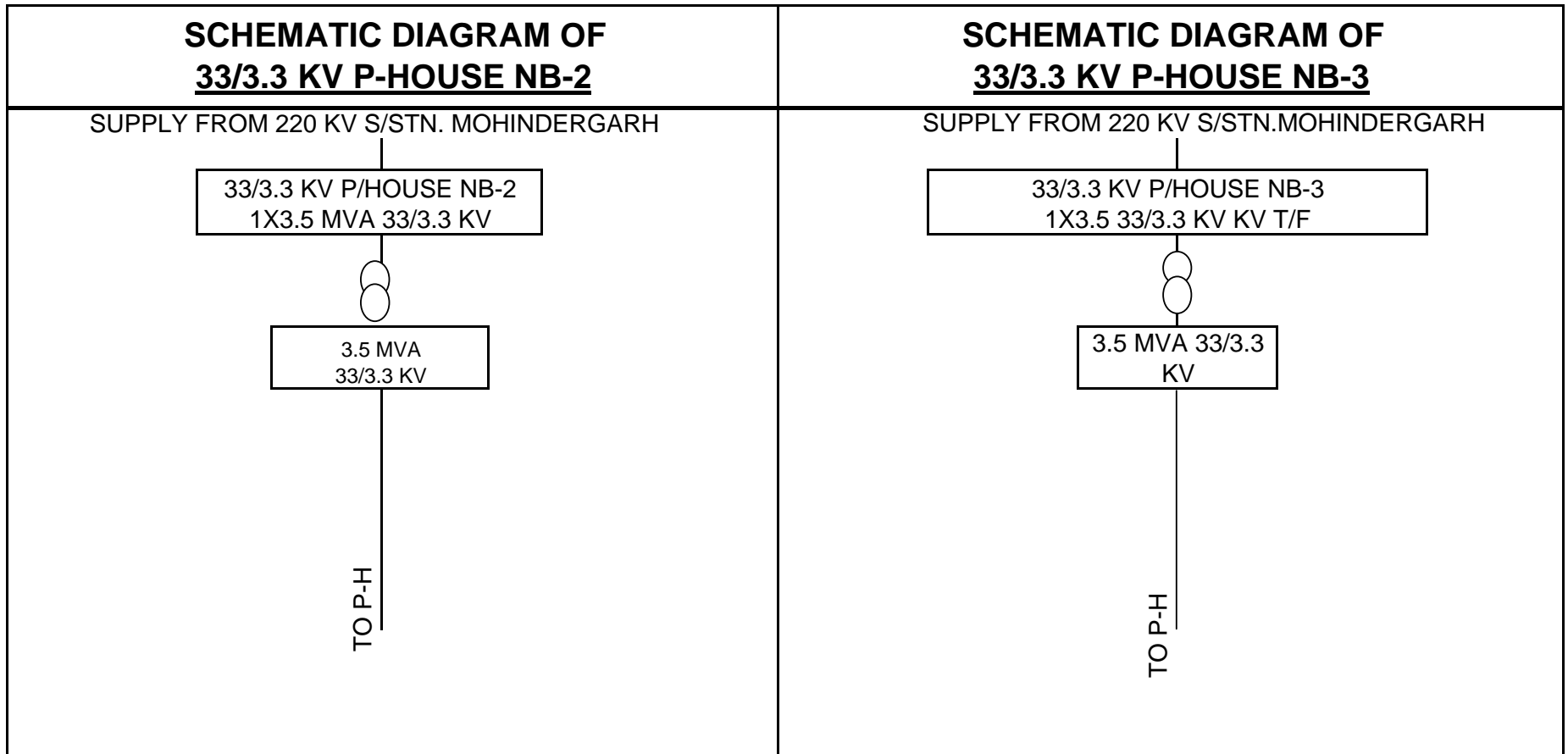


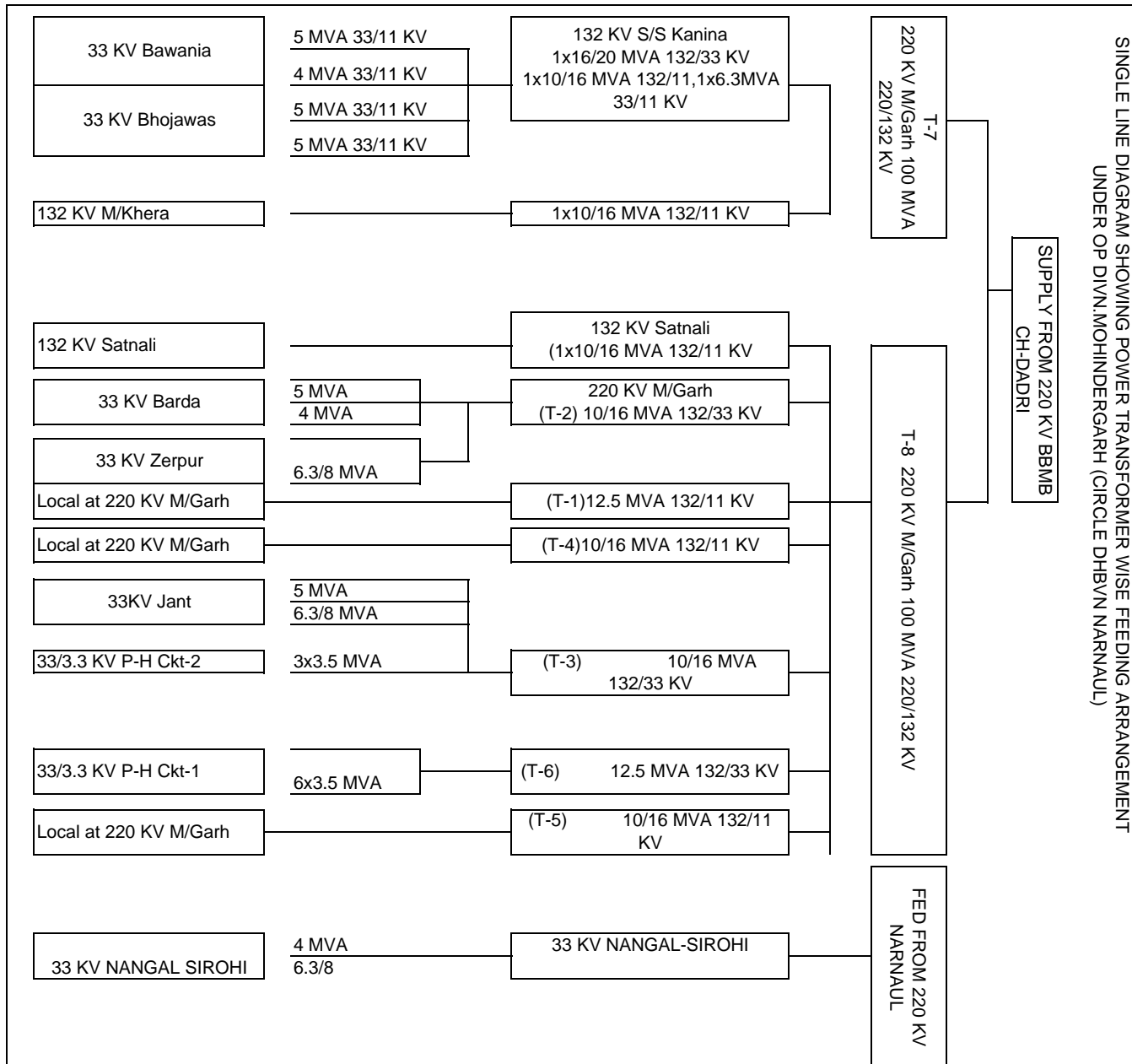
**SCHEMATIC DIAGRAM OF
33/3.3 KV P-HOUSE NB-1**

SUPPLY FROM 220 KV S/STN. MOHINDERGARH

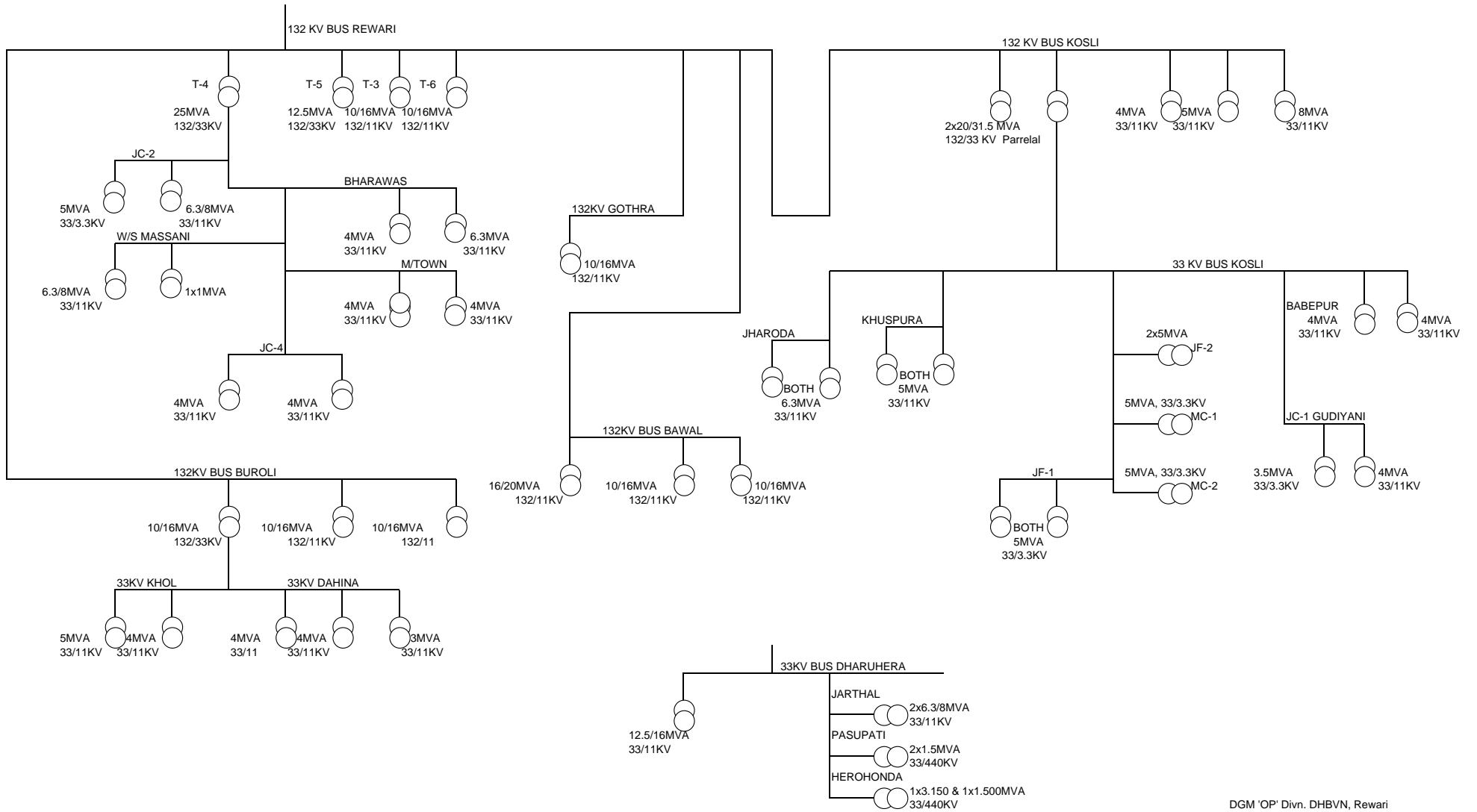
33/3.3 KV P/HOUSE NB-1
1X3.5 33/3.3 KV T/F



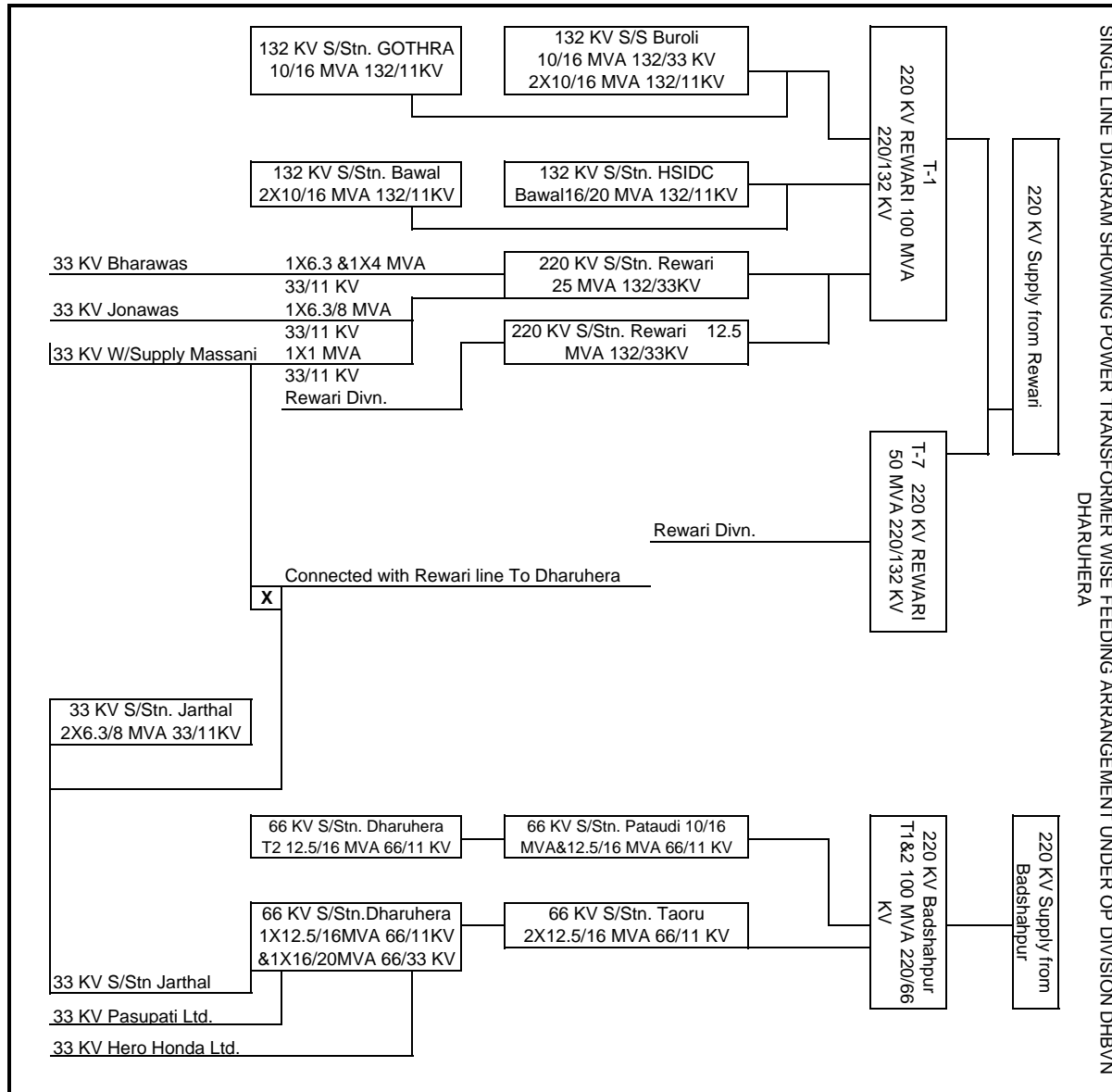




SINGLE LINE DIAGRAM SHOWING POWER SUPPLY ARRANGEMENT OF DISTT. REWARI 33 KV AND ABOVE S/STN.



DGM 'OP' Divn. DHBVN, Rewari



REWARI DISTRICT-KEY DIAGRAM(1)

Telephone of D.H.B.V.N Administration

1	Er. V.K. Bhardwaj G.M. OP Narnaul	251296	251109
2	Er. N.K. Verma, Xen	251347	251348
3	Sh. Dharmveer Singh, SDO city Narnaul	251291	251252
4	Sh. Shankar Lal, SDO S/U S/D Narnaul	251219	251262
5	Sh. Vijay pal JE incharge Ateli, under SDO City	276582	276585
6	Sh. Satish Kumar JE incharge N/ch. Under SDO S/U	278436	278282
	J.E & AFM		
1	Sh.H S.Yadav JE (Sr.)	9416092871	
2	Sh.H S.Yadav JE (Jr.)	9416373317	
3	Sh.Narender Singh JE	9355010483	
4	Sh.Om Parkash Dvr.	9416133717	
5	Sh.Maru Ram AFM	9416078786	
6	Capacitor Bank Detail	9416282547	
7	Sh. Satish JE	9416340424	
8	Sh. Pardeep JE	9812215737	
9	Sh.Vijay Pal JE	9416347921	
10	Sh Bhagwat Dayal, LDC	276324	
11	Sh.Sataypal JE	9355012130	
12	R.S.Yadav JE	9896099792	
13	Sh.O.P. Ahuja AFM	9812215739	
14	Sh. Sanjeev Madan JE	9896179618	
15	Sh. Mahabir singh, AFM	9812215738	
16	Sh. Vijay kumar J.E.	9315633382	
17	Sh. Ashok kumar, J.E.	9416417741	
18	Bijli Suvidha Kender, Rewari	01274-261740	
		9315440421	
	Toll Free No.	1912	
19	Bijli Suvidha Kender, Narnaul	01282-251265	
		9315440382	
	Toll Free No.	1912	

**IMPORTANT TELEPHONE NO. SUB DIVISION WISE
IN RESPECT 'OP' DIVISION DHBVN DHARUHERA**

Sr. No.	Name of the Officers	Code	Office	Residence	Mobile
1	Er. S.S. Yadav DGM (OP) Divn. Dharuhera	1274	242103	242104	9315440256
2	Sh. Bhoop Singh JE-I AGM (OP) Divn. Dharuhera	1274	242258		9315440257
3	Sh. Jeet Ram JE-I AGM (OP) Divn. Bawal	1284	260041	260040	9315440258
4	Er. Avinash Yadav AGM (OP) Divn. Gothra (Pali)	1281	236878		9315891668

4) Telephone Numbers of S/Stns

S.No.	Name of substation including voltage level	Dist. in which located	Telephone No. (withcode)
	132 KV S/Stn.		
1	132 KV S/Stn. Bawal	Rewari	260042
2	132KV S/Stn. HSIDC Bawal	Rewari	264404
3	132KV S/Stn.Gpthra (Pali)	Rewari	236631
	66 KV S/Stn.		
4	Capacitor Bank Detail	Rewari	242235
	33 KV S/Stn.		
5	33KVS/Station Jonawas	Rewari	240641
6	33KVS/Station Jarthal	Rewari	249028
7	33KVS/Station Bharawas	Rewari	246638

**IMPORTANT TELEPHONE NO. SUB DIVISION WISE IN RESPECT
OF 'OP' DIVISION DHBVN REWARL.**

Sr.	Name of the Officers.	Code	Office.	Residence.	Mobile
1	Er. D.L. Hansu, Xen.	1274	254762	253764	9315440251
2	Er. Ranbir Singh, SDO City-I Rewari.	1274	225174	260540	9315440252
3	Er. Budh Ram, SDO City-II, Rewari.	1274	225260	Not Installed.	9315440253
4	Er. R.R Gupta, SDO S/U S/Divin., Rewari.	1274	256149		9315440254
5	Er. Jagir Singh, SDO Op.S/Divin., Kosli.	1259	275029	275103	9315440255
6	Er. Rajesh Gupta, JE I/C Sub Officer Palawas.	1281	245845		9416949415
7	Er. Surinder kumar Yadav SDO Op. S/Divin., Buroli.	1281	230987	200044	9416889044

TELEPHONE NUMBER SUB STATION.

Sr. No.	Name of the Substation including Voltage level.	Distt in. Which	Telephone No.(with		
	Name of S/Stn.	Located.			
	220KV S/Stn.				
1	220KV Rewari.	Rewari	01274-253763		
	132KV S/Stn.				
1	132KV Kosli	Rewari.	01259-275043		
2	132KV Buroli.	Rewari	01281-230988		
	33 KV S/Stn.				
1	33 KV Model Town.	Rewari	01274-261691		
2	33KV JC-IV	Rewari	01274-261130		
3	33KV JC-II (Jatusana).	Rewari	01281-281846		
4	33KV Palhawas.	Rewari	01281-254645		
5	33KV Dahina.	Rewari	01281-248638		
6	33KV Khol.	Rewari	01281-240014		
7	33 KV Khushpura.	Rewari	01281-278108		
8	33KV Jharoda.	Rewari	01259-273243		
9	33KV JC-I (Gudiyani) Pump House	Rewari	01259-261602		
10	33KV MC-I (Juddi) Pump House.	Rewari	01259-213303		
11	33KV MC-II (Bisowa) Pump House.	Rewari	01259-261303		

10									53	
(C) Transmission Line data										
OP' DIVISION DHBVN DHARUHERA										
Sr. No.	Name of S/Stn. With voltage level		Length of line (in KMs)	Voltage in KV	No. of Circuits	Conductor size	Max demand recorded during the year in Amp.	Month in which max demand was recorded		
	From	To								
OP Divn. DHARUHERA										
1	220 KV S/STATION REWARI	132 S/STATION HSIDC BAWAL	15.2	132 KV	SINGLE	0.2 Sq.	708	Mar-07		
2	132 KV S/STATION HSIDC BAWAL	132 S/STATION BAWAL	3.2	132 KV	SINGLE	0.2 Sq.	T1- 804, T2-768	Mar-07		
3	132 KV S/STATION BUROLI	132 KV S/STATION GOTHRA(PALI)	6	132 KV	SINGLE	0.2 Sq.	780	Mar-07		
4	66KV S/STATION TAORU	66KV S/STATION DAHRUHERA	18	66KV	SINGLE	0.15 Sq.	T1- 260, T2- 840,	Mar-07		
5	66KV S/STATION PATUDI	66KV S/STATION DAHRUHERA	16	66KV	SINGLE	0.15 Sq.	T3- 640	Mar-07		
6	66KV S/STATION DAHRUHERA	33 KV S/STATION JARTHAL	13	33KV	SINGLE	0.075Sq.	T1- 362, T2- 355	Mar-07		
7	220 KV S/STATION REWARI	33 KV S/STATION JONAWAS	13.5	33KV	SINGLE	0.075Sq.	385	Mar-07		
8	33 KV S/STATION JONAWAS	33 KV W/S MASSANI UN ATTENDED	4	33KV	SINGLE	0.075Sq.	30	Mar-07		
9	Capacitor Bank Detail	33 KV S/STATION BHARAWAS	13	33KV	SINGLE	0.075Sq.	T1-320,T2-200	Mar-07		
TRANSMISSION LINE DATA UNDER OP. DIVISION DHBVN REWARI.										
1	220KV S/S Rewari.	33KV Jatusana.	11.000	33KV	Single	0.1 Sq"	195	7-Feb		
2	220KV S/S Rewari	33KV Palawas	17.000	33KV	Single	0.04 Sq."	290	7-Feb		
3	220KV S/S Rewari.	33KV Model Town (From JC-4 Link Link).	1.600	33KV	Single	01 Sq"	190	7-Feb		
4	220KV S/S Rewari.	33KV JC-IV.	7.000	33KV	Single	0.1 Sq"	190	7-Feb		
5	220KV S/S Rewari.	33KV janawas.	6.000	33KV	Single	0.075 Sq"	190	7-Jan		
6	220KV S/S Rewari.	33KV Bharawas.	13.000	33KV	Single	0.075Sq"	195	7-Jan		
7	132KV S/S Buroli.	33KV Dhaina.	9.000	33KV	Single	0.1Sq"	250	7-Feb		
8	132KV S/S Buroli.	33KV Khol.	18.000	33KV	Single	0.1 Sq"	220	7-Feb		
9	132KV S/S Kosli.	33KV Jharoda.	12.000	33KV	Single	0.1 Sq"	195	7-Feb		
10	132KV S/S Kosli.	33KV Khushpura.	8.500	33KV	Single	0.1Sq"	245	7-Feb		
11	132KV S/S	33KV Juddi	13.500	33KV	Single	0.1Sq"	420	Jan-07		

									.54.
OP Divn. Narnaul									
1	220KV Narnaul	33KV Dhani Bathotha	10	33KV	Single	0.075Sq"	530	12/06	
2	220KV Narnaul	33KV Nizampur	15	33KV	Single	0.075Sq"	380	12/06	
3	220KV Narnaul	33KV Khataoti	12	33KV	Single	0.075Sq"	500	12/06	
4	220KV Narnaul	33KV Indl. Area	0.09	33KV	Single	0.075Sq"	350	1/07	
5	132 KV Ateli	33KV Kanti	12	33KV	Single	0.075Sq"	650	1/07	
6	132 KV Ateli	33KV Garhi Mahasar	8	33KV	Single	0.075Sq"	420	1/07	
7	132 KV Ateli	33KV Dublana	10	33KV	Single	0.075Sq"	510	1/07	
OP Divn.Mohindergarh									
1	220KV Mohindergarh	33KV Zerpur	12	33KV	Single	0.075Sq"	390A	39083	
2	220KV Mohindergarh	33KV Barda	T-Off M/Gar	33KV	Single	0.1Sq"	400A	39083	
3	220KV Narnaul	33KV Nangal-Sirohifed from Narnaul	19	33KV	Single	0.075Sq"	580A	39083	
4	220KV Mohindergarh	33KV Jant	12.5	33KV	Single	0.1Sq"	650A	39083	
5	132 KV Kanina	33KV Bhojawas	12	33KV	Single	0.075Sq"	490A	39083	
6	132 KV Kanina	33KV Bawania	T-off M/Gar	33KV	Single	0.075Sq"	470A	39083	
7	220KV Mohindergarh	33/3.3 KV MC-3	24	33KV	Double	0.075Sq"	480A	39083	
8	220KV Mohindergarh	33/3.3 KV MC-4	24	33KV	Double	0.075Sq"	300A	39083	
9	220KV Mohindergarh	33/3.3 KV MC-5	24	33KV	Double	0.075Sq"	480A	39083	
10	220KV Mohindergarh	33/3.3 KV NB-1	22	33KV	Single	0.1Sq"	320A	39083	
11	220KV Mohindergarh	33/3.3 KV NB-2	22	33KV	Single	0.1Sq"	260A	39083	
12	220KV Mohindergarh	33/3.3 KV NB-3	22	33KV	Single	0.1Sq"	300 A	39083	

11						55
REWARI DISTRICT						
Division Wise 11KV line Details						
Op Divn. DHARUHERA						
Sr. No.	Name & voltage level of originating substation	Name of 11 KV feeder	Conductor		Max demand recorded during the year in Amp.	
			Size	Length (inKM.)		
(OP) DIVN. DHARUHERA						
S/DIVN. DHARUHERA						
66 KV Dharuhera						
	1	PIPAKI	3,6,8 SWG	25.500	200	
	2	MEHRA II	3,6,8 SWG	3.500	380	
	3	MULTI TECH -II	3,6,8 SWG	2.800	200	
	4	COMPLEX	3,6,8 SWG	5.000	240	
	5	KATAWALI	3,6,8 SWG	30.000	250	
	6	BHATSANA	3,6,8 SWG	32.500	200	
	Capacitor Bank Detail	MULTI TECH -I	3 SWG	2.800	180	
	8	MAU	3,6,8 SWG	26.000	110	
	9	DHARUHERA	3,6,8 SWG	24.000	380	
	10	MEHRA I	0.075Sq.	3.500	320	
33 KV Jarthal						
	11	NIKHRI	3,6,8 SWG	24.000	210	
	12	GENERAL IND.	3,6,8 SWG	9.000	78	
	13	UNIPRODUCT	3,6,8 SWG	1.500	84	
	14	ANANTRAJ	3 SWG	4.500	75	
	15	W/SUPPLY	6SWG	0.500	2	
	16	JARTHAL	3,6,8SWG	26.000	190	
	17	GARHI BOLINI	3,6,8SWG	27.000	275	
33 KV Jonawas						
	18	MASSANI	3,6,8SWG	24.000	190	
	19	MEERPUR	3,6,8SWG	36.000	140	
	20	KHIZURI	3,6,8SWG	24.000	170	
	21	LUCAS TVS	6SWG	1.500	25	
	22	W/SUPPLY FEDERI	6SWG	6.000	5	
	23	SIDHARATH PAPER	3SWG	1.400	36	
	24	GENERAL IND.-I	6,3SWG	3.000	195	
	25	OCCL	3SWG	1.500	115	
	26	GENL. INDUSTRIAL II	6,3SWG		140	
	27	BHC	6SWG	2.500	45	
	28	OMEX	3,6,8 SWG	4.000	230	
	29	INDUSTRIAL GENL.	3SWG	21.000	150	
	30	AKERA	3,6,8 SWG	23.000	150	
	31	SIDHRAWALI	3,6,8 SWG	38.000	200	
	32	KAPRIWAS	3,6,8 SWG	26.000	150	
S/DIVN. BAWAL						
132 KV S/Stn., Bawal						
	1	PRANPURA	3,6,8 SWG	33.000	270	
	2	BAWAL	3,6,8 SWG	9.000	110	
	3	KARNAWAS	3,6,8 SWG	55.000	200	
	4	JLNC	6SWG	27.000	70	
	5	MANGLESHWAR	3,6,8 SWG	24.000	200	
	6	W/SUPPLY AJERKA	6SWG	16.000	10	
	7	MOHD. PUR	3,6,8 SWG	25.000	140	
	8	IBRAHIMPUR	3,6,8 SWG	38.000	130	

						56
	9	SUBASERI	3,6,8 SWG	30.000	200	
	10	BIDAWAS	3,6,8 SWG	25.000	180	
	11	KHANDORA	3,6,8 SWG	67.000	280	
	12	DULEHRA	3,6,8 SWG	39.000	190	
	13	JABUWA	3,6,8 SWG	39.000	190	
	14	TAKRI	3,6,8 SWG	25.000	270	
	132 KV S/Stn., HSIDC Bawal					
	15	AIG LTD.	0.075Sq.	0.080	140	
	16	T. I. METAL	0.075Sq.	2.000	120	
	17	HSIDC	0.075Sq.	10.000	190	
	18	FORMOST	0.075Sq.	6.000	60	
	19	CKT. - I	0.075Sq.	3.000	ON	
	20	CKT- II	0.075Sq.	3.000	180	
	21	YKK	0.075Sq.	5.000	130	
	S/DIVN.GOTHRA					
	132 KV Pali Gothra					
	1	PUNSIKA	3,6,8 SWG	18.200	180	
	2	KUNDAL	3,6,8 SWG	37.300	270	
	3	KUND	3,6,8 SWG	56.300	290	
	4	GUMINA	3,6,8 SWG	19.600	270	
	5	CHITADUNGRA	3,6,8 SWG	30.300	280	
	6	KHORI	3,6,8 SWG	22.000	280	
	7	BALWARI	3,6,8 SWG	21.200	280	
	8	BASS DUDA	3,6,8 SWG	28.600	270	
	9	GOTHRA	3,6,8 SWG		280	
	33 KV S/Stn., Bharawas					
	10	JATUWAS	3,6,8 SWG	26.000	190	
	11	KANUKA	3,6,8 SWG	19.500	165	
	12	RAJGARH	3,6,8 SWG	35.500	210	
			65			
	(OP) DIVN. REWARI					
	1 220KV Rewari.					
	1	City-I	3/6 SWG.	2.550	200	
	2	City-II.	3/6 SWG.	3.450	300	
	3	W/Works.	3/6 SWG.	6.850	10	
	4	Agarwal	3/6 SWG.	0.545	120	
	5	Bhoodpur.	3/6 SWG.	55.160	270	
	6	Bikaner	3/6 SWG.	66.000	260	
	7	B.B. Ashram	3/6 SWG.	38.580	110	
	8	Hansaka	3/6 SWG.	30.000	90	
	9	City-III	3/6 SWG.	10.500	220	
	10	kumbhawas	3/6 SWG.	56.920	180	
	11	Nangal Pathani.	3/6 SWG.	52.000	160	
	12	IOC karnawas	3/6 SWG.	16.000	20	
	13	IOC Bhoodpur	3/6 SWG.	9.000	5	
	14	JC-III.	3/6 SWG.	1.450	180	
	2 132KV Buroli.					
	1	Masit.	3/6 SWG.	31.800	170	
	2	Dhawana.	3/6 SWG.	32.500	220	
	3	Gumina.	3/6 SWG.	33.950	150	
	4	Siha	3/6 SWG.	29.000	180	
	5	Kahari.	3/6 SWG.	28.800	120	
	6	Aulant.	3/6 SWG.	36.690	180	
	7	Khaleta.	3/6 SWG.	34.610	210	
	8	DD-I.	3/6 SWG.	24.000	40	
	9	DD-II	3/6 SWG.	6.000	20	

						57
3	132KV Kosli.					
	1	Nathera.	3/6 SWG.	46.000	130	
	2	Gudiyani	3/6 SWG.	40.000	120	
	3	Nahar.	3/6 SWG.	28.000	180	
	4	Toomna	3/6 SWG.	39.000	120	
	5	Kosli.	3/6 SWG.	24.000	90	
	6	Jakhala.	3/6 SWG.	55.000	135	
	7	W/S Gudiyani	3/6 SWG.	14.800	10	
4	33KV Dahina.					
	1	Zainabad 'B'	3/6 SWG.	29.500	180	
	2	W/S Dahina.	3/6 SWG.	0.500	10	
	3	Zainabad 'A'	3/6 SWG.	32.000	180	
	4	Dahina.	3/6 SWG.	2681.000	140	
	5	Kanwali.	3/6 SWG.	28.700	160	
5	33KV Khol.					
	1	Nangal Jamalpur	3/6 SWG.	35.69	120	
	2	Bohka.	3/6 SWG.	39.280	130	
	3	Mandola.	3/6 SWG.	29.650	140	
	4	Khol.	3/6 SWG.	29.390	160	
6	33KV khol.					
	1	Baldhan.	3/6 SWG.	26.260	150	
	2	Darouli.	3/6 SWG.	25.000	120	
	3	W/S Khushpura.	3/6 SWG.	0.600	10	
	4	Babrauli.	3/6 SWG.	23.000	140	
7	33KV Jharoda.					
	1	Nahar.	3/6 SWG.	47.000	150	
	2	W/Supply	3/6 SWG.	0.080	2	
	3	Jharada.	3/6 SWG.	50.000	160	
	4	Nangal Kheri	3/6 SWG.	46.000	180	
	5	Lissan.	3/6 SWG.	24.460	130	
8	33KV JC-IV					
	1	Bithwana	3/6 SWG.	39.000	90	
	2	JC-IV	3/6 SWG.	4.000	50	
	3	Hated.	3/6 SWG.	9.000	5	
	4	Salawas	3/6 SWG.	36.800	80	
	5	Sangwari.	3/6 SWG.	37.000	110	
	6	W/S Lalpur	3/6 SWG.	3.000	5	
9	33KV Model Town Rewari.					
	1	Model Town	3/6 SWG.	2.5	180	
	2	Reliance	3/6 SWG.	6.000	20	
	3	Brass Market	3/6 SWG.	5.500	95	
	4	IOC Colony.	3/6 SWG.	1.450	90	
	5	Dhaliyawas	3/6 SWG.	4.000	80	
10	33KV Palawas					
	1	Gurawera.	3/6 SWG.	28.4	180	
	2	Gangaicha.	3/6 SWG.	35.815	10	
	3	Jiwera W/Supply.	3/6 SWG.	27.250	5	
	4	Lala.	3/6 SWG.	35.000	90	
	5	Chowki.	3/6 SWG.	48.000	95	
11	33KV Jatusana (JC-II)					
	1	Jatusana	3/6 SWG.	49.970	160	
	2	Babrauli.	3/6 SWG.	47.700	110	
	3	KishanGarg	3/6 SWG.	33.000	70	
	4	Berli Kalan.	3/6 SWG.	53.540	130	
	5	Shekhu Shikarpur.	3/6 SWG.	8.000	5	

						58
		OP DIVN., NARNAUL				
	220KV S/snt. Narnaul					
	1	Niwas Nagar	8/6/3 SWG	30	305	
	2	Mehampur	8/6/3 SWG	20	80	
	3	City -1	8/6/3 SWG	20	340	
	4	City -2	8/6/3 SWG	25	430	
	5	City -3	8/6/3 SWG	25	200	
	6	Sobhapur	8/6/3 SWG	55	270	
	7	NLD-1	8/6/3 SWG	45	300	
	8	Sihma	8/6/3 SWG	40	280	
	9	Hudina	8/6/3 SWG	55	280	
	10	H. Board	8/6/3 SWG	5	80	
	132 KV S/Stn. Ateli					
	1	Garhi	8/6/3 SWG	63.4	220	
	2	Tigra	8/6/3 SWG	37.4	170	
	3	Kat-Kai	8/6/3 SWG	36	0	
	4	Gokalpur	8/6/3 SWG	35	180	
	5	Bachhod	8/6/3 SWG	50.1	280	
	6	City Ateli	8/6/3 SWG	23	100	
	7	Sagarpur	8/6/3 SWG	79.2	120	
	8	Sujapur	8/6/3 SWG	30	110	
	9	Chandpura	8/6/3 SWG	25	120	
	10	Begpur	8/6/3 SWG	50	170	
	11	Gujjarpur	8/6/3 SWG	55	150	
	12	Bocheria	8/6/3 SWG	66	240	
	13	Behali	8/6/3 SWG	57	260	
	14	Kunjpura	8/6/3 SWG	58	240	
	15	Bhilwara	8/6/3 SWG	48.3	180	
	16	Mohanpur	8/6/3 SWG	60	200	
	17	Dulat Jat	8/6/3 SWG	45	110	
	18	Silarpur	8/6/3 SWG	24		
	132 KV N/Choudhary					
	1	Sirohi Bahali	8/6/3 SWG	42	150	
	2	Check Malikpur	8/6/3 SWG	33	160	
	3	Noleja	8/6/3 SWG	43	150	
	4	Kanwi	8/6/3 SWG	26	230	
	5	Nayan	8/6/3 SWG	24	220	
	6	Akberpur	8/6/3 SWG	32	100	
	7	Gothary	8/6/3 SWG	30	220	
	8	NLD	8/6/3 SWG	18	20	
	9	Raipur Ist	8/6/3 SWG	27	200	
	10	N/Dargu	8/6/3 SWG			
	11	SBD	8/6/3 SWG	20	20	
	12	N-CH	8/6/3 SWG	25	200	
	13	Raipur IInd	8/6/3 SWG			
	14	Thanwas	8/6/3 SWG	17	80	
	15	N/Shallu	8/6/3 SWG	56	140	
	33 KV S/Stn.D/Bhathotha					
	1	Mandi	8/6/3 SWG	35	225	
	2	Khanpur	8/6/3 SWG	30	255	
	3	Seka	8/6/3 SWG	30	100	
	33KV S/Stn. Nizampur					
	1	Talot	8/6/3 SWG	45	270	
	2	Bamanwas	8/6/3 SWG	40	100	
	3	Pawera	8/6/3 SWG	28	150	
	4	Industrial	8/6/3 SWG	5	20	

						59
	33KV S/Stn Khatoti					
	1	Mohanpur	8/6/3 SWG	20	200	
	2	N/Katha	8/6/3 SWG	45	140	
	3	Jakhani	8/6/3 SWG	35	125	
	4	Balawa	8/6/3 SWG	45	130	
	33KV s/stn Kanti					
	1	Kheri Min.	8/6/3 SWG	10.5	neg	
	2	Rajpura	8/6/3 SWG	28	230	
	3	Ganiyar	8/6/3 SWG	28	210	
	4	Kheri	8/6/3 SWG	22	230	
	5	Rampura	8/6/3 SWG	14	180	
	33KV S/Stn. Garhi Mahasar					
	1	Rata	8/6/3 SWG	20	250	
	2	Khairani	8/6/3 SWG	24	240	
	33 KV S/Stn. Dubalana					
	1	Sarai	8/6/3 SWG	10	130	
	2	Khatripur	8/6/3 SWG	9	160	
	3	Khaspur	8/6/3 SWG	35	140	
	4	Sihma	8/6/3 SWG	30	130	
	33 KV S/Stn. Indl. area NNL					
	1	City-4	8/6/3 SWG	15	30	
	2	Gehli	8/6/3 SWG	35	140	
	3	Koriawas	8/6/3 SWG	40	150	
		OP DIVN., MOHINDERGARH				
	220 KV Mohindergarh					
	1	City-1	3/6 SWG	8	260	
	2	City-2	3/6SWG	6	180	
	3	Bawania	3/6/8SWG	6	150	
	4	Pali	3/6/8SWG	22	280	
	5	Majra	3/6/8SWG	19	320	
	6	Lawan	3/6/8SWG	18	320	
	7	Jatwas	3/6/8SWG	35	200	
	8	Jonawas	3/6/8SWG	32	200	
	9	Jasawas	3/6/8SWG	25	170	
	10	Rajawas	3/6/8SWG	15	300	
	11	Budeen	3/6/8SWG	38	320	
	12	Balana	3/6/8SWG	22	300	
	13	M.D.	3/6/8SWG	22	8	
	14	PWW	3/6/8SWG	25	10	
	15	Sohla	3/6/8SWG	34	220	
	16	Duloth	3/6/8SWG	35	210	
	17	Dhadot	3/6/8SWG	19	200	
	132 KV Kanina					
	1	Kanina	3/6/8SWG	72	180	
	2	Rasulpur	3/6/8SWG	75	240	
	3	Mohanpur	3/6/8SWG	78	270	
	4	Nangal	3/6/8SWG	35	260	
	5	Bharaf	3/6/8SWG	38	300	
	6	Chhitroli	3/6/8SWG	72	260	
	7	Dhanonda	3/6/8SWG	55	240	
	8	Pathera	3/6/8SWG	72	260	
	9	Annawas	3/6/8SWG	43	140	
	10	Kapoori	3/6/8SWG	37	220	
	11	Lukhi	3/6/8SWG	35	230	
	12	Gujjarwas	3/6/8SWG	34	250	

						60
	132 KV Satnali					
	1	Nawan	3/6/8SWG	36	350	
	2	Shayampura	3/6/8SWG	34	240	
	3	Nangla	3/6/8SWG	15	250	
	4	Satnali	6/8SWG	10	80	
	5	Bass	3/6/8SWG	16	240	
	6	Basri	3/6/8SWG	27	230	
	7	Surehti	3/6/8SWG	16	320	
	132 KV Mundia-Khera					
	1	Bewal	6/8SWG	31	200	
	2	Bhalkhi	6/8SWG	21	130	
	3	Dongra	6/8SWG	28	190	
	4	Kalwari	6/8SWG	2	220	
	5	Khairana	6/8SWG	30	200	
	6	Gomla	6/8SWG	26	240	
	33 KV Zerpur					
	1	Zerpur	3/6/8SWG	16	290	
	2	Ushmapur	6/8SWG	17	160	
	33 KV Barda					
	1	Digrota	3/6/8SWG	22	200	
	2	Madhogarh	3/6/8SWG	30	220	
	3	Dalanwas	3/6/8SWG	26	200	
	4	Mandola	3/6/8SWG	17	190	
	33KV Nangal-Sirohi					
	1	Bairawas	6/8SWG	34	170	
	2	Kuksi	6/8SWG	32	120	
	3	Kothal	3/6/8SWG	24	120	
	4	Nangal-Sirohi	3/6/8SWG	27	230	
	33 KV Jant					
	1	Dholi	6/8SWG	20	200	
	2	Bassai	3/6/8SWG	26	320	
	3	Akoda	3/6/8SWG	17	305	
	4	Malra	6/8SWG	16	250	
	5	Bawana	3/6/8SWG	22	220	
	6	Sehlang	3/6/8SWG	40	240	
	33 KV Bhojawas					
	1	Bhojawas	6/8SWG	12	240	
	2	Mori	3/6/8SWG	11	150	
	3	Sundrah	3/6/8SWG	13	220	
	4	Dhana	6/8SWG	22	250	
	5	Manpura	3/6/8SWG	35	120	
	6	Israna	3/6/8SWG	15	180	
	33 KV Bawania					
	1	Surjanwas	6/8SWG	13	160	
	2	Bachini	6/8SWG	15	260	
	3	Nangal-Harnath	6/8SWG	18	140	
	4	Dulana	6/8SWG	15	50	
	5	Dewas	6/8SWG	16	210	

12						61
NARNAUL CIRCLE						
10) Division wise 33KV S/Stn detail (Capacity & Max. load)						
S.No.	Name of Division / S/Stn	Capacity of transformer in MVA	Voltage ratio in KV	Maximum load recorded		
OP, DIVN DHARUHERA						
1	33 KV S/STATION JARTHAL	1X6.3/8 MVA	33/11KV	362	6.9	
		1X6.3/8 MVA	33/11KV	355	6.9	
2	33 KV S/STATION JONAWAS	1X6.3/8 MVA	33/11KV	385	7.3	
3	33 KV S/STATION BHARAWAS	1X6.3 MVA	33/11KV	320	6	
		1X4MVA	33/11KV	200	4	
(OP) DIVISION DHBVN REWARI.						
1	Capacitor Bank Detail	4 MVA	33/11 KV	185	3.52	
		4MVA	33/11 KV	190	3.62	
2	33KV JC-IV.	4MVA	33/11 KV	185	3.52	
		4MVA	33/11 KV	190	3.62	
3	33KV Jharoda	6.3/8MVA	33/11 KV	195	3.71	
		6.3/8MVA	33/11 KV	190	3.62	
4	33KV Palhawas.	6.3MVA	33/11 KV	290	5.52	
		5MVA	33/11 KV	240	4.57	
5	33KV Juddi.	5MVA	33/3.3KV	420	4.57	
6	33KV Bisowa	5MVA	33/3.3KV	440	8.38	
7	33KV Gudiyani.	4MVA	33/11 KV	180	3.43	
		3.5MVA	33/3.3KV	360	6.85	
8	33KV JC-II	1x5MVA	33/3.3KV	310	5.9	
	(Jatusana).	1x6.3/8MVA	33/11 KV	195	3.71	
9	33KV Khol.	5MVA	33/11 KV	210	4	
		4MVA	33/11 KV	220	4.19	
10	33KV Dahina.	4MVA	33/11 KV	205	3.9	
		6.3MVA	33/11 KV	250	4.76	
		4MVA	33/11 KV	220	4.19	
11	33KV Khushpura	5MVA	33/11 KV	245	4.66	
		5MVA	33/11 KV	230	4.38	
12	33 KV MC-II	3.5 MVA	33/3.3 KV			
OP Divn., Narnaul						
1	33 KV D/Bhathotha	1x6.3/8MVA	33/11KV	330	6.285714286	
		1x5 MVA	33/11KV	200	3.80952381	
2	33KV S/Stn. Nizampur	1x6.3/8MVA	33/11KV	380	7.238095238	
3	33KV S/Stn Khatoti	1x6.3 MVA	33/11KV	300	5.714285714	
		1x4 MVA	33/11KV	200	3.80952381	
4	33KV s/stn Kanti	1x6.3/8 MVA	33/11KV	400	7.619047619	
		1x5 MVA	33/11KV	250	4.761904762	
5	33KV S/Stn. Garhi Mahasar	1x6.3/8MVA	33/11KV	420	8	
6	33 KV S/Stn. Dubalana	1x5 MVA	33/11KV	260	4.952380952	
		1x5 MVA	33/11KV	250	4.761904762	
7	33 KV S/Stn. Indl. NNL	1x6.3/8MVA	33/11KV	350	6.666666667	
8	33 KV NB-V	3.5 MVA	33/3.3 KV			

						62
	OP, DIVN Mohindergarh					
1	33 KV Zerpur	1x6.3/8MVA	33/11KV	290	5.523809524	
2	33KV Barda	1x4MVA	33/11KV	200	3.80952381	
		1x5MVA	33/11KV	200	3.80952381	
3	33KV Nangal-Sirohi	1x4MVA	33/11KV	200	3.80952381	
		1x6.3/8MVA	33/11KV	380	7.238095238	
4	33KV Jant	1x5MVA	33/11KV	250	4.761904762	
		1x6.3/8MVA	33/11KV	400	7.619047619	
5	33 KV Bhojawas	1x5MVA	33/11KV	240	4.571428571	
		1x5MVA	33/11KV	250	4.761904762	
6	33KV Bawania	1x5MVA	33/11KV	260	4.952380952	
		1x4MVA	33/11KV	210	4	
7	33 KV MC-III	3.5 MVA	33/3.3 KV			
8	MC-IV	3.5 MVA	33/3.3 KV			
9	33 KV NB-I	3.5 MVA	33/3.3 KV			
10	33 KV NB-II	3.5 MVA	33/3.3 KV			
11	33 KV NB-III	3.5 MVA	33/3.3 KV			
12	33 KV NB-IV	3.5 MVA	33/3.3 KV			

REWARI DISTRICT
Capacitor Bank Details-Installed Capacity, Make & Working capacity

Sr. No.	Name of S/Stn.	Voltage rating of capacitor	Capacity at rated voltage in MVAR	Make	No. of units forming the Capacitor	Capacity of each unit in KVAR	No. of units as on 31.03.07	
							Healthy	Defective
OP Divn. Dharuhera								
1	33 KV S/STATION JARTHAL	11KV	1.2	MAHAN	12	100	9	3
		11KV	1.2	MAHAN	12	100	12	12
2	33 KV S/STATION JONAWAS	11KV	1.8	SHREEN	12	150	9	3
3	33 KV S/STATION BHARAWAS	11KV	1.8	SHREEN	12	150	12	12
OP Divn. REWARI								
1	33KV S/S Model Town	11KV	Not Installed.					
2	33KV S/S JC-IV.	11KV	1.8	Shreem.	12	150	1.8	0
		11KV	1.8	Shreem.	12	150	1.8	-
3	33KV S/S Jharoda.	11KV	Not Installed.					
	Capacitor Bank Detail	11KV	1.8	Shreem	6	150	0.9	0.9
4	33KV S/S Palawas	11KV	0.9	BHEL	6	75	0.9	-
		11KV	1.8	BHEL	12	150	1.8	-
5	33KV S/S Juddi.	3.3KV	Not Installed.					
6	33KV S/S Bisowa.	3.3KV	Not Installed.					
7	33KV S/S Gudiyani.	3.3KV	Not Installed.					
		11KV	Not Installed.					
8	33KV S/S JC-II.	3.3KV	Not Installed.					
		11KV	1.8	Shreem	12	150	1.8	
9	33KV S/S Khol	11KV	1.8	Shreem	12	150	1.8	
			(RVT Def.)					
10	33KV S/S Dahina.	11KV	1.8	BHEL	12	150	1.8	
		11KV	1.8	BHEL	12	150	1.8	
		11KV	Not Installed.					
11	33KV S/S Khushpura.	11KV	Not Installed.					
		11KV	Not Installed.					
OP DIVN. NARNAUL								
1	33 KV D/Bhathotha	11 KV	1.2	Mahan Elec.	12	100	0	12
		11 KV	1.8	Shareen	12	150	0	12
2	33KV S/Stn. Nizampur	11 KV	1.2	Mahan Elec.	12	100	12	0
3	33KV S/Stn Khatoti	11 KV	1.008	BHEL	12	84	0	12
		11 KV	1.8	Shareen	12	150	0	12
4	33KV s/stn Kanti	11 KV	1.8	Shareen	12	150	9	3 (RVT defective)
		11 KV	1.8	Shareen	12	150	12	0 (Intruption defective)
5	33KV S/Stn. Garhi Mahasar	11 KV				Not installed		
6	33 KV S/Stn. Dubalana	11 KV				Not installed		
7	33 KV S/Stn. Indl. Estate NNL	11 KV				Not installed		
							Healthy	Defective
OP DIVN. MOHINDERGARH								
1	33KV Zerpur	11 KV	3	GOA Elect.	15	200	15	0
2	33KV Barda	"	1.8	Shreem	12	150	12	0
		"	0		0	0	0	0
3	33KV Nangal-Sirohi	"	1.2	Mohan	12	100	10	2
		"	1.8	Shreem	12	150	12	0
4	33KV Jant	"	1.8	Shreem	12	150	12	0
		"	12	Mohan	12	100	0	12
5	33KV Bhojawas	"	1.8	Shreem	12	150	4	8
		"	1.8	Shreem	12	150	11	1
6	33KV Bawania	"	0		0	0	0	0
		"	0		0	0	0	0

Note:- Capacitor not yet installed at below noted 33 kv S/Stns:-
(1)T-2 Barda (2) Bawania

REWARI DISTRICT

1) Length of each 33 KV feeder substation/ sub division wise.

(op) Divn. Dharuhera

Sr. No.	Name of voltage level of originating substation	Name of 33 KV feeder	Name of Sub-Division	Conductor		33 KV substation being fed by this feeder		
				Size	Length(in KM)	Name	Capacity	
S/Divn. Dharuhera								
1	66KV S/STATION DAHRUHERA	33 KV S/STATION JARTHAL	DHARUHERA	0.075Sq.	13	33KV S/STATION JARTHAL	2X6.3/8MVA	
2	220 KV S/STATION REWARI	33 KV S/STATION JONAWAS	DHARUHERA	0.075Sq.	13.5	33 KV S/STATION JONAWAS	1X6.3/8MVA	
3	220KV S/STATION REWARI	33 KV W/S MASSANI UN ATTENDED	DHARUHERA	0.075Sq.	4	33 KV W/S MASSANI UN ATTENDED	1X1MVA	
5	66KV S/STATION DAHRUHERA	33 KV HERO HONDA	DHARUHERA	0.1Sq.	5	66KV S/STATION DAHRUHERA	1X3.150 MVA 1X1.500 MVA	Consumer S/Stn.
6	66KV S/STATION DAHRUHERA	33 KV PASU PATI	DHARUHERA	0.1Sq.	6.5	66KV S/STATION DAHRUHERA	2X1.500 MVA	Consumer S/Stn.
(OP)S/ Divn. Gothra								
4	220 KV S/STATION REWARI	33 KV S/STATION BHARAWAS	GOTHRA (PALI)	0.075Sq.	13	GOTHRA (PALI)	1X6.3MVA 1X4	

(OP) Divn. REWARI

1	220KV S/S	33KV Jatusana	Palawas	0.1Sq"	11.000 (From Re	Jatusana	5MVA 33/3.3KV	
	Capacitor Bank Detail		S/Office.	0.1Sq"	19.000 (From Rewari)		6.3/8MVA 33/11KV	
2	220KV S/S	33KV Palawas.	-do-	0.04"	17.000 (From Re	Palawas	1x66.3MVA 33/11KV 1x5MVA	
	Rewari.							
3	220KV S/S	33KV Janawas	Dharuhera.	0.075"	6.000 (From Rew	Dharuhera.	6.3/8MVA 33/11KV	
	Rewari.				To Jonawas)			
					4.300 (Jonawas to W/W)		1MVA.	
4	220KV S/S	33KV Model Town	City-II	0.1Sq"	1.600 (From Rew	City-II RWR.	1x4MVA 33/11KV 1x4MVA 33/11KV	
	Rewari.							
5	220KV S/S	33JC-IV	S/U RWR.	0.1 Sq"	7.000 (From Rew	S/U Rewari.	2x4MVA 33/11KV	
	Rewari.							
6	220KV S/S	33KV Bharawas.	Pali S/D.	0.075Sq"	13.000 (From Re	Pali S/Divn.	1x4MVA 33/11KV 2x6.3/8MVA33/11KV	
	Rewari.							
7	132KV S/S Buroli..	33KV Dahina.	Buroli.	0.1Sq"	9.000 (From Rew	Buroli S/Divn.	2x4 MVA 33/11KV 1x6.3MVA -do-	
8	132KV S/S	33KV Khol.	Buroli.	0.1Sq"	18.000 (From Bu	Buroli S/D	1x5MVA 33/11KV 1x4MVA	
	Buroli.							
9	132KV S/S Kosli.	33KV Jharodha.	Kosli.	0.1 Sq"	12.000 (From Ko	Kosli S/Divn.	2x6 3/8 MVA 33/11KV	
10	132KV S/S Kosli.	33KV Khushpuro.	-do-	0.1 Sq"	8.500 (From Kos	-do-	2x5 MVA 33/11KV	
11	132KV S/S Kosli.	33KV Gudiyani	-do-	0.1 Sq"	11.800 (From Ko	-do-	1x5 MVA 33/11KV 1x3.5 MVA 33/3.3KV	
12	132KV S/S Kosli.	33KV Juddi.	-do-	0.1 Sq"	13.500 (Kosli to	-do-	5 MVA 33/3.3KV	
13	132KV S/S Kosli.	33KV Bisowa	-do-	0.1 Sq"	9.000 Juddi to Bi	-do-	3.5MVA 33/3.3KV	
14	132KV S/S Kosli.	33KV Salawas Ckt-1&2	Fall under UHBVN Jhajjar Division					
		33KV Jhajjar	33KV Jhajjar fall under UHBVN Jhajjar Division.					

OP' DIVISION NARNAUL								
1	220KV Narnaul	33 KV D/Bhathotha	S/U>NNL	0.075Sq'	10	D/Bhathotha	T-1 1x6.3/8MVA,33/11KV T-2 1x5MVA,33/11KV	
		33 KV N/pur			17	N/Pur	T-1 1x6.3/8MVA,33/11KV	
		33 KV Khatoti			12	Khatoti	T-1 1x6.3/8MVA,33/11KV T-2 1x4MVA,33/11KV	
		33 KV T-off D/Bhathotha			0.5	Incl.>NNL	T-1 1x6.3/8MVA,33/11KV	
2	132 KV Ateli	33KV Kanti	33 KV Garhi Ma	Ataeli	0.075Sq'	13	Kanti	T-1 1x6.3/8MVA,33/11KV T-2 1x5MVA,33/11KV
		33 KV Garhi Mahasar				8	Garhi Mahasar	T-1 1x6.3/8MVA,33/11KV
		33 KV Dublana				10	Dublana	2x5 MVA,33/11KV
OP' DIVISION M/GARH								
1	220KV S/Stn. Mohindergarh	33KV Zerpur	S/U S/Divn, Mohi	0.075Sq'	12	33KV Zerpur	1x6.3/8MVA,33/11KV	
2	220KV S/Stn. Mohindergarh	33KV Barda	S/U S/Divn, Mohi	0.1 Sq'	1.0 from T-Off M	33KV Barda	1x4MVA,33/11KV1x5MVA,33/11 KV	
3	220KV S/Stn. Narnaul	33KV N-Sirohi	S/U S/Divn, Mohi	0.075Sq'	19	33KV N-Sirohi	1x6.3/8MVA,33/11KV1x4MVA,33/11 KV	
4	220KV S/Stn. Mohindergarh	33KV Jant	City Mohindergarh	0.1 Sq'	12.5	33KV Jant	1x6.3/8MVA,33/11KV1x5MVA,33/11KV	
5	132KV Kanina	33KV Bawania	City Mohindergarh	0.075Sq'	6.0 from T-Off M	33KV Bawania	1x4MVA,33/11KV1x5MVA,33/11KV	
6	132KV Kanina	33KV Bhojawas	S/Divn.Kanina	0.075Sq'	12	33KV Bhojawas	1x5MVA,33/11KV1x5MVA,33/11KV	
7	220KV S/Stn. Mohindergarh	33KV P-House MC-3 to MC-5	S/Divn.Kanina	0.075Sq'	24	33KV P-House MC-3 to MC-5	6x3.5MVA,33/3.3KV	
8	220KV S/Stn. Mohindergarh	33 KV P-House NB-1 to NB-3	City Mohindergarh	0.1 Sq'	22	33KV P-House NB-1 to NB-3	3x3.5MVA,33/3.3KV	