



DAKSHIN HARYAN BIJLI VITRAN NIGAM

TECHNICAL DIARY

'OP' CIRCLE

SIRSA

(AS ON 31-03-2007)

INDEX

Sr. No.	Description	Page No.
1	33 KV S/Stns. Ongoing Works	1
2	Approved 33 KV Works	1
3	Division Wise S/Stn. Detail	2
4	District Wise S/Stn. Detail	.2-5
5	Detail of 11 KV Feeders	.6-11
6	Important Telephone of District Administration	.12-13
7	Power Map	14
8	Single Line Diagram of 220/132/33 KV S/Stns.	.15-32
9	Telephone No.of DHBVN Circle Administration	.33-34
10	Transmission Line Data	35
11	Division Wise 11 KV Feeders Load Detail	36-40
12	Division Wise 33 KV S/Stn. Load Detail	41
13	Capacitor Bank Detail	42

1

**LIST OF ONGOING PROJECTS OF 33KV SUB-STNS.
UNDER OP CIRCLE SIRSA**

Sr. No.	Name of S/Stn.	Capacity
1	Bara Gudha (SRS)	6.3/8 MVA, 33/11 KV T/F
2	Ahmadpur Rd.Sirsa,	6.3/8 MVA, 33/11 KV T/F
3	Mohamadpuria	6.3/8 MVA, 33/11 KV T/F
4	Khuyian Malkana (SRS)	10 MVA, 33/11 KV T/F
5	Desu Jodha (SRS)	10 MVA, 33/11 KV T/F
6	Jamal (SRS)	10 MVA, 33/11 KV T/F
7	Kagdana (SRS)	10 MVA, 33/11 KV T/F
8	Risalia Khera (SRS)	10 MVA, 33/11 KV T/F
9	Mirzapur (SRS)	2x4 MVA, 33/11 KV T/F

2

LIST OF APPROVED 33 KV WORKS

UNDER OP CIRCLE SIRSA

Sr. No.	Name of S/Stn.	Capacity
1	Panihari	1x6.3/8 MVA, 33/11 KV T/F
2	Kuttabadh	10 MVA, 33/11 KV T/F

3 Division Wise Sub-Stations						
Sr. No	Name of Divn.	No. of S/Stn.in KV				Total
		400	220	132	33	
1	City Sirsa	-	1	5	9	15
2	S/U Sirsa	-	1	5	7	13
3	Dabwali	-	-	3	3	6
	G.Total	-	2	13	19	34

4 District Wise Sub-Stations						
Sr. No	Name of Distt.	No. of S/Stn.in KV				Total
		400	220	132	33	
1	Sirsa	-	2	13	19	34

3 **DIVISION WISE**
LIST OF EXISTING 400KV,220 KV,132KV & 33KV
S/STNs UNDER 'OP' CIRCLE, SIRSA AS ON 31.3.07.

S.No.	Name of S/Stn	Capacity of Power T/F installed	
		Nos	Voltage Ratio
OP, CITY DIVISION, SIRSA			
1	220KV Sirsa	2X100MVA	220/132 KV
		3X20/25MVA	132/33 KV
		1x10/16 MVA	132/11 KV
		1x5MVA	33/11 KV
132 KV S/Stn.			
1	132KV Sirsa	1X10/16 MVA	132/11KV
2	132 KV Ding	1X16/20 MVA	132/33KV
		1x10/16 MVA	132/11 KV
3	132 KV Ran Nagria	2x10/16 MVA	132/11KV
4	132 KV Madho Singhana	2x10/16 MVA	132/11 KV
5	132 KV Mela Ground	1x10/16 MVA	132/11 KV
33 KV S/Stn.			
1	33 KV Old Site Sirsa	2x5 MVA	33/11KV
2	33KV Indl. Area Sirsa	6.3/8+4MVA	33/11KV
3	33KV Ding	6.3/8+6.3MVA	33/11KV
4	33KV Panjuana	2x6.3/8MVA	33/11KV
		1x6.3 MVA	33/11KV
5	33KV Bhaudeen	2x6.3/8MVA	33/11KV
6	33 KV Kahria	1x5 MVA	33/11 KV
7	33 KV Kasumbi	1x6.3/8 MVA	33/11 KV
8	33 KV Dhani Kahn Singh	1x6.3/8 MVA	33/11 KV
9	33 KV Sahidanwali	1x6.3/8 MVA	33/11 KV

	OP, SUB-URBAN DIVISION SIRSA		
	220 KV S/Stn.		
1	220KV Rania	2x100MVA	220/132 KV
		2X10/16MVA	132/11 KV
	132 KV S/Stn.		
1	132 KVMithi Surera/Ellanbad	1X10/16MVA	132/11KV
2	132KV Jiwan Nagar	1X20/25 MVA	132/33KV
		2X10/16MVA	132/11 KV
3	132KV Sikanderpur	1x10/16MVA	132/11KV
4	132KV/Begu	1X20/25MVA	132/33KV
		2X10/16MVA	132/11 KV
5	132 KV Kariwala	2X10/16MVA	132/11 KV
	33 KV S/Stn.		
1	33KV Ellenbad	6.3/8+6.3MVA	33/11KV
		1x4 MVA	33/11 KV
2	33KV Bhuratwala	5+4MVA	33/11KV
3	33KV Keharwala	5+4MVA	33/11KV
4	33KV Farwain	6.3/8+4MVA	33/11KV
5	33KV Nathusari	6.3/8+4MVA	33/11KV
6	33KV Darbi	5+4MVA	33/11KV
7	33KV Rasulpur Their	1x6.3/8MVA	33/11KV
	OP, DIVISION DABWALI		
	132 KV S/Stn.		
1	132 KV Dabwali	1X16/20MVA	132/33KV
		1X10/16MVA	132/11KV
2	132 KV Odhan	16/20MVA	132/33KV
		6.3/8 MVA	33/11 KV
3	132 KV Asha Khera	10/16 MVA	132/33 KV
		6.3 MVA	33/11 KV
	33 KV S/Stn.		
1	33KVGanga	6.3+4MVA	33/11KV
2	33KV Kalanwali	6.3/8+6.3MVA	33/11KV
3	33KV Rori	5+4MVA	33/11KV

4

LIST OF 33KV & ABOVE S/STNs UNDER SIRSA DISTT.

S.No.	Name of S/Stn	Capacity of Power T/F installed	
		Nos	Voltage Ratio
<u>220 KV S/Stn.</u>			
1	220KV Sirsa	2X100MVA	220/132 KV
		3X20/25MVA	132/33 KV
		1x10/16 MVA	132/11 KV
		1x5MVA	33/11 KV
2	220KV Rania	2x100MVA	220/132 KV
		2X10/16MVA	132/11 KV
<u>132 KV S/Stn.</u>			
1	132KVSirsa	1X10/16 MVA	132/11KV
2	132 KV Ding	1X16/20 MVA	132/33KV
		1x10/16 MVA	132/11 KV
3	132 KV Ran Nagria	2x10/16 MVA	132/11KV
4	132 KV Madho Singhana	2x10/16 MVA	132/11 KV
5	132 KV Mela Ground	1x10/16 MVA	132/11 KV
6	132 KVMithi Surera/Ellanbad	1X10/16MVA	132/11KV
7	132KV Jiwani Nagar	1X20/25 MVA	132/33KV
		2X10/16MVA	132/11 KV
8	132KV Sikanderpur	1x10/16MVA	132/11KV
9	132KVBegu	1X20/25MVA	132/33KV
		2X10/16MVA	132/11 KV
10	132 KV Kariwala	2X10/16MVA	132/11 KV
11	132 KV Dabwali	1X16/20MVA	132/33KV
		1X10/16MVA	132/11KV
12	132 KV Odhan	16/20MVA	132/33KV
		6.3/8 MVA	33/11 KV
13	132 KV Asha Khera	10/16 MVA	132/33 KV
		6.3 MVA	33/11 KV
<u>33 KV S/Stn.</u>			
1	33 KV Old Site Sirsa	2x5 MVA	33/11KV
2	33KV Indl. Area Sirsa	6.3/8+4MVA	33/11KV
3	33KV Ding	6.3/8+6.3MVA	33/11KV
4	33KV Panjuana	2x6.3/8MVA	33/11KV
		1x6.3 MVA	33/11KV
5	33KV Bhaudeen	2x6.3/8MVA	33/11KV
6	33 KV Kahria	1x5 MVA	33/11 KV
7	33 KV Kasumbi	1x6.3/8 MVA	33/11 KV
8	33 KV Dhani Kahn Singh	1x6.3/8 MVA	33/11 KV
9	33 KV Sahidanwali	1x6.3/8 MVA	33/11 KV
10	33KV Ellenbad	6.3/8+6.3MVA	33/11KV
		1x4 MVA	33/11 KV
11	33KV Bhuratwala	5+4MVA	33/11KV
12	33KV Keharwala	5+4MVA	33/11KV
13	33KV Farwain	6.3/8+4MVA	33/11KV
14	33KV Nathusari	6.3/8+4MVA	33/11KV
15	33KV Darbi	5+4MVA	33/11KV
16	33KV Rasulpur Their	1x6.3/8MVA	33/11KV
17	33KVGanga	6.3+4MVA	33/11KV
18	33KV Kalanwali	6.3/8+6.3MVA	33/11KV
19	33KV Rori	5+4MVA	33/11KV

5 DETAILS OF 11 KV FEEDERS OF SIRSA CIRCLE

Sirsa District

Sr. No.	Name of Divn.	Rural	Urban	Independent	Industrial	Essential	Mixed	Total
1	City Divn	64	15	4	-	1	4	88
2	S/U Sirsa	79	2	-	-	1	10	92
3	Op Dabwali	16	2	-	-	1	5	24
	Total	159	19	4	0	3	19	204

5) Detail of 11KV Feeders (Rural,Urban, Independent. Essential)

SIRSA-DISTRICT			
(OP) City Divn. Sirsa			
Sr. No.	Name of feeding S/Stn.	Name of 11kv feeder	Feeder's Nature
City S/Divn. Sirsa			
	33 KV Old Site Sirsa		
1		Hisar Road-II	Urban
2		City Old Site	Urban
3		Kirti Nagar	Urban
	33 KV Sahidawali		
4		Sahidawali	Rural
5		Natar	Rural
6		Dhingtania Road	Rural
	220 KV Sirsa		
7		Hisar Road-I	Urban
	132 KV Sirsa		
8		Mini Sectt.	Urban
	132 KV Mela Ground		
9		Kalayan Nagar	Urban
10		Gausala	Urban
11		Dera Sacha Sauda	Urban
12		Bharat Nagar	Urban
13		Shri Jagdamba	Independent
14		Rural Mela Ground	Rural
MADHOSINGHANA SUB-DIVN.			
	132 KV Ram Nagria		
1		Nanakpur	Rural
2		Alanoor	Rural
3		Bhamboor - I	Rural
4		W/Works	Rural
	132 KV Madho Singhana		
5		Modia Khera	Rural
6		Baruwali-II	Rural
7		Dhani Kalu Ram	Rural
8		Mangala-II	Rural
9		Mangala-I	Rural
10		Maujdeen-I	Rural
11		Maujdeen-II	Rural
12		Kotli	Rural
13		Mallekan-I	Rural
14		Mallekan-II	Rural
	132 KV Begu		
15		Bhoma	Rural
	33 KV Dhani Kahan Singh		
16		Titu Khera	Rural
17		Dhani Kahan Singh	Rural
I/AREA SUB-DIVN. SIRSA .			
	132 KV RaM Nagria		
1		Salarpur	Rural
2		Mohamadpuria	Rural
3		Diposal	Rural
4		Kelhnia	Rural
5		Ram Nagria	Mixed
	132 KV Sirsa		
6		Ring Road	Urban
7		Dabwali Road	Mixed
8		Air Field	Independ.
9		Hospital	Essential
10		Mandi	Urban

	33 KV I/Area Sirsa		
11		Sadar Gate	Urban
12		Housing Board	Urban
13		Shiv Chock	Urban
14		Circular Road	Urban
		Panjuana S/Divn.	
	33 KV Kharia		
1		Kharia	Mixed
2		Jodhpuria	Rural
	132 KV Odhan		
3		Engg. Collage	independent
4		Nuhiawali	Rural
5		Annandgarh `	Rural
	33 KV Panjuana		
6		Baragudha	Rural
7		Paniwala Mota	Rural
8		Mirpur	Rural
9		Kheirankan	Rural
10		MITC	Rural
11		Jhoranali	Rural
12		Bapp	Rural
13		W/W Kharian	Rural
14		Ahmedpur	Rural
15		Budha Bhana	Rural
16		Saharni	Rural
		<u>Ding S/Divn.</u>	
	132 KV Ding		
1		Dhani Majra	Rural
2		Moju Khera	Rural
3		Patli Dabar	Rural
4		Narel Khera	Rural
5		Baguwali	Rural
	33 KV Ding		
6		HAFED	Independ.
7		Kukar Thana	Rural
8		Jodhkan	Rural
9		Mochiwali	Rural
10		Ding	Rural
11		Thedi	Rural
12		Rural	Rural
	33 KV Kasumbi		
13		Kanwarpura	Rural
14		Kasumbi	Rural
15		Dhani Suchan	Rural
	33 KV Bhaudin		
16		Dhani P. Singh	Rural
17		Sangar-I	Rural
18		Village Bhaudin	Mixed Urban
19		Sangar-II	Rural
20		Dhani Lilu Ram	Rural
21		Kotli (33 KV Bhaudin)	Rural
22		Biran Bhaudin	Rural
23		Nadha	Rural
24		Bhaudin	Rural

Sub-Urban Divn. Sirsa**Sub-Urban S/Divn. Sirsa**

	220 KV Sirsa		
1		Begu (220 KV Sirsa)	Rural
2		Handi Khera	Rural
3		Dhani Varecha	Rural
	132 KV Sirsa		
4		Bajekan	Rural
	132 KV Sikanderpur		
5		Ther	Rural
6		Sikanderpur	Rural
7		Vaidwala	Rural
8		Moriwala	Rural
9		Hospital	Independent (Essential)
10		Hisar Raod	Rural
11		Phoolkan	Rural
	132 KV Mela Ground		
12		Kanganpur	Rural
	33 KV Farwain		
13		Panihari	Rural
14		W/Works HUDA	Mixed Urban
15		Darbi	Rural
16		Kasan Khera	Rural
17		NejaDella	Rural
18		Rural	Rural
	33 KV Darbi		
19		Sanghar	Rural
20		Rasulpur	Rural
21		Biran	Rural
22		Sotar	Rural
	33 KV Rasulpur Their		
23		Their	Rural
24		Sakar Khera	Rural
25		Dabar	Rural
	Nathusari S/DIVN.		
	132 KV Begu		
1		Dera Sacha Sauda	Rural
2		Nitrogenb Plant	Mixed
3		Begu (132 KV)	Rural
4		Rangri	Rural
5		Arniawali	Rural
6		Chouburja	Rural
7		Rural	Rural
	33 KV Nathusari		
8		Kagdana	Rural
9		Darba	Rural
10		Nahrana	Rural
11		Shahpuria	Rural
12		Jamal	Rural
	33 KV Kasumbi		
13		Sherpura	Rural
	Ellenbad S/Divn.		
	132 KV Mithi Surera		
1		MSR	Rural
2		Dhani Lakha Ji	Rural
3		Sirsa Road Ellenabad	Mixed Urban
4		Mithanpura	Rural
5		Mithi Sureran	Rural
6		Moju Khera	Rural
7		Nohar Road	Mixed Urban
8		Budhi Meri	Rural
	33 KV Ellenabad		
9		Teliwara	Rural
10		Railway	Urban
11		City	Urban
12		Amritsar	Rural
13		Thobrian	Rural

	33 KV Bhuratwala		
14		Umedpura	Rural
15		Bhuratwala	Mixed Urban
16		Musli	Rural
17		Kunthal	Rural

Jiwan Nagar S/Divn.

	132 KV Jiwan Nagar		
1		Hamia	Rural
2		Dudianwali	Rural
3		Jagmalera	Rural
4		Mastan Garh	Rural
5		Bahiya	Rural
6		Mandi Jiwan Nagar	Mixed Urban
7		Haripura	Rural
	132 KV Kariwala		
8		Damdama	Rural
9		Bani	Rural
10		Kariwala	Rural
11		Neemwali Dhani	Rural
12		Harni	Rural
13		Neharwala	Rural
14		Budania Ther	Rural
15		Manjil Ther	Rural
16		Mandi Kariwala	Mixed Urban
17		Jagjit Nagar	Rural
	33 KV Keharwala		
18		Sadewala	Rural
19		Urban	Mixed Urban
20		Bhuna	Rural
21		Darewala	Rural
22		Mamera Khera	Rural

Rania S/Divn.

	220 KV Rania		
1		Rural 220 KV Rania	Rural
2		Ottu	Rural
3		Mangalia	Rural
4		Gobindpura	Rural
5		Rampura Their-II	Rural
6		Sultanpuria	Rural
7		Rania	Mixed Urban
8		0.00	Rural
9		Fatehpuria	Rural
10		Dhanoor	Rural
11		Galshale	Mixed Urban
	132 KV Jiwan Nagar		
12		Nakora	Rural
13		Balasar	Rural
14		Nanaksar	Rural
15		Nigrana	Rural

Dabwali Division**Dabwali Sub Division**

	132 KV Dabwali		
1		Mandi-i	Urban
2		Mandi-II	Urban
3		Alikan	Rural
4		Jogewala	Rural
5		Mandi-III	Mixed Urban
6		Sub Station (Defence)	Urban (Essential)
	33 KV Ganga		
7		Bijuwali	Rural
8		Goriwala	Rural

Kalanwali S/Divn.

	33 KV Kalanwali		
1		Lakarwali	Rural
2		Jagmalwali	Rural
3		Kalanwali-II	Rural
4		Taruana	Rural
5		Kalanwali-I	Mixed Urban
	132 KV Odhan		
6		Malikpura	Rural
7		Odhan	Mixed Urban
	33 KV Rori		
8		Mattar	Rural
9		Rori/Surtia	Mixed Urban
10		Dogranwali	Rural
11		Bhima	Rural

Chautala S/Divn.

	132 KV Assa Khera		
1		Aboobshehar	Rural
2		Chautala	Rural
3		Farm House	Rural
4		Jandwala	Rural
	33 KV Ganga		
5		Ganga	Mixed Rural

Fatehabad S/Divn.

	132 KV Ding		
1		Karnoli	Rural
2		Rural	Rural
	33 KV Ding		
3		Gillan Khera	Rural

Total

204

6

Important Telephone Numbers of Distt. Administration Sirsa

Name of officer	Post	Office Tel.	Res. Tel.	Cell No.
S/Shri				
Dr. K.C. Bhardwaj	Vice Chancellor Chaudhary Devi Lal University Sirsa	248052		9896650222
V. Umashankar, IAS	DC Sirsa	248890	248880	9416400944
Pankaj Yadav, IAS	ADC	247235	247810	9812343217
Vikash Arora, IPS	SP Sirsa	247400	247212	9812773000
M.S. Malhotra	ADEO Sirsa	247899		9416278869
Charanjeet	BDPO Baragudha	245230		9416875997
Darshan Singh	BDPO Chopta	256153		9416347403
Kartar Singh	BDPO Dabwali	231153		9416659906
Kulbhushan Bansal	BDPO Ellenabad	220063		
Balraj Singh	BDPO Odhan	251247		9416355792
Balraj Singh	BDPO Rania	250326		9416355792
Darshan Singh	BDPO Sirsa	220483		9416347403
	City Magistrate	248881	247645	
Dr. P.R. Kayasth	CMO	240155	240669	9416278031
	D.C.W.O.	222602		
Pradeep Meel	D.D.A.	220371	221683	9416164940
Sri Kishan Mayal	D.D.P.O.	248883	247317	9813049149
Sheela Bhakar	D.E.O.	247538		9812094184
	D.E.T.C.	247621	247128	
Raj Kumar Kajla	D.F.O.	243307	243315	9416231289
R.C. Madan	D.F.S.C.	148422	247722	9416045001
Atam Parkash	D. Hort. Officer	231285		9896346632
	D.M. Agro	220609		9416356612
	D.M. Confed	221476	243347 Hsr.	
Om Parkash	D.M. Hafed	240856	240174	9416396063
Satish Kumar	D.P.R.O.	247201	247246	9354222213
O.P. Verma	D.R.O.	248882	247300	9812058233
	DSP Dabwali	222969	226579	
Phool Singh, HPS	DSP Ellenabad	220291	220292	9416496628
Shiv Charan, HPS	DSP H.Qr.	247456	223074	9416359843
Alka Yadav	D.S.W.O.	247610		9416265567
Beena Sharma	D. Sports Officer	242652	247471	325061
Satyawir Sangwan	D.T.P.	248068	248168	9416287808
Sumitra Mehta	D.W.O.	248891		9896134368
Raman Sardana	Distt. Atoorney	247101		9416380095
Dr. R.K. Kaushik	Dy. Director AH	245007	247383	9255142775
Neki Ram Bishnoi	E.O. M.C. Sirsa	220525	220324	9215797974
Ram Kumar	G.M. DIC	247650		
Parkash Lal	N.T. Elections	148886		9416310009
D.P. Malik	P.O.ICDC	247439	227516	9416028602
D.S. Malhan	G.M. DHBVN	238400	238401	9812190009
N.K. Goyal	S.E. Irrigation	220106	220605	9416897864

Important Telephone Numbers of Distt. Administration Sirsa

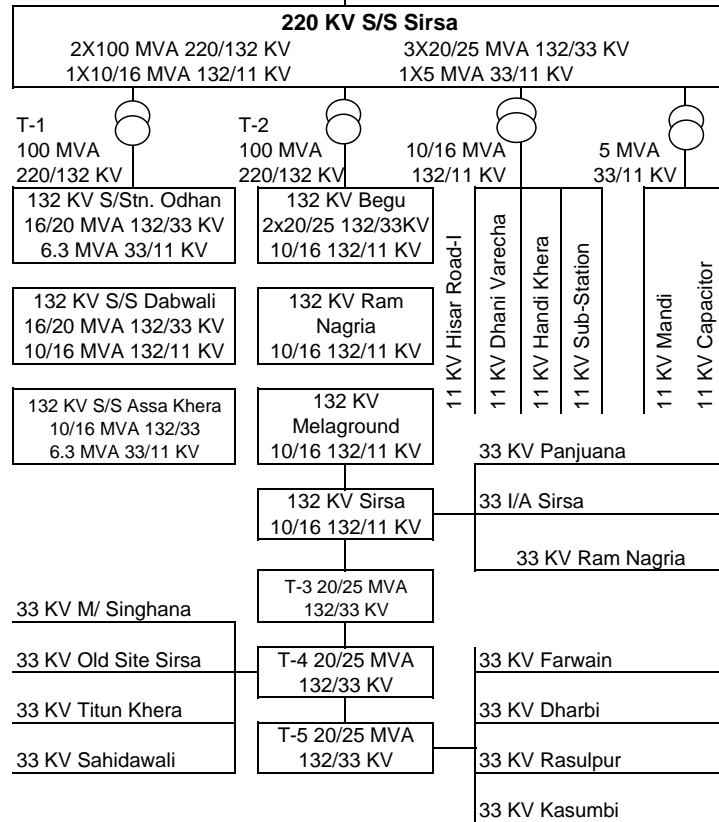
Name of officer S/Shri	Post	Office Tel.	Res. Tel.	Cell No.
R.P. Gupta	S.E. Public Health	247100	228101	9416001388
Parduman Kumar	Secy. Red Cross	218637	234551	9812434551
	Secy. MC Dabwali.	222623		9416263459
	Secy. MC E/Bad.	220352		9416352016
	Secy. MC K/wali	222018		9416263459
	Secy. MC Rania	250026		
Hawa Singh	Secy Mkt. Comm. Sirsa.	220613	220419	9416282686
Jai Dev Bishnoi	Supdt. Jail	247885	247685	
Amarjit Singh	Tehsildar Dabwali	230035	227119	9255530934
Vijuender Bhardwaj	Tehsildar Ellenabad	220289		9812207045
Brahm Parkash	Tehsildar Rania	250279		9416337797
D.P. Bishnoi	Tehsildar Sirsa	247130	247707	9416264504
R.K. Jain	DGM DHBVN, City Sirsa	238405		9812063013
I.D. Mehta	DGM DHBVN, S/U Sirsa	238403		9812215200
C.L. Ganda	XEN Ghaghar	221321	234895	9416173339
Gopi Chand Sharma	XEN Mktg. Board	240743	221559	9416264348
S.K. Rajvanshi	XEN Nehrana	221259		9416309697
Sohan Singh	XEN Panchayati	247479	247373	9416363307
T.C. Gupta	XEN PH-I Sirsa	221750	220561	9896128464
B.D. Bhankal	XEN PH-I Sirsa	221925	229862	9416216223
Saijan Singh	XEN PWD B&R-I	220530	220442	9416496777
Chander Mohan	XEN PWD B&R-II	222959		9812181031
S.S. Hooda	XEN Rori Division.	220426	231347	9416363307
B.S. Sadyora	XEN Sirsa Division.	220513	234349	9416351187

List of SHOs Police Station Incharge in Sirsa District

Name of officer S/Shri	Post	PS Tel. No.	Cell No.
Vikash Arora, IPS	SP Sirsa	01666-247212	9812773000
Shiv Charan, HPS	DSP H.Qr. Sirsa	01666-247456	9812773200
	DSP H.Qr. Dabwali	01668-222969	9812207045
Phool Singh, HPS	DSP Ellenabad	01698-220291	9416496628
Anil Kumar Lohia	ADA DPO Sirsa		9416253360
Madan Lal H/85	SHO City Sirsa	01666-220100	9812773700
Ram Singh 130/H	SHO Sadar Sirsa	01666-221100	9812773800
Shish Ram 241/H	SHO City Dabwali	01668-226998	9812774100
Balbir Singh H/23	SHO Sadar Dabwali	01668-226060	9812774200
Amit Beniwal	SHO City Rania	01698-250233	9812774600
Joginder Singh	SHO Nathusari Chopta	01666-256133	9812774800
Vinod Kumar	SHO Ellenabad	01698-220066	9812774500
Mouji Ram A/132	SHO Ding	01666-273044	9812773900
Ishwar Singh 263/H	SHO Bara Gudha	01696-245247	9812774700
Mahender Singh RR/6	SHO Kalanwali	01696-222064	9812774300
Jagdish Chander 319/H	SHO Odhan	01696-251350	9812774400
Dalip Singh	SHO Rori	01696-240229	9812774000
Manoj Kumar	SHO PS Traffic	01666-243299	9812774900

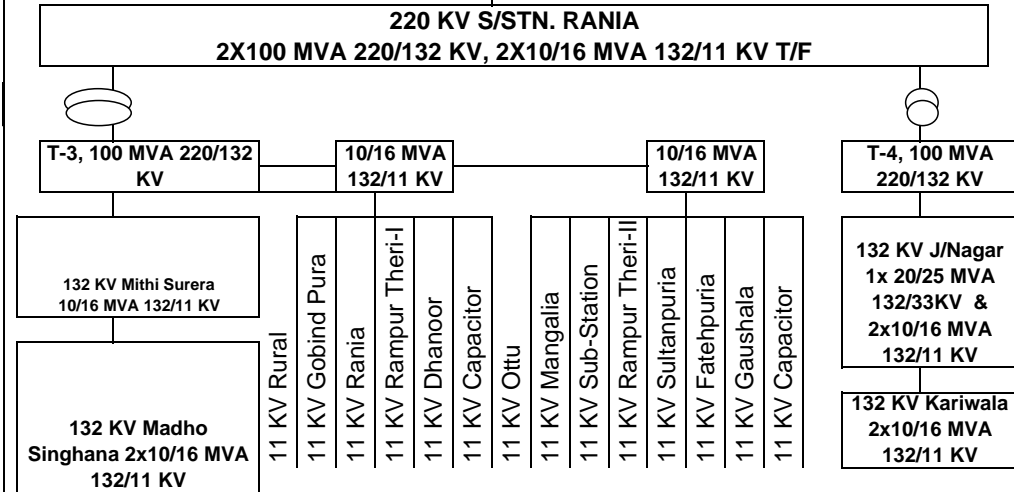
SCHEMATIC DIAGRAM OF 220 KV SUB-STATION SIRSA

SUPPLY FROM 220 KV S/STN. NARWANA



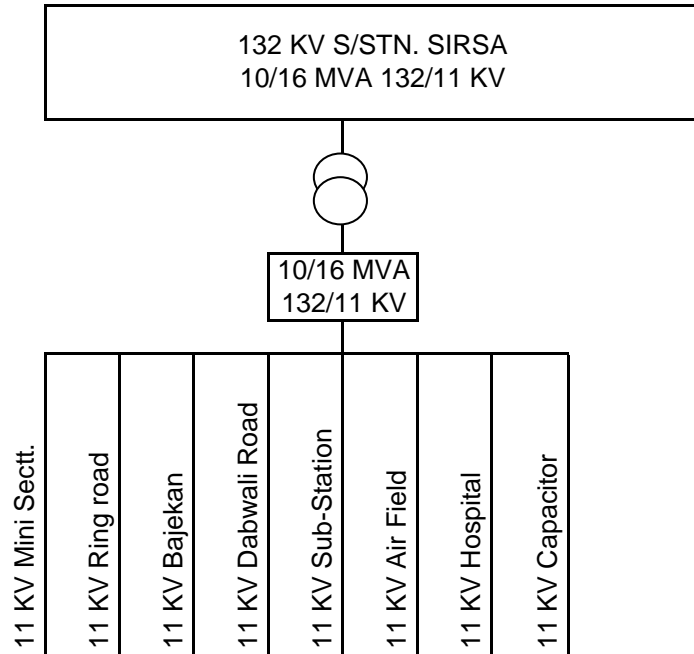
SCHEMATIC DIAGRAM OF 220 KV SUB STATION RANIA

SUPPLY FROM 220 KV S/STN. Fatehabad



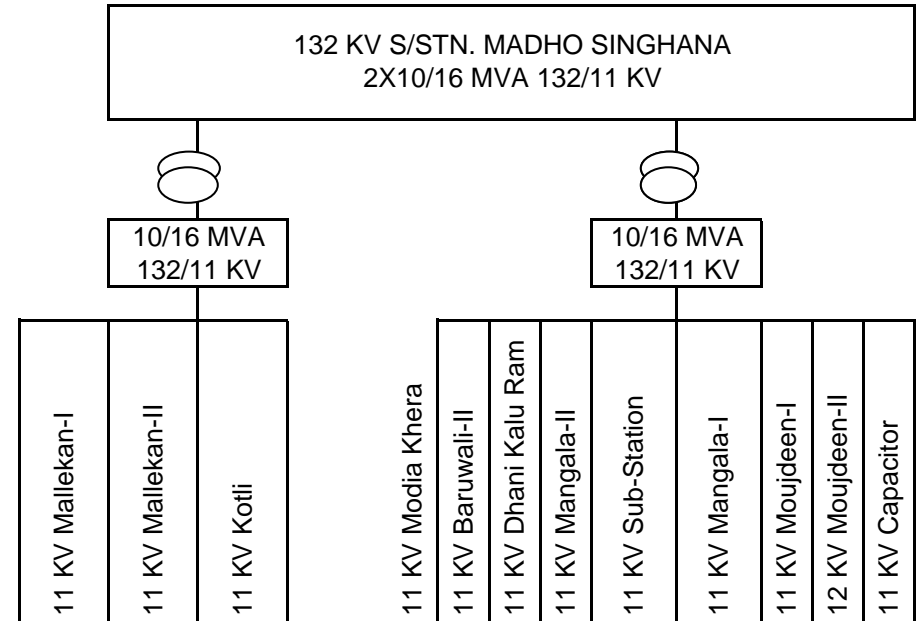
SCHEMATIC DIAGRAM OF 132 KV S/STN. SIRSA

SUPPLY FROM 220 KV SIRSA



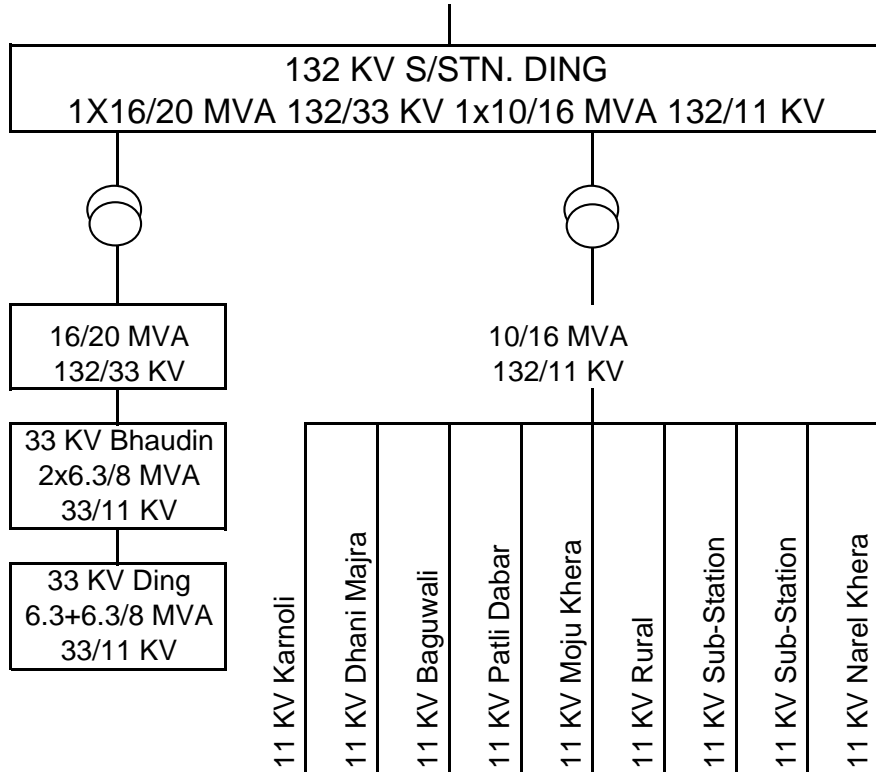
SCHEMATIC DIAGRAM OF 132 KV S/STN. MADHO SINGHANA

SUPPLY FROM 220 KV SIRSA



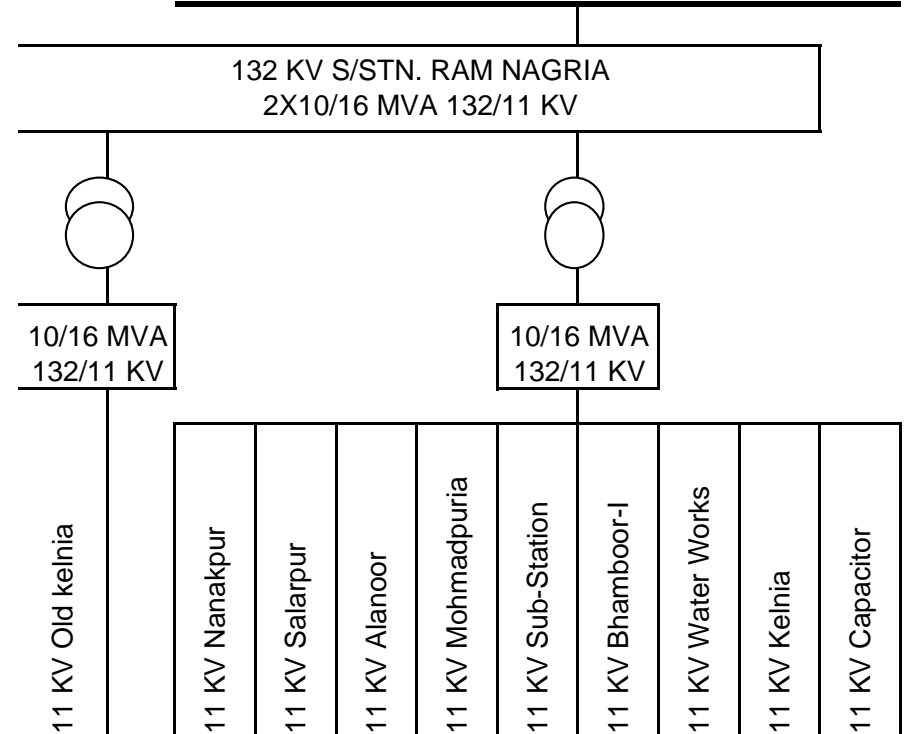
SCHEMATIC DIAGRAM OF 132 KV SUB STATION DING

SUPPLY FROM 220 KV I.A. Hisar



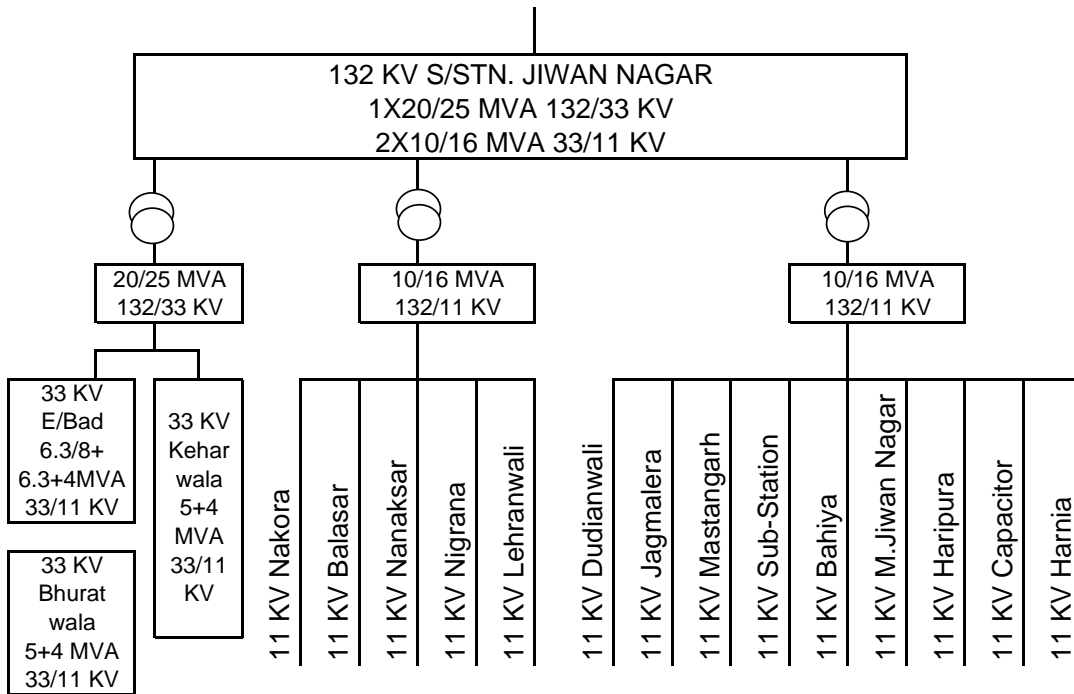
SCHEMATIC DIAGRAM OF 132 KV S/STN. RAM NAGRIA

SUPPLY FROM 220 KV SIRSA



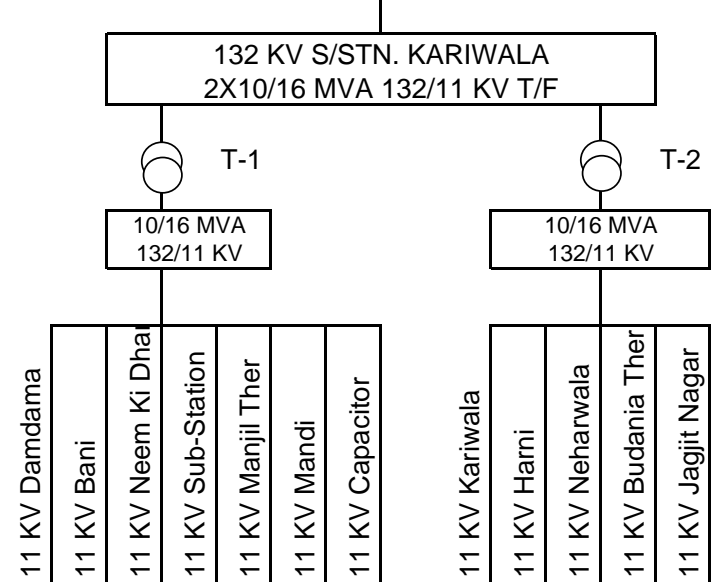
SCHEMATIC DIAGRAM OF 132 KV SUB STATION JIWAN NAGAR

SUPPLY FROM 132 KV S/STN. JIWAN NAGAR



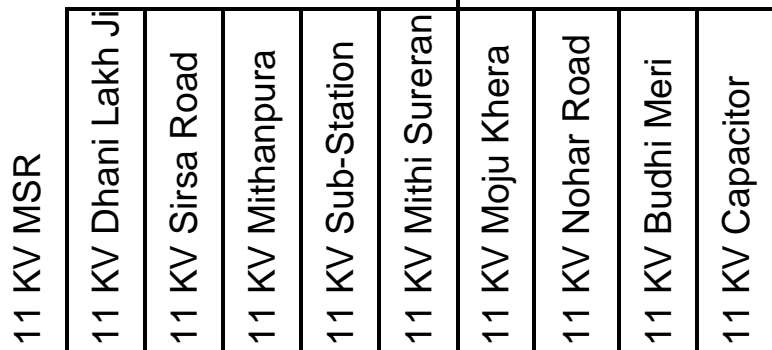
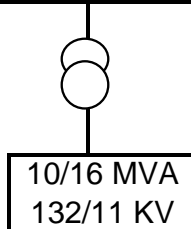
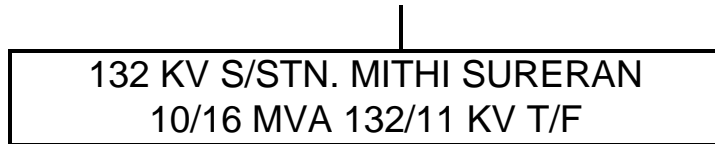
SCHEMATIC DIAGRAM OF 132 KV SUB STATION KARIWALA

SUPPLY FROM 220 KV S/STN. SIRSA



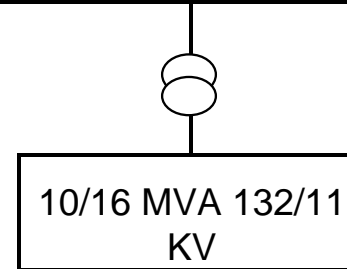
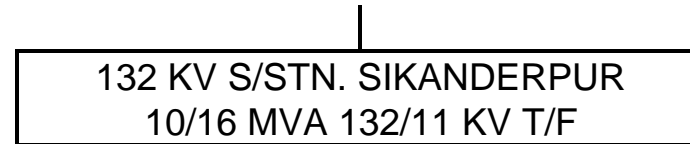
SCHEMATIC DIAGRAM OF 132 KV SUB STATION MITHI SURERA

SUPPLY FROM 220 KV S/STN. RANIA



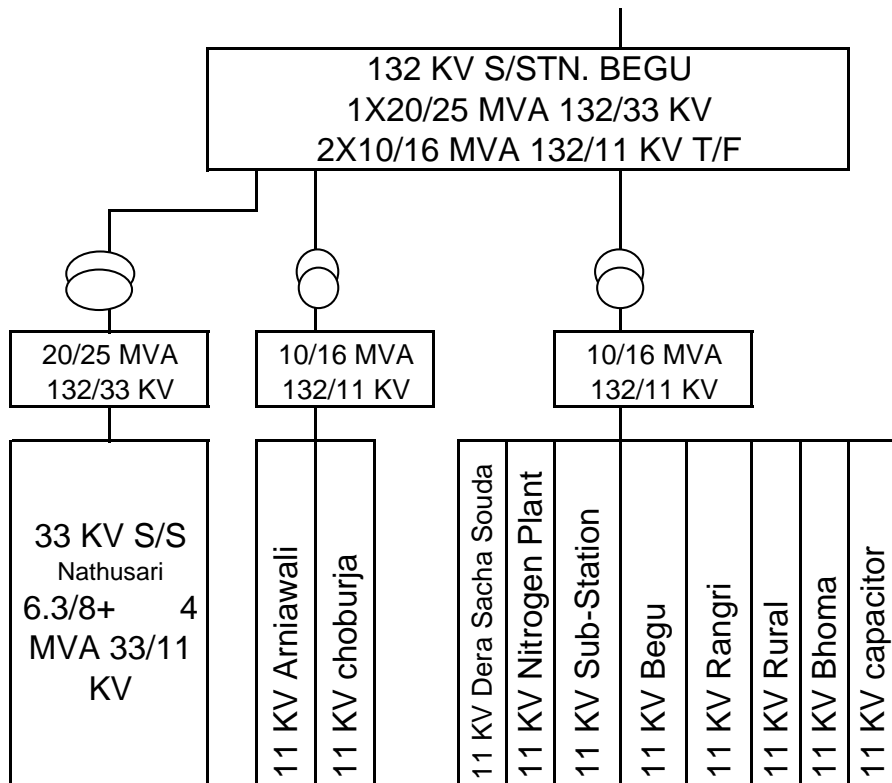
SCHEMATIC DIAGRAM OF 132 KV SUB STATION SIKANDERPUR

SUPPLY FROM 220 KV S/STN. I/A Hisar



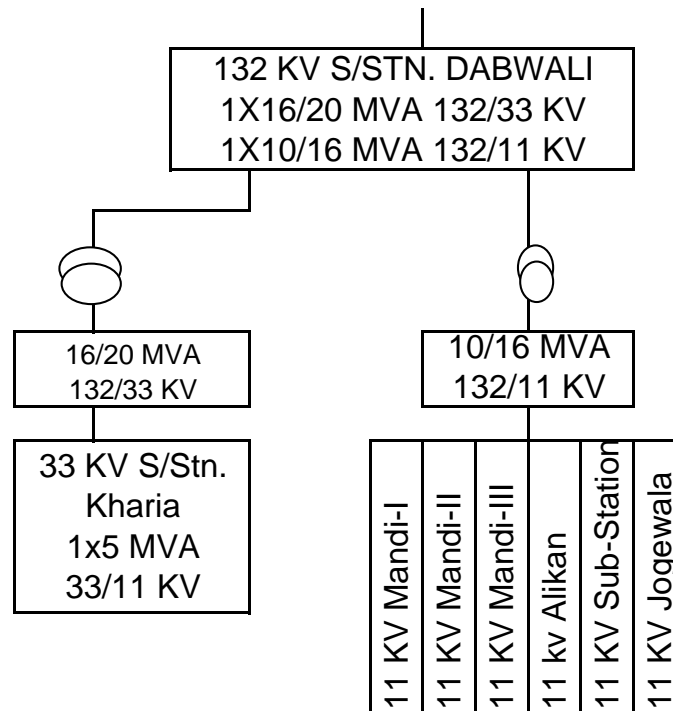
SCHEMATIC DIAGRAM OF 132 KV SUB STATION BEGU

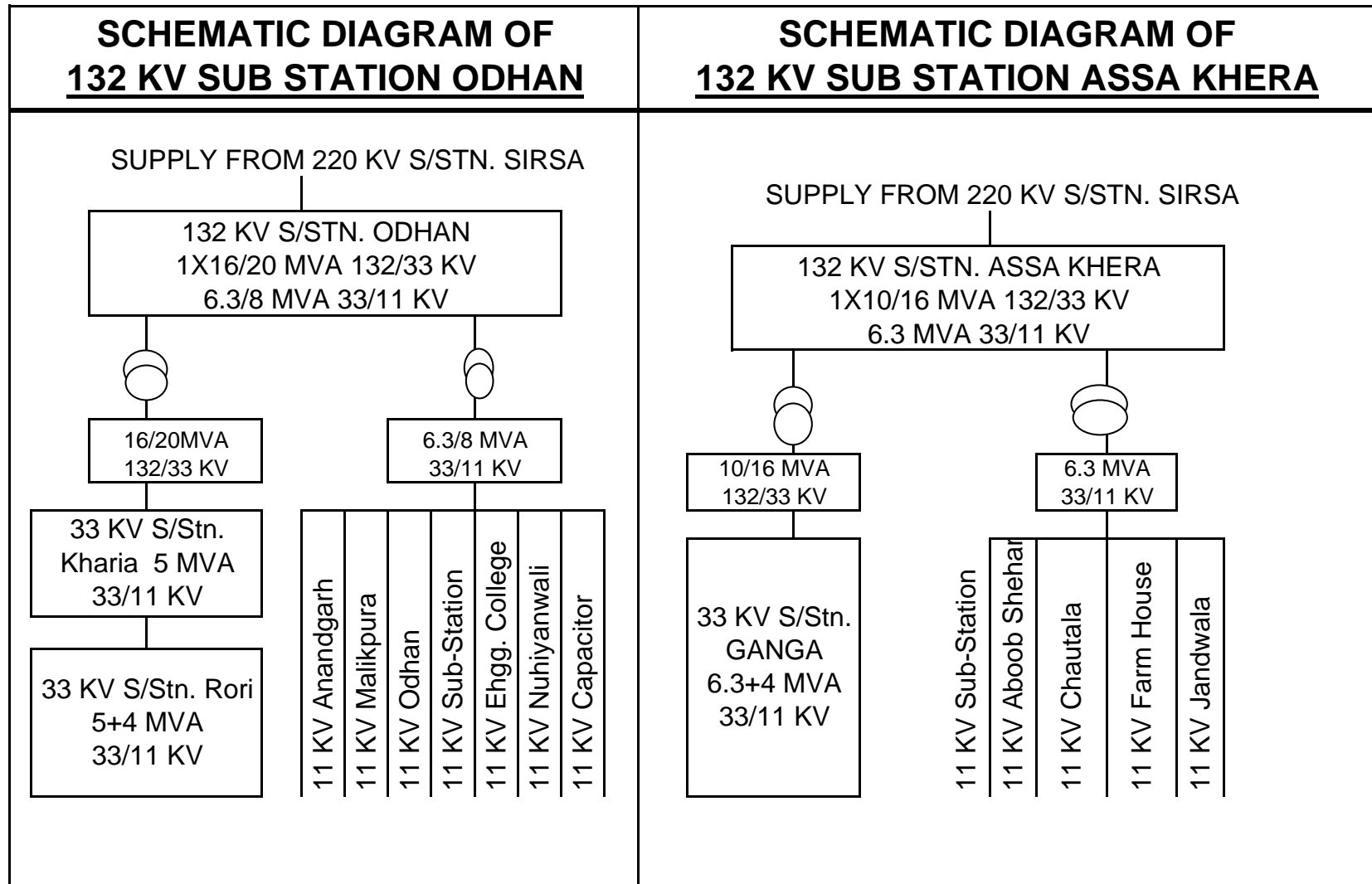
SUPPLY FROM 220 KV S/STN. SIRSA



SCHEMATIC DIAGRAM OF 132 KV SUB STATION DABWALI

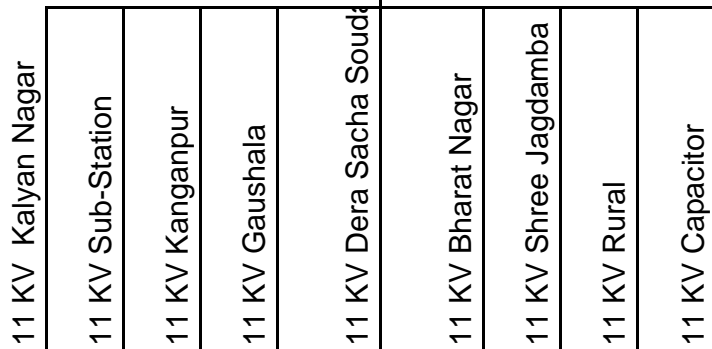
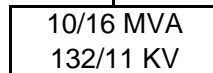
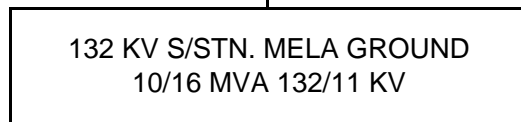
SUPPLY FROM 220 KV S/STN. SIRSA





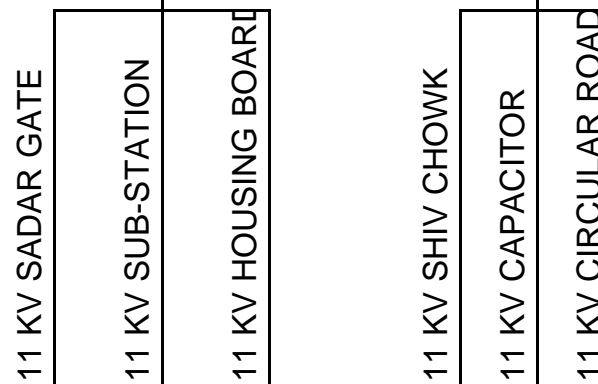
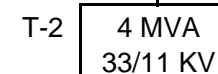
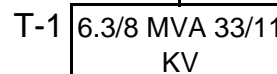
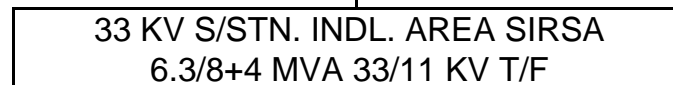
SCHEMATIC DIAGRAM OF 132 KV S/STN. MELA GROUND

SUPPLY FROM 220 KV SIRSA



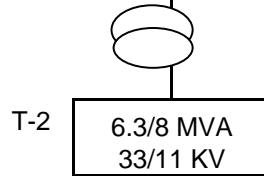
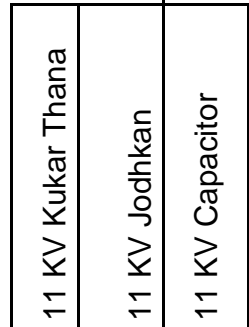
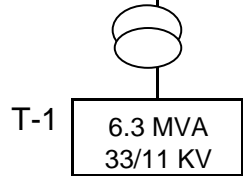
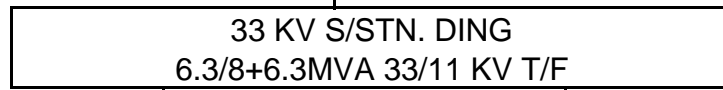
SCHEMATIC DIAGRAM OF 33 KV SUB STATION INDL. AREA SIRSA

SUPPLY FROM 220 KV S/STN. SIRSA



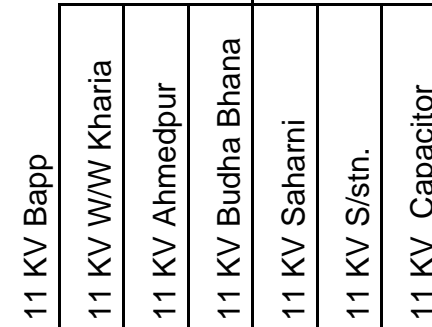
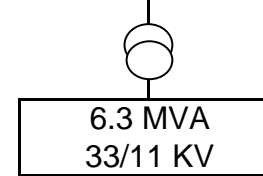
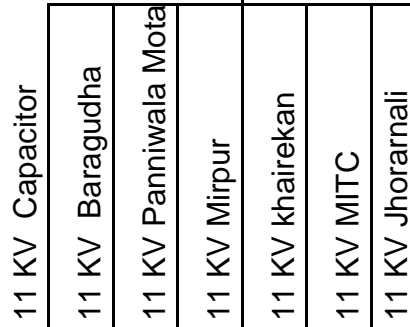
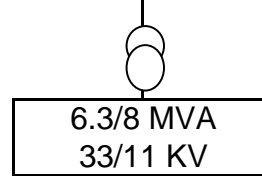
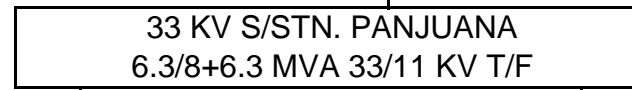
SCHEMATIC DIAGRAM OF 33 KV SUB STATION DING

SUPPLY FROM 132 KV S/STN. DING



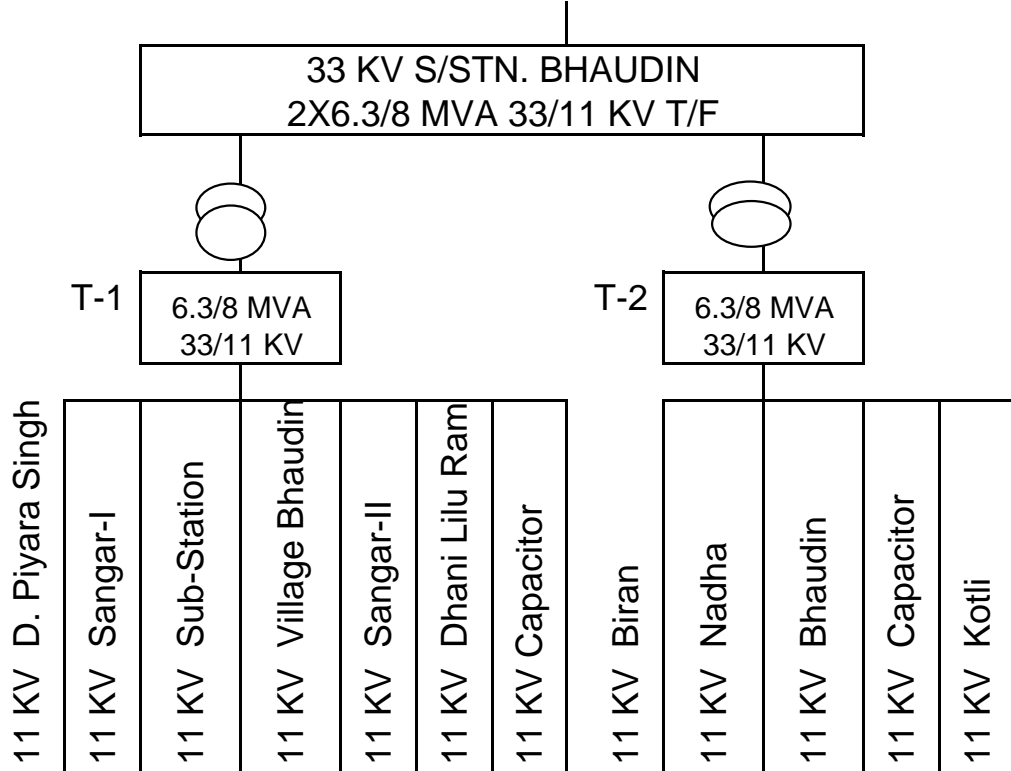
SCHEMATIC DIAGRAM OF 33 KV SUB STATION PANJUANA

SUPPLY FROM 220 KV S/STN. SIRSA



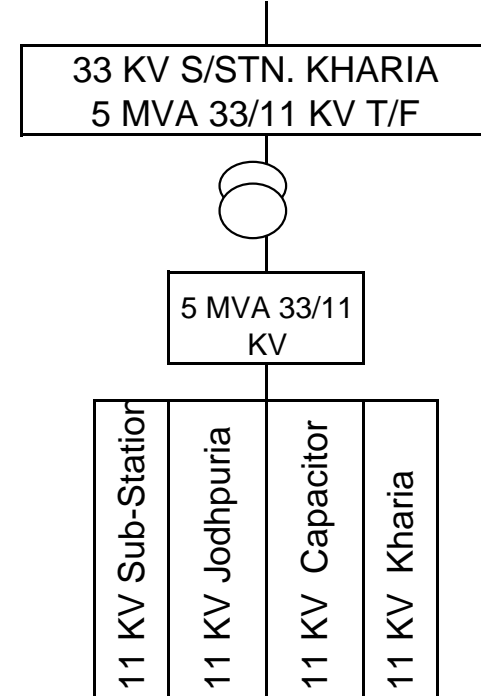
SCHEMATIC DIAGRAM OF 33 KV SUB STATION BHAUDIN

SUPPLY FROM 132 KV S/STN. DING



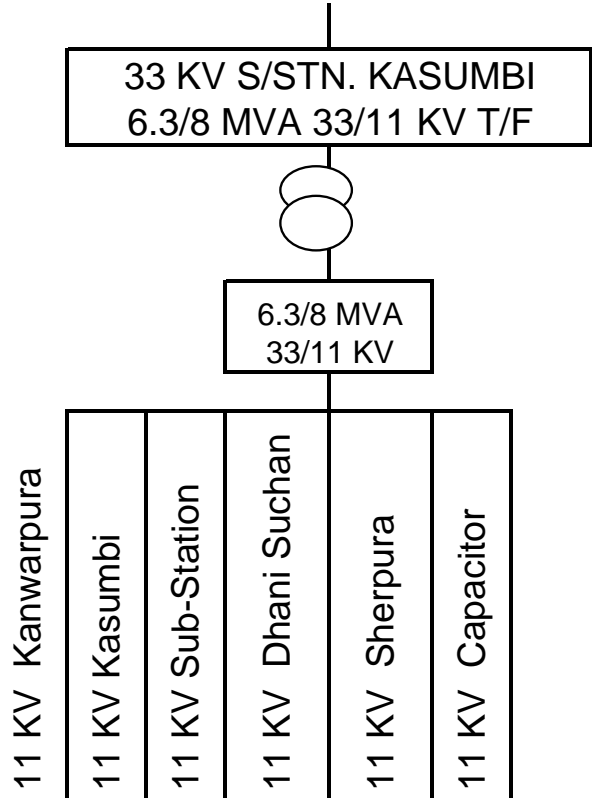
SCHEMATIC DIAGRAM OF 33 KV SUB STATION KHARIA

SUPPLY FROM 132 KV S/STN. DABWALI



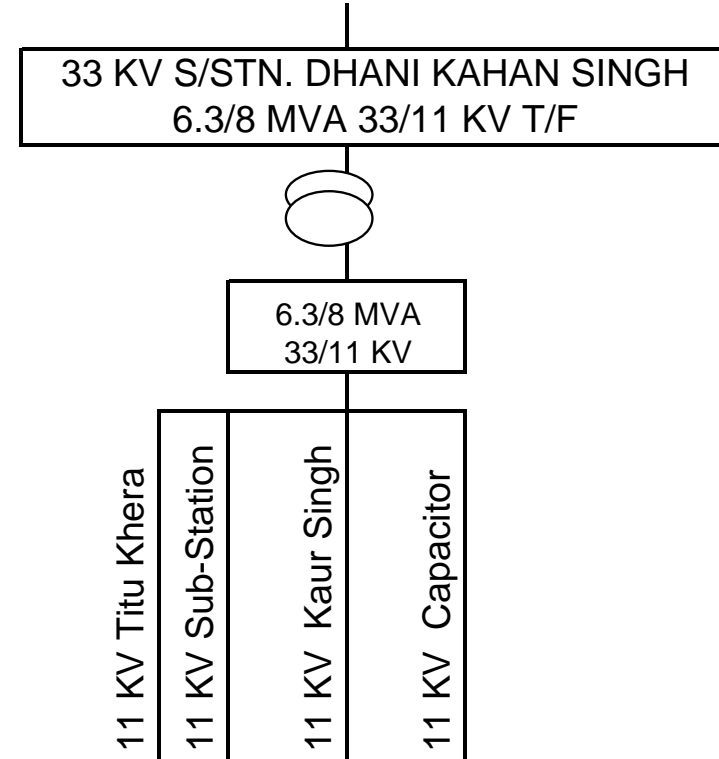
SCHEMATIC DIAGRAM OF 33 KV SUB STATION KASUMBI

SUPPLY FROM 220 KV S/S SIRSA



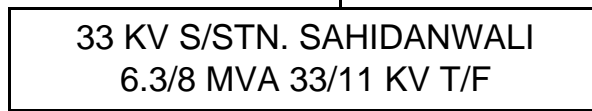
SCHEMATIC DIAGRAM OF 33 KV SUB STATION DHANI KAHAN SINGH

SUPPLY FROM 220 KV S/STN. SIRSA

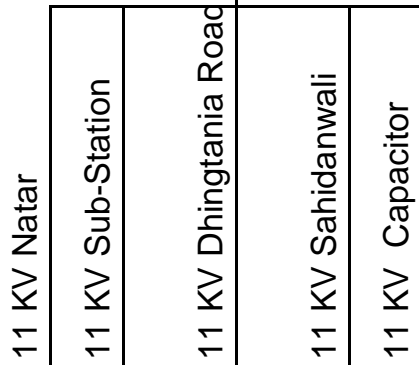


**SCHEMATIC DIAGRAM OF
33 KV SUB STATION SAHIDANWALI**

SUPPLY FROM 220 KV S/STN. SIRSA

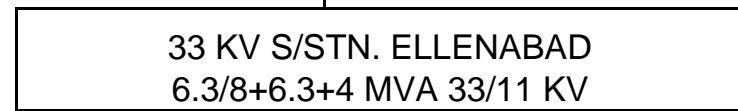


6.3/8 MVA 33/11
KV



**SCHEMATIC DIAGRAM OF
33 KV SUB STATION ELLENABAD**

SUPPLY FROM 132 KV S/STN. JIWAN NAGAR



T-1



6.3 MVA
3/11 KV

11 KV Talwara

T-2



4 MVA
33/11 KV

11 KV Railway
11 KV Sub-Station
11 KV City

T-3

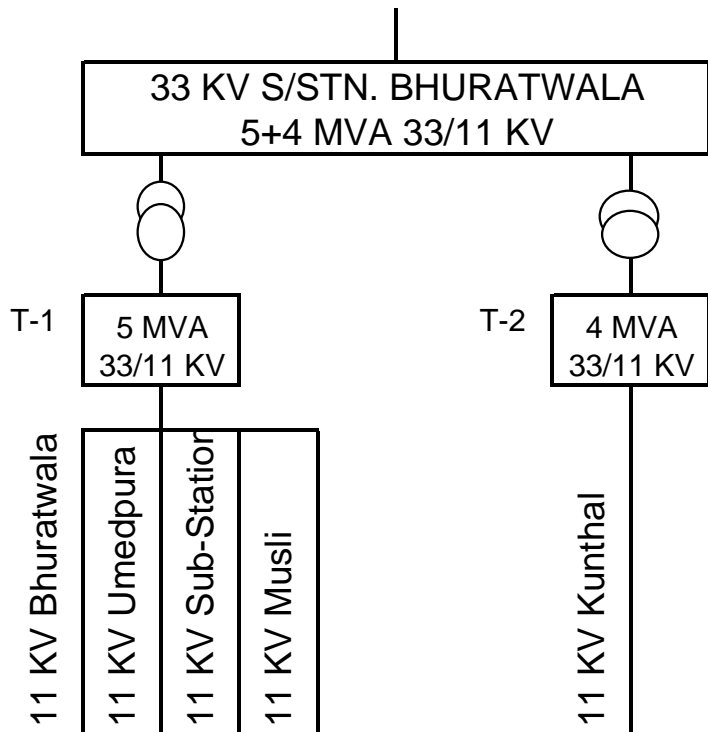


6.3/8 MVA
33/11 KV

11 KV Amritsar
11 KV Thobria

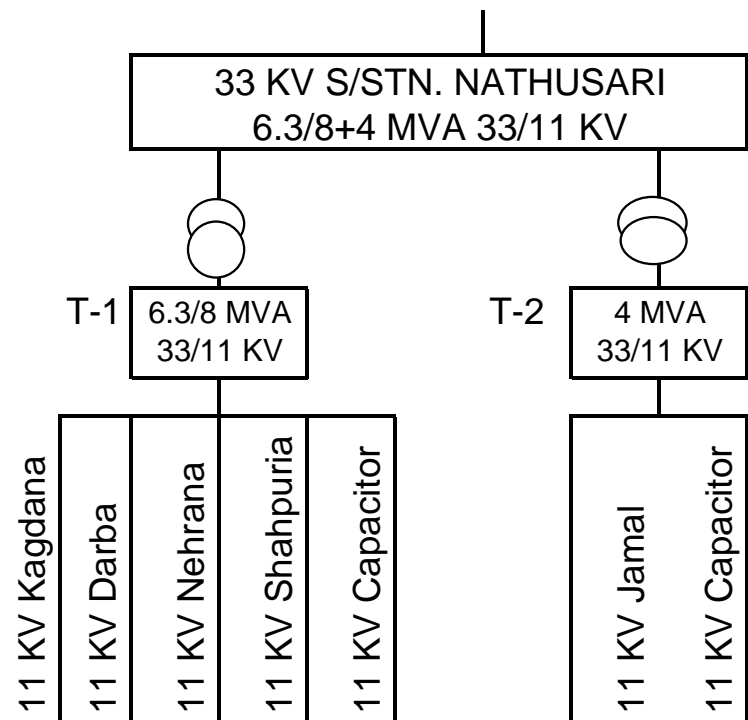
SCHEMATIC DIAGRAM OF 33 KV SUB STATION BHURATWALA

SUPPLY FROM 132 KV S/STN. JIWAN NAGAR

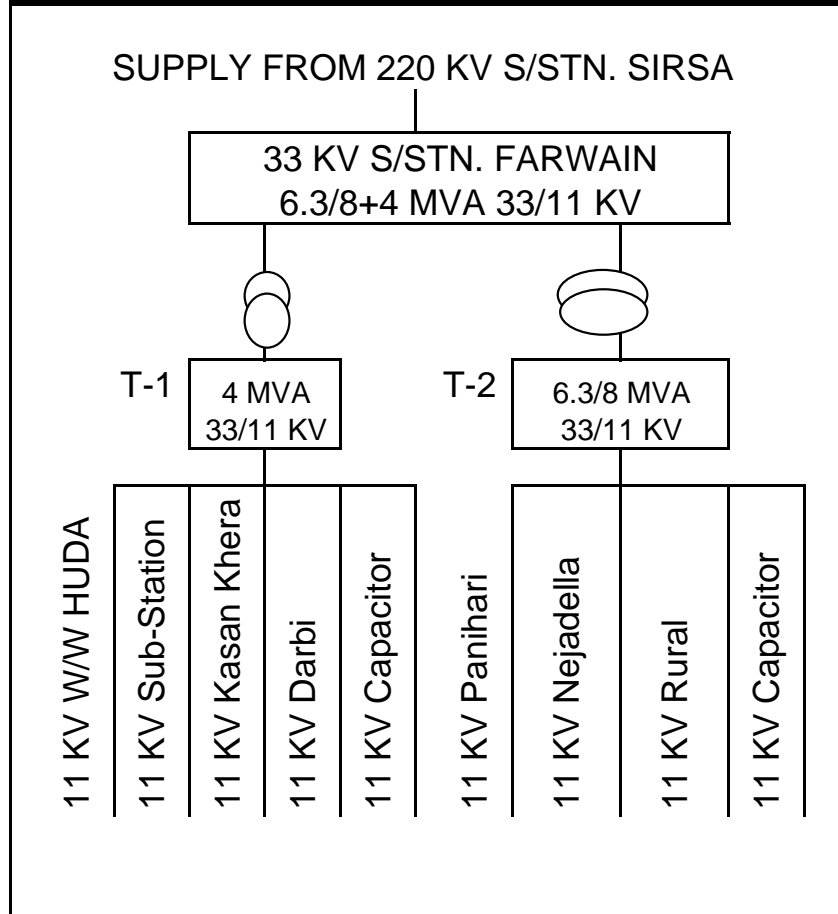


SCHEMATIC DIAGRAM OF 33 KV SUB STATION NATHUSARI

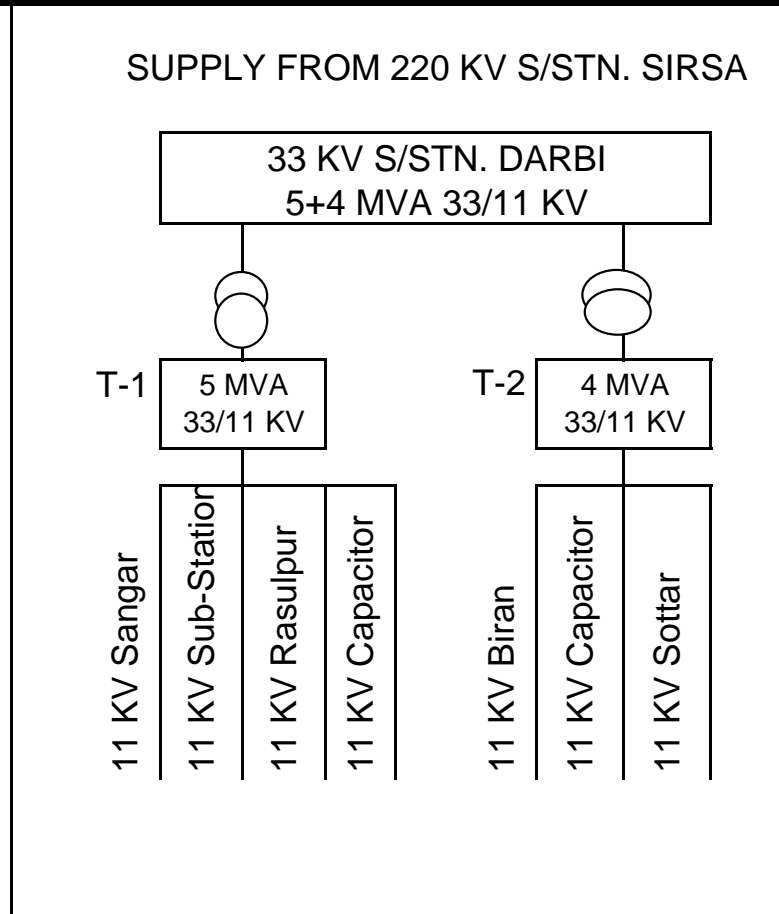
SUPPLY FROM 132 KV S/STN. BEGU



SCHEMATIC DIAGRAM OF 33 KV SUB STATION FARWAIN

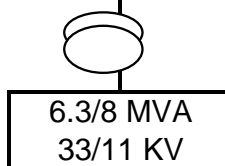
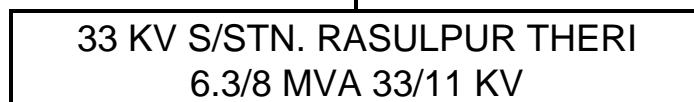


SCHEMATIC DIAGRAM OF 33 KV SUB STATION DARBI



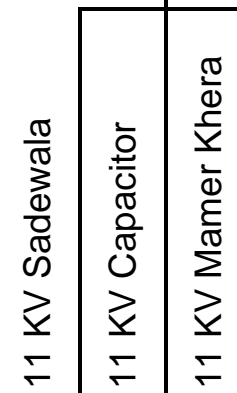
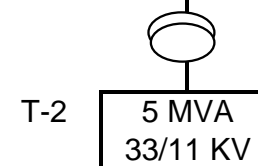
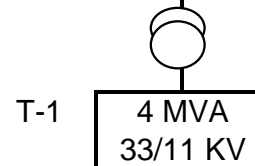
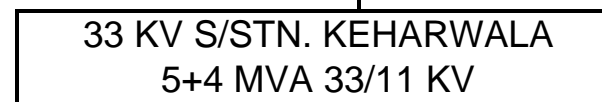
**SCHEMATIC DIAGRAM OF
33 KV SUB STATION RASULPUR THERI**

SUPPLY FROM 220 KV S/STN. SIRSA

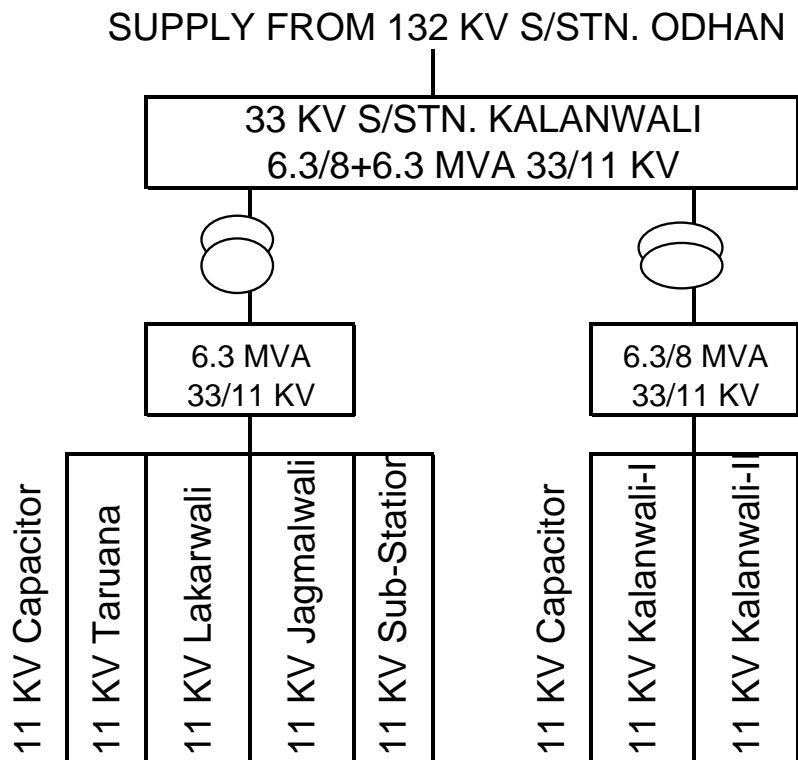


**SCHEMATIC DIAGRAM OF
33 KV SUB STATION KEHARWALA**

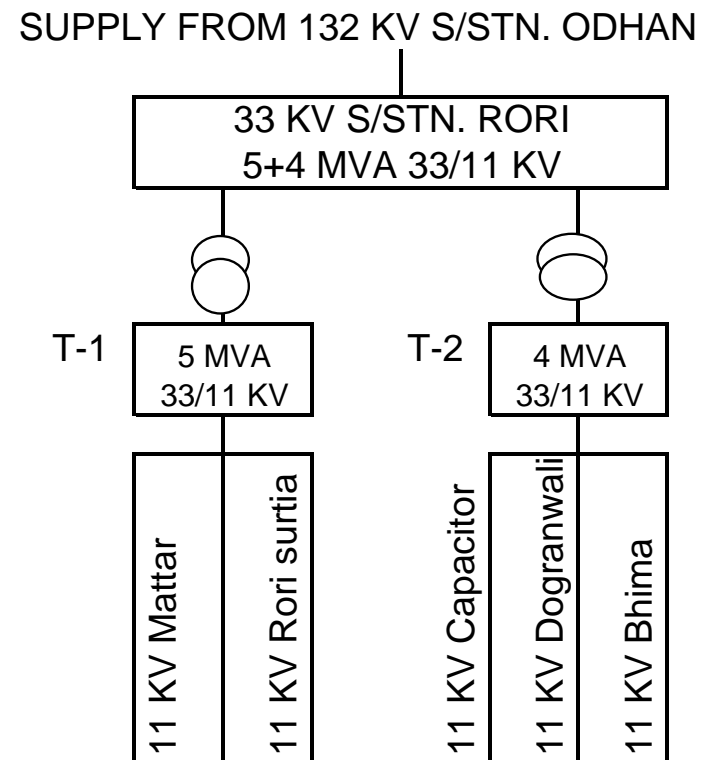
SUPPLY FROM 132 KV S/STN. JIWAN NAGAR



SCHEMATIC DIAGRAM OF 33 KV SUB STATION KALANWALI

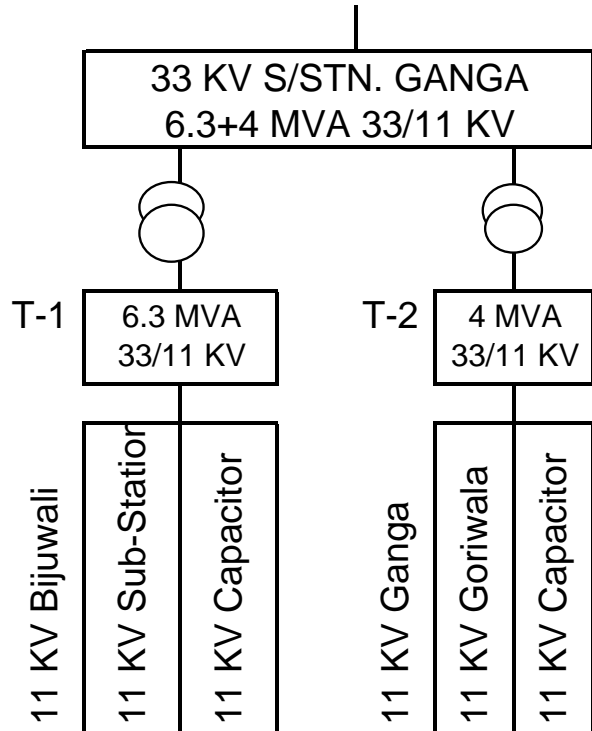


SCHEMATIC DIAGRAM OF 33 KV SUB STATION RORI



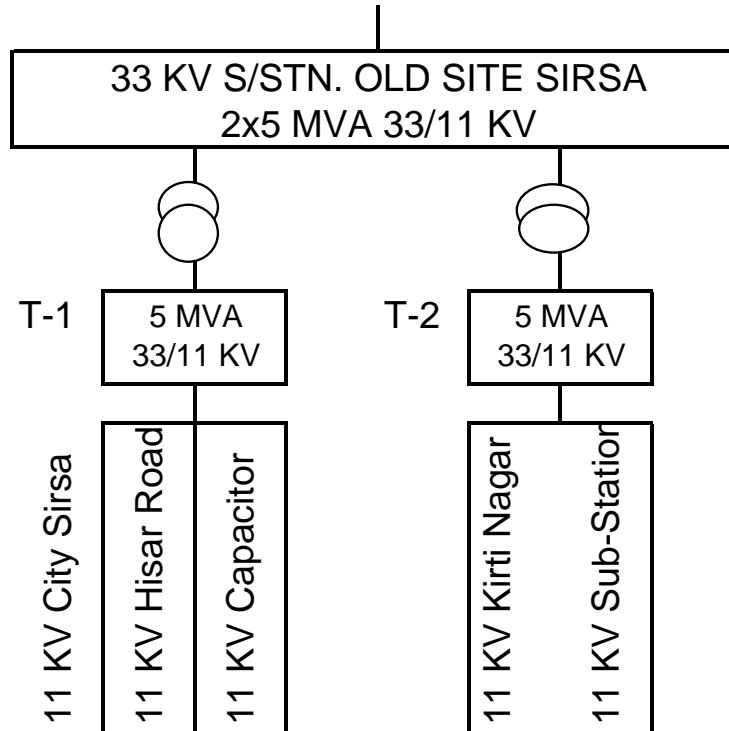
SCHEMATIC DIAGRAM OF 33 KV SUB STATION GANGA

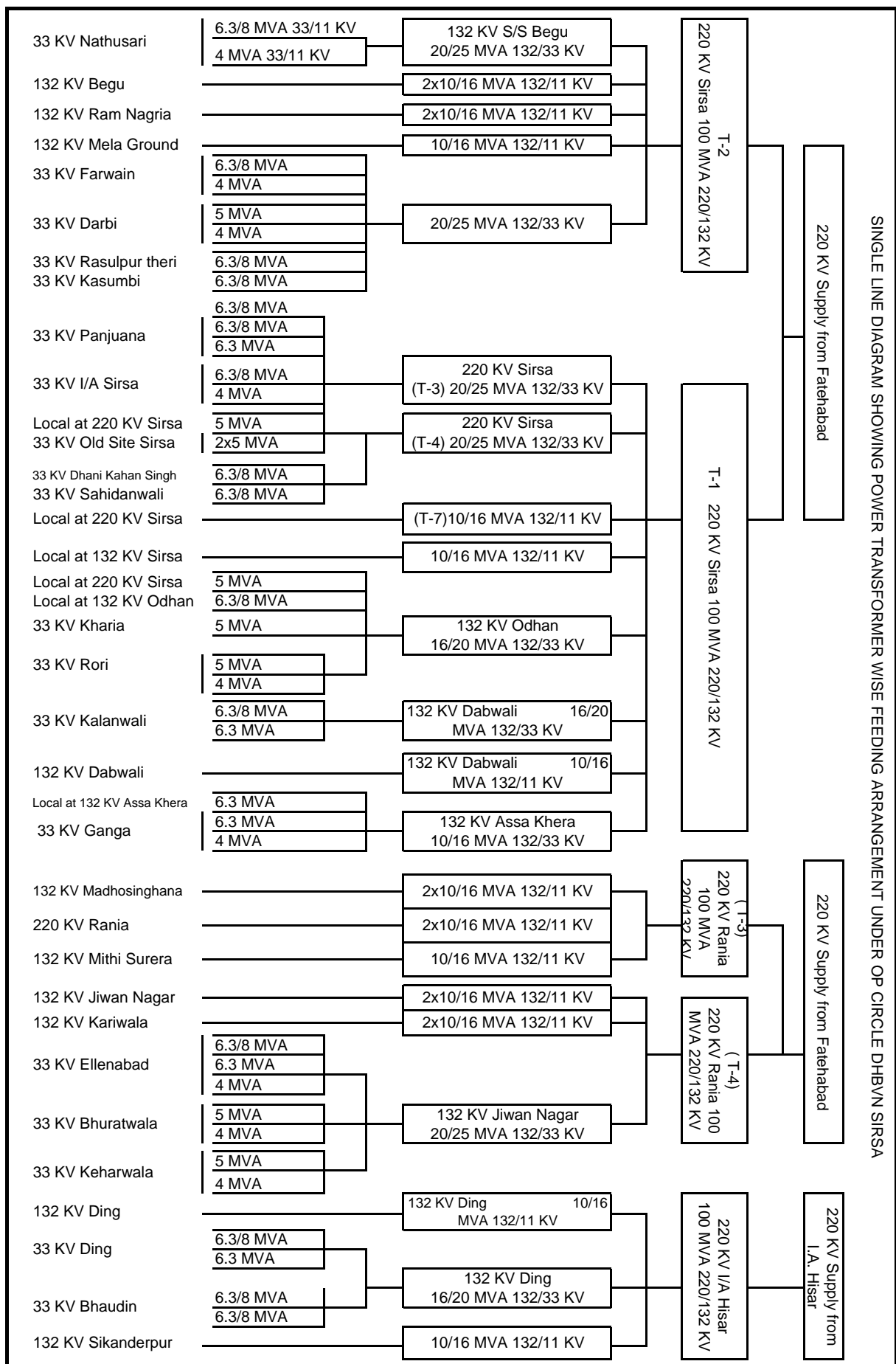
SUPPLY FROM 220 KV S/STN. SIRSA



SCHEMATIC DIAGRAM OF 33 KV SUB STATION OLD SITE SIRSA

SUPPLY FROM 220 KV S/STN. SIRSA





10 Important Telephone Numbers in respect of OP Circle, DHBVN, Sirsa					
Sr. No.	Name of Office	STD Code	Office	Residence	Mobile No.
1	G.M. OP Circle, Sirsa	1666	238400	238401	9812190009
		1666	Fax-238402	-	-
2	DGM OP City Divn. Sirsa	1666	238405	238456	9812063013
3	AGM City S/Divn. Sirsa	1666	238407	238408	9812063015
4	AGM I.A. S/Divn. Sirsa	1666	238409	238438	9812063014
5	AGM OP S/Divn. Panjuana	1666	252536	247021	9812452822
6	AGM OP S/Divn. Ding	1666	273884	273885	9812452815
7	AGM OP S/Divn. M/Singhana	1666	274315	238451	9812452804
8	DGM OP S/U Divn. Sirsa	1666	238403	238435	9812215200
9	AGM OP S/Divn. Rania	1698	250346	250345	9812452779
10	AGM OP S/Divn. Ellenabad	1698	220049	221340	9812452797
11	AGM OP S/Divn. Nathusari	1666	256138	-	9812452788
12	AGM OP S/Divn. S/U Sirsa	1666	238410	238490	9812215214
13	AGM OPS/Divn. J/Nagar	1698	272992	238444	9812452770
14	DGM OP Divn. Dabwali	1698	226083	227945	9812452800
15	AGM OP S/Divn. Dabwali	1698	227173	226905	9812452831
16	AGM OP S/Divn. Kalanwali	1696	222005	222003	9812452841
17	AGM OP S/Divn. Chautla	1668	250253	227084	9812452853
18	DGM Works Sirsa	1666	238416	-	9812452537
19	AGM D/Store Sirsa	1666	238414	-	-
20	AGM TRW Sirsa	1666	238415	-	-
21	DGM TS HVPN Sirsa	1666	238426	-	-

Telephone Directory (Contact Number of 220/132 & 33 KV S/Stn. Under OP Circle, DHBVN, Sirsa			
Sr. No	Name of S/Stn.	STD Code	Telephone No.
1	220 KV Sirsa	1666	238429
2	132 KV Sirsa	1666	238430
3	132 KV M/Singhana	1666	274548
4	132 KV Ding	1666	273836
5	132 KV Ram Nagria	1666	241002
6	132 KV Melaground	1666	238421
7	220 KV Rania	1698	250349
8	132 KV Mithi Surera	1698	220843
9	132 KV Jeewan Nagar	1698	272248
10	132 KV Sikenderpur	1666	250824
11	132 KV Begu	1666	238471
12	132 KV Kariwala	1698	274792
13	132 KV Dabwali	1668	226075
14	132 KV Odhan	1696	251322
15	132 KV Assa Khera	1668	289310
16	33 KV Old Site Sirsa	1666	238417
17	33 KV Indl. Area Sirsa	1666	238418
18	33 KV Ding	1666	254221
19	33 KV Panjuana	1666	252535
20	33 KV Bhaudeen	1666	251136
21	33 KV Kharia	1698	299199
22	33 KV Kasumbi	1666	251718
23	33 KV D.Kahan Singh	1666	257545
24	33 KV Sahidanwali	1666	296773
25	33 KV Ellenabad	1698	220002
26	33 KV Bhuratwala	1698	282335
27	33 KV Keharwala	1698	286365
28	33 KV Farwain	1666	258846
29	33 KV Darbi	1666	250777
30	33 KV Nathusari	1666	256139
31	33 KV Rasulpur Their	1666	250823
32	33 KV Ganga	1668	288322
33	33 KV Kalanwali	1698	222009
34	33 KV Rori	1698	240230

Detail of contact Numbers under OP Circle, DHBVN Sirsa

Sr.No.	Address	Telephone No.	Mobile No.
1	Er.M.R.Sachdeva, DGM/Works,CCC Sirsa	01666-238416	98124-52537
2	33 KV Sub Station Old Site Sirsa	01666-238417	-
3	Bijli Suvidha Kendra	01666-238488, 1912	9812101111
4	C.C.C.Sirsa	01666-238445	-
5	Kath Mandi Complaint Center	-	98122-15202, 98122-15203
6	33 KV Complaint Center (I.A.Sirsa)	01666-238418	98122-15205 98122-15206

Bijli Suvidha Kendra (Staff)

1	Sh.Lakhvinder Singh	-	94161-85664
2	Miss.Poonam Mehta	-	9255538474
3	Sh.Vikash Varma	01666-220578	-
4	Sh. Raj Kumar	01666-226219	-
5	Sh. Deepak verma	-	9255468636
6	Sh Rohtash Kumar	01666-235804	-
7	Sh. Pawan Kumar	-	9896996274
8	Sh. Rakesh Verma	-	9813083103
9	Sh. Prveen Sharma	-	-

Staff at Old 33 KV Sub-Station, Sirsa

1	Sh.Rajender Parshad SSA	01666-243635	-
2	Smt. Kamlesh Kaur, SA	-	9466686800
3	Sh. Devender Singh, SA	-	9466376773
4	Sh. Mahesh Kumar, SA	-	9813320323
5	Sh. Tara Ram, SA (contract basis)	-	-

11

(C) Transmission Line data

Sr. No.	Name of S/Stn. With voltage level		Length of line (in KMs)	Voltage in KV	No. of Circuits	Conductor size	Max demand recorded during the year in Amp..	Month in which max demand was recorded
	From	To						
OP City Divn. Sirsa								
1	220KV Sirsa	33KV Old Site Sirsa	3.500	33KV	Single	0.075Sq"	449.068	2/07
2	220KV Sirsa	33KV I/Area Sirsa	4.000	33KV	Single	0.075Sq"	488.892	2/07
3	132 KV Ding	33KVDing	8.000	33KV	Single	0.075Sq"	668.624	1/07
4	220 KV Sirsa	33KV Panjuana	10.000	33KV	Single	0.075Sq"	673.34	2/07
5	132KV Ding	33KV Bahudin	7.000	33KV	Single	0.075Sq"	703.208	6/06
6	132KV Odhan	33KV Kharia	19.500	33KV	Single	0.1Sq"	259.38	1/07
7	220KV Sirsa-Bahudin T-Off	33KV Kusumbhi	26.500	33KV	Single	0.075Sq"	329.072	1/07
8	220KV Sirsa-M/Singhana T-Off	33KV Dhani Kahan Singh	1.750	33KV	Single	0.075Sq"	179.208	1/07
9	220KV Sirsa-M/Singhana T-Off	33KV Sahidawali	28.500	33KV	Single	0.075Sq"	176.588	12/06
S/U Divn. Sirsa								
1	132KV Jiwan Nagar	33KV Ellenabad	12.000	33KV	Single	0.075Sq"	847.308	6/06
2	33 KV Ellenabad (Extn)	33KV Bhuratwala	13.000	33KV	Single	0.1 Sq"	449.068	5/06
3	132KV Jiwan Nagar	33KV Keharwala	17.000	33KV	Single	0.1 Sq"	468.98	1/07
4	220KV Sirsa	33KV Farwain	9.500	33KV	Single	0.125 Sq"	598.932	7/06
5	33KV Farwain (Extn.)	33KV Darbi	6.500	33KV	Single	0.075Sq"	439.112	5/06
6	132KV Begu	33KV Nathusari	18.000	33KV	Single	0.125Sq"	483.652	8/06
7	220KV Sirsa-Bahudin T-Off	33KV Rasulpur Their	1.500	33KV	Single	0.075Sq"	358.94	7/06
Dabwali Divn.								
1	132KV Assa Khera	33KV Ganga	12.500	33KV	Single	0.1Sq"	429.156	3/07
2	132KV Dabwali (Old)	33KV/Kalanwali	38.000	33KV	Single	0.075Sq"	678.58	4/06

3	132KV Odhan	33KV Rori	37.000	33KV	Single	0.075Sq"	423.916	6/06
---	-------------	-----------	--------	------	--------	----------	---------	------

12 Detail of Division Wise 11 KV Line of Sirsa Circle

City Division Sirsa

Sr. No.	Name & voltage level of originating substation	Name of 11 KV feeder	Conductor		Max demand recorded during the year 2006-07 in Amp.
			Length (in KM)	Size (in SWG)	
1	33 KV S/STN. PANJUANA				
1		Baragudha	25	3/6	200
2		Paniwala Mota	6	3/6	100
3		Mirpur	7	3/6	220
4		Kheirankan	15	3/6	250
5		MITC	20	3/6	290
6		Jhoramali	8	3/6	180
7		Bapp	20	3/6	180
8		W/W Kharian	20	3/6	100
9		Ahmedpur	7	3/6	200
10		Budha Bhana	10	3/6	200
11		Saharni	7	3/6	170
2	33 KV S/STN. I/A SIRSA				
12		Sadar gate	2	3/6	155
13		Housing Board	2	3/6	110
14		Shiv Chowk	2	3/6	140
15		Circular Road	2	3/6	190
3	33 KV OLD SITE SIRSA				
16		HISAR ROAD-II	4.5	3/6	160
17		CITY OLD SITE	8	3/6	210
18		KIRTI NAGAR	8	3/6	140
4	33 KV S/STN. BHAUDIN				
19		Dhani P. Singh	8	3/6	100
20		Sangar-I	5	3/6	270
21		VILLAGE BHAUDIN	5	3/6	20
22		Sangar-II	5	3/6	210
23		Dhani Lilu Ram	5	3/6	210
24		KOTLI (33 KV BHAUDIN)	9	3/6	150
25		BIRAN BHAUDIN	5	3/6	200
26		Nadha	6	3/6	170
27		Bhaudin	4	3/6	150
5	33 KV S/STN. DING				
28		IND HAFED	0.5	3/6	5
29		KUKAR THANA	8	3/6	110
30		JODHKAN	8	3/6	130
31		Gillan Khera	8	3/6	200
32		Mochiwal	2.5	3/6	20
33		DING	7	3/6	95
34		THEDI	5	3/6	140
35		RURAL	7	3/6	150
6	33 KV S/STN. KASUMBI				
36		Kanwarpura	6	3/6	125
37		KASUMBI	5	3/6	130
38		DHANI SUCHAN	7	3/6	110

7	33 KV S/S KHARIA				
39		KHARIA	6	3/6	225
40		JODHPURIA	7	3/6	220
8	33 KV DHANI KAHAN SINGH				
41		TITU KHERA	1.5	3/6	170
42		DHANI KAUR SINGH	4.5	3/6	100
9	33 KV S/STN. SAHIDANWALI				
43		SAHIDANWALI	11.5	3/6	175
44		NATAR	13	3/6	120
45		DHINGTANIA ROAD	10	3/6	80
10	220 KV S/STN. SIRSA				
46		HISAR ROAD-I	7	3/6	240
11	132 KV S/STN. SIRSA				
47		Mini Sectt.	4	3/6	44
48		Ring Road	9	3/6	160
49		Dabwali Road	8	3/6	125
50		IND Air Field	13	3/6	55
51		Hospital	7	3/6	160
52		MANDI	5	3/6	210
12	132 KV S/STN. DING				
53		Dhani Majra	14	3/6	250
54		Karnoli	10	3/6	180
55		Moju Khera	9	3/6	195
56		Patli Dabar	6	3/6	180
57		Narel Khera	10	3/6	155
58		Baguwali	8	3/6	200
59		Rural	11	3/6	230
13	132 KV RAM NAGRIA				
60		Nanakpur	11	80mm2,3/6SWG	
61		SALARPUR	4	80mm2,3/6SWG	280
62		Alanoor	7	80mm2,3/6SWG	180
63		Mohamodpuria	4	80mm2,3/6SWG	190
64		Bhamboor-I	9	80mm2,3/6SWG	220
65		W/Works	5	80mm2,3/6SWG	120
66		Disposal	3	80mm2,3/6SWG	130
67		Kelnia	5	80mm2,3/6SWG	120
68		Ram Nagria	5	80mm2,3/6SWG	230
14	132 KV MADHO SINGHANA				80
69		Modia Khera	6	80mm2,3/6SWG	290
70		Baruwali-II	5	80mm2,3/6SWG	190
71		Dhani Kalu Ram	6	80mm2,3/6SWG	240
72		Mangala-II	6	80mm2,3/6SWG	290
73		Mangala-I	5	80mm2,3/6SWG	160
74		Maujdeen-I	4	80mm2,3/6SWG	240
75		Maujdeen-II	7	80mm2,3/6SWG	290
76		Kotli	8	80mm2,3/6SWG	280
77		Mallekan-I	7	80mm2,3/6SWG	240
78		Mallekan-II	6	80mm2,3/6SWG	270
15	132 KV S/STN. MELA GROUND				
79		KALYAN NAGAR	3	80mm2,3/6SWG	160
80		GAUSHALA	2	80mm2,3/6SWG	120
81		DERA SACHA SAUDA	2	80mm2,3/6SWG	200
82		BHARAT NAGAR	2	80mm2,3/6SWG	170
83		SHREE JAGDAMBA	0.4	80mm2,3/6SWG	80
84		RURAL MELA GROUND	4	80mm2,3/6SWG	180

16	132 KV Begu				
85		Bhoma	11	80mm ² ,3/6SWG	140
17	132 KV Odhan				
86		Engg. College	3	3/6	10
87		Nuhianwali	10	3/6	230
88		Anand Garh	6	3/6	30

S/Urban Division Sirsa

1	33 KV S/STN. FARWAIN				
1		Panihari	12	3/6	270
2		W/Works HUDA	1.2	3/6	5
3		DARBI	12	3/6	200
4		Kasan Khera	10	3/6	180
5		Neja Della	11	3/6	280
6		RURAL	5	3/6	100
2	33 KV S/STN. DARBI				
7		Sanghar	8	3/6	160
8		Rasulpur	5	3/6	140
9		Biran	8	3/6	160
10		Sotar	6	3/6	160
3	33 KV RASULPUR THERI				
11		Theri	3	3/6	120
12		Sakar Khera	3	3/6	150
13		Dabar	3	3/6	140
4	33 KV . ELLENABAD				
14		Talwara	16	3/6	300
15		RAILWAY	7	3/6	120
16		CITY	9.5	3/6	30
17		Amritsar	12	3/6	399
18		Thobrian	11	3/6	395
5	33 KV BHURATWALA				
19		Umedpura	12	3/6	250
20		Bhuratwala	3	3/6	40
21		Musli	5	3/6	240
22		Kunthal	3	3/6	200
6	33 KV KEHARWALA				
23		Sadewala	26	3/6	246
24		Urban	3	3/6	15
25		BHUNA	28	3/6	200
26		Darewala	9	3/6	70
27		Mamera Khera	32	3/6	270
7	33 KV S/STN. NATHUSARI				
28		Kagdana	70	3/6/8	125
29		Darba	50	3/6/8	120
30		Nahrana	50	3/6/8	90
31		Shahpuria	30	3/6/8	50
32		Jamal	50	3/6/8	150
8	220 KV S/STN. SIRSA				
33		BEGU [220 KV SRS]	15	3/6	125
34		Handi Khera	9	3/6	250
35		Dhani Varecha	6	3/6	220
9	132 KV Sirsa				
36		Bajekan	10	3/6	240

10	132 KV JIWAN NAGAR				
37		Harnia	12	80mm2,3/6SWG	80
38		Dudianwali	38	80mm2,3/6SWG	300
39		Jagmalera	20	80mm2,3/6SWG	280
40		Mastan Garh	6	80mm2,3/6SWG	250
41		Bahiya	18	80mm2,3/6SWG	400
42		Mandi Jiwani Nagar	5	80mm2,3/6SWG	150
43		Haripura	5	80mm2,3/6SWG	230
44		Nakora	12	80mm2,3/6SWG	220
45		Balasar	15	80mm2,3/6SWG	300
46		Nanaksar	11	80mm2,3/6SWG	260
47		Nigrana	10	80mm2,3/6SWG	290
11	220 KV S/STN. RANIA				
48		RURAL 220 KV RANIA	6	80mm2,3/6SWG	300
49		Ottu	8	80mm2,3/6SWG	250
50		Mangalia	5	80mm2,3/6SWG	240
51		Gobindpura	7	80mm2,3/6SWG	300
52		Ram pura theri-II	10	80mm2,3/6SWG	200
53		Sultanpuria	10	80mm2,3/6SWG	280
54		Rania	4	80mm2,3/6SWG	200
55		Ram pura theri-I	6	80mm2,3/6SWG	280
56		Fatehpuria	4	80mm2,3/6SWG	300
57		Dhanoor	9	80mm2,3/6SWG	300
58		Galhshale	4	80mm2,3/6SWG	120
12	132 KV S/STN. KARIWALA				
59		Damdama	28	80mm2,3/6SWG	280
60		Bani	25	80mm2,3/6SWG	300
61		Kariwala	20	80mm2,3/6SWG	300
62		Neemwali Dhani	20	80mm2,3/6SWG	240
63		Harni	8	80mm2,3/6SWG	260
64		NEHARWALA	4	80mm2,3/6SWG	240
65		BUDANIA THER	5	80mm2,3/6SWG	220
66		Manjil Ther	15	80mm2,3/6SWG	250
67		Mandi Kariwala	5	80mm2,3/6SWG	50
68		Jagjit Nagar	20	80mm2,3/6SWG	400
13	132 KV MITHI SURERA				
69		MSR	8	80mm2,3/6SWG	190
70		Dhani Lakh Ji	7	80mm2,3/6SWG	200
71		SIRSA ROAD ELLENABAD	6	80mm2,3/6SWG	160
72		Mithanpura	48	80mm2,3/6SWG	300
73		Mithi Sureran	3	80mm2,3/6SWG	10
74		Moju Khera	11	80mm2,3/6SWG	300
75		Nohar Road	8	80mm2,3/6SWG	70
76		Budhi Meri	12	80mm2,3/6SWG	300
14	132 KV SIKANDERPUR				
77		THER	7	80mm2,3/6SWG	140
78		SIKANDERPUR	7	80mm2,3/6SWG	165
79		Vaidwala	6	80mm2,3/6SWG	145
80		Moriwala	7.5	80mm2,3/6SWG	80
81		Hospital	2.2	80mm2,3/6SWG	10
82		Hisar Road	8	80mm2,3/6SWG	150
83		Phoolkan	5	80mm2,3/6SWG	200

15	132 KV S/STN. BEGU				
84		DERA SACHA SAUDA	16	80mm2,3/6SWG	80
85		NITROGEN PLANT	1.21	80mm2,3/6SWG	20
86		BEGU (132 KV)	20	80mm2,3/6SWG	240
87		RANGRI	32	80mm2,3/6SWG	230
88		ARNIAWALI	24	80mm2,3/6SWG	210
89		CHOURBURJA	35	80mm2,3/6SWG	150
90		RURAL	20	80mm2,3/6SWG	200
16	132 KV S/Stn. Melaground				
91		Kanganpur	5	80mm2,3/6SWG	130
17	33 KV Kushumbi				
92		Sherpura	8	3/6	115

OP Divn. Dabwali

1	132 KV S/S. ODHAN				
1		Malikpura	15	3/6	200
2		Odhan	4	3/6	50
2	33 KV S/STN. KALANWALI				
3		Lakarwali	5	3/6	200
4		Jagmalwali	10	3/6	200
5		Kalanwali-II	5	3/6	130
6		Taruana	11	3/6	160
7		Kalanwali-I	18	3/6	140
3	33 KV S/STN. RORI				
8		Mattar	5	3/6	170
9		Rori/Surtia	8	3/6	140
10		Dogranwali	15	3/6	200
11		BHIMA	8	3/6	185
4	132 KV ASSA KHERA				
12		Aboobshehar	12	3/6	195
13		Chautala	10	3/6	160
14		Farm House	3	3/6	5
15		JANDWALA	12	3/6	140
5	33 KV S/STN. GANGA				
16		Bijuwali	20	3/6	370
17		Ganga	4	3/6	80
18		Goriwala	20	3/6	300
6	132 KV S/STN. DABWALI				
19		Mandi-I	7	80mm2,3/6SWG	180
20		Mandi-I I	6	80mm2,3/6SWG	200
21		Alikan	40	80mm2,3/6SWG	200
22		Jogewala	15	80mm2,3/6SWG	100
23		Mandi-III	35	80mm2,3/6SWG	170
24		Sub Station (Defence)	12		10

Total

204

13) Division wise 33KV S/Stn detail (Capacity & Max. load)

S.No.	Name of Division / S/Stn	Capacity of transformer in MVA	Voltage ratio in KV	Maximum load recorded during 2006-07	
				Amp.	MVA
I) OP. CITY DIVN SIRSA					
1	33 KV Old Site Sirsa	1x5MVA	33/11KV	260	4.95
		1x5MVA	33/11KV	210	4.00
2	33KV I.Area Sirsa	1x6.3/8MVA	33/11KV	305	5.81
		1x4MVA	33/11KV	190	3.62
3	33KV Ding	1x6.3/8MVA	33/11KV	410	7.81
		6.3MVA	33/11KV	260	4.95
4	33KV Panjuana	1x6.3/8MVA	33/11KV	380	7.24
		6.3MVA	33/11KV	295	5.62
5	33KV Bahudian	1x6.3/8MVA	33/11KV	380	7.24
		1x6.3/8MVA	33/11KV	380	7.24
6	33 KV Kharia	1x5 MVA	33/11KV	260	4.95
7	33 KV Kausumbi	6.3/8 MVA	33/11KV	370	7.05
8	33 KV Dhani Kahan Singh	6.3/8 MVA	33/11KV	180	3.43
9	33 KV Sahidawali	6.3/8 MVA	33/11KV	175	3.33

II) OP.S/U DIVN SIRSA					
10	33KV Ellenabad	1x6.3/8MVA	33/11KV	399	7.6
		1x6.3MVA	33/11KV	300	5.714286
		1x4MVA	33/11 KV	150	2.857143
11	33KV Bhuratwala	1x5MVA	33/11KV	250	4.761905
		1x4MVA	33/11KV	200	3.809524
12	33KV Keharwala	1x5MVA	33/11KV	270	5.142857
		1x4MVA	33/11KV	200	3.809524
13	33KV Farwain	1x6.3/8MVA	33/11KV	400	7.619048
		1x4MVA	33/11KV	200	3.809524
14	33KV Darbi	1x5MVA	33/11KV	250	4.761905
		1x4MVA	33/11KV	190	3.619048
15	33KV Nathusari	1x6.3/8 MVA	33/11KV	335	6.380952
		1x4MVA	33/11KV	150	2.857143
16	33KV Rasulpur Theri	1x6.3/8MVA	33/11KV	360	6.857143

III) OP.DIVN. DABWALI					
17	33KV Gunga	1x6.3MVA	33/11KV	220	4.190476
		1x4MVA	33/11KV	210	4
18	33KV Kalanwali	1x6.3/8MVA	33/11KV	380	7.238095
		1x6.3MVA	33/11KV	300	5.714286
19	33KV Rori	1x5MVA	33/11KV	225	4.285714
		1x4MVA	33/11KV	200	3.809524

Note :-All the 11 KV Feeders are running in two groups and the Max. load recorded on the power T/F is of one group.

14

Detail of 11 KV Capacitors installed under 'OP' Circle, DHBVN, Sirsa.

Sr. No.	Name of 33 KV Sub-Stations	Capacity of T/Fs. (MVA)	Voltage Ratio (KV)	Installed Capacity			Make	Capacity Defective (MVAR)	Net working capacity excluding defective (MVAR)
				Nos.	Capacity	MVAR			
OP City Divn., Sirsa									
1	33 KV Panjuana	6.3	33/11	12	0.100	1.200	Mahan Elect.	0.100	0.900
		6.3/8	33/11	12	0.150	1.800	Shreen Elect.	0.450	1.350
2	33 KV Ding	6.3	33/11	24	0.050	1.200	Khatu Jhankar	-	1.200
		6.3/8	33/11	15	0.200	3.000	Shreen Elect.	-	3.000
3	33 KV Bhaudeen	6.3/8	33/11	6	0.200	1.200	Shreen Elect.	-	1.200
		6.3/8	33/11	15	0.200	3.000	Shreen Elect.	-	3.000
4	33 KV Old Site Si	5	33/11	12	0.150	1.800	Shreen Elect.	-	1.800
		5	33/11	Capacitor not provided			-	-	
5	33 KV Kharia	5	33/11	12	0.150	1.800	Shreen Elect.	-	1.800
6	33 KV Kasumbi	6.3/8	33/11	18	0.150	2.700	Goa Pvt. Ltd.	-	2.700
7	33 KV Sahidanwa	6.3/8	33/11	18	0.150	2.700	ABB	-	2.700
8	33 KV D.Kahan S	6.3/8	33/11	18	0.150	2.700	ABB	-	2.700
9	33 KV Indl. Area	6.3/8	33/11	12	0.150	1.800	Shreen Elect.	0.450	1.350
		4	33/11	Capacitor not provided			-	-	
S/Urban Divn., Sirsa									
1	33 KV Ellenabad	4	33/11	24	0.050	1.200	Khatu Jhankar	-	1.200
		6.3	33/11	18	0.050	0.900	Khatu Jhankar	-	0.900
				3	0.084	0.252	BHEL	-	0.252
		6.3/8	33/11	Capacitor not provided			-	-	
2	33 KV Farwain	4	33/11	12	0.100	1.200	Mahan Elect.	-	1.200
		6.3/8	33/11	12	0.100	1.200	Mahan Elect.	-	1.200
3	33 KV Nathusari	6.3/8	33/11	12	0.150	1.800	Shreen Elect.	-	1.800
		4	33/11	12	0.050	0.600	Mahan Elect.	-	0.600
4	33 KV Bhuratwala	5	33/11	12	0.150	1.800	Shreen Elect.	-	1.800
		4	33/11	12	0.150	1.800	Shreen Elect.	-	1.800
5	33 KV Darbi	4	33/11	12	0.100	1.200	Mahan Elect.	-	1.200
		5	33/11	12	0.150	1.800	Shreen Elect.	-	1.800
6	33 KV Keharwala	4	33/11	24	0.050	1.200	Khatu Jhankar	-	1.200
		5	33/11	12	0.100	1.200	Mahan Elect.	-	1.200
7	33 KV Rasulpur T	6.3/8	33/11	15	0.200	3.000	Goa Pvt. Ltd.	-	3.000
OP Divn. Dabwali									
1	33 KV Kalanwali	6.3	33/11	24	0.050	1.200	Khatu Jhankar	-	1.200
		6.3/8	33/11	12	0.150	1.800	Shreem	0.450	1.350
2	33 KV Rori	5	33/11	12	0.050	0.600	Khatu Jhankar	-	0.600
		4	33/11	Capacitor not provided			-	-	-
3	33 KV Ganga	4	33/11	12	0.050	0.600	Mahan Elect.	-	0.600
		6.3	33/11	12	0.150	1.800	-	-	1.800
Total									

19